

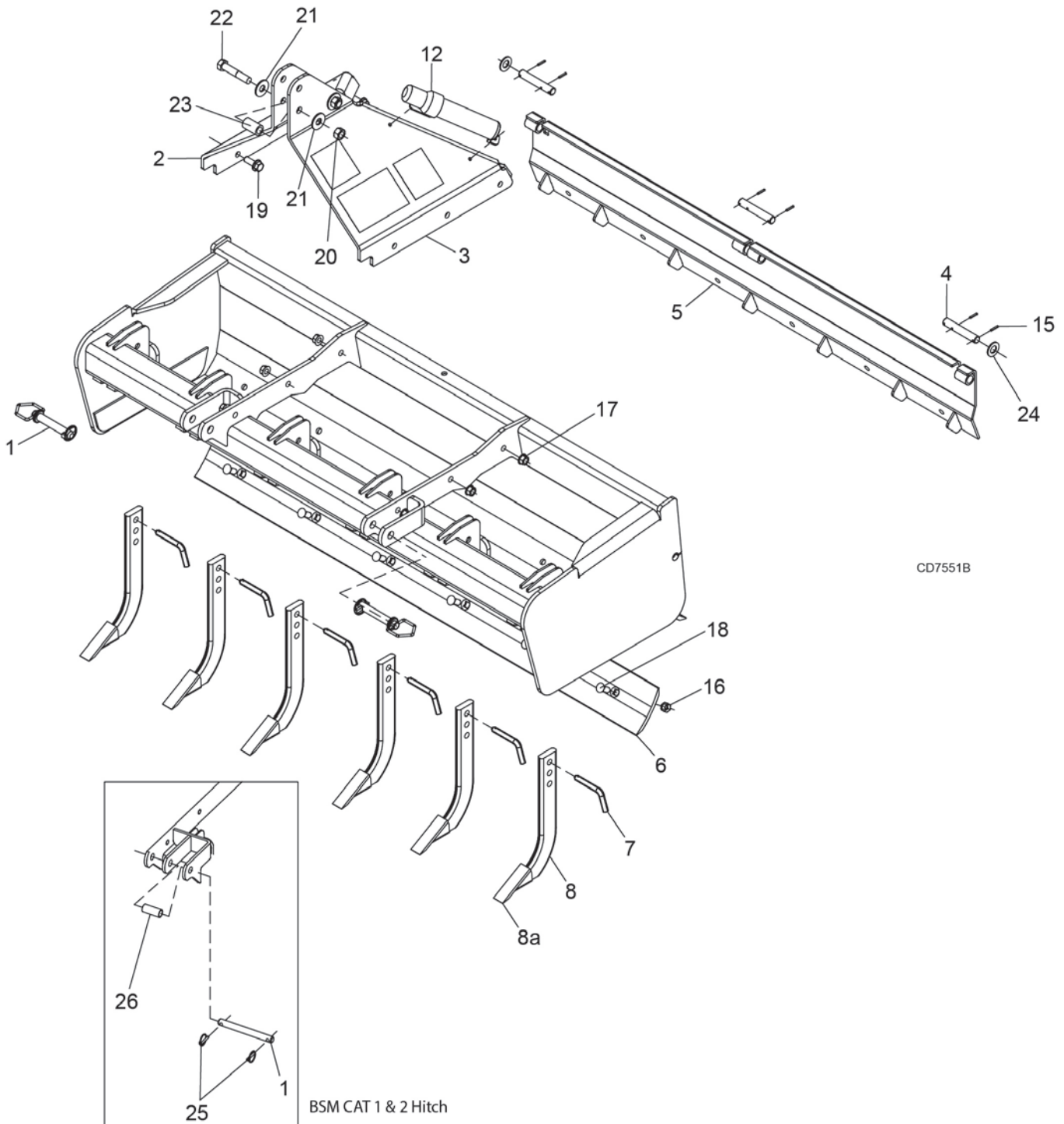


# PARTS INDEX

## Box Scrapers

BSS/BSM BOX SCRAPER.....	12
BSS/BSM BOX SCRAPER PARTS LIST.....	13

# BSS/BSM BOX SCRAPER



- 9. - Safety Decal Set
- 10. - Complete Decal Set
- 11. - Quick Hitch Cat 1 Bushing Kit

**14 Parts**

MAN1250 (3/05/2018)

# BSS/BSM BOX SCRAPER PARTS LIST

REF	BSS	BSM	QTY	DESCRIPTION	REF	BSS	BSM	QTY	DESCRIPTION
1	SU105		2	Drawbar pin w/lynch pin	8	1004635		4	Scarifier & tip (BSS54)
1		HBL233	2	Cat 2 Drawbar pin	8	1004635		5	Scarifier & tip (BSS60/BSS65)
2	1029092RP		1	Mast plate - right	8	1004635		6	Scarifier & tip (BSS72)
2		1029102RP	1	Mast plate - right	8		1035770	7	Scarifier & tip, Heavy Duty (BSM72/BSM84)
3	1029053		1	Mast plate -left	8a	1004636		A/R	Scarifier tip (replaceable)
3		1029101	1	Mast plate -left	8a		1035769	A/R	Scarifier tip, Heavy Duty
4		1029106RP	3	Tailgate pin optional	9	1003898	1003898		Safety decal set XB
5		102908672RP	1	Tailgate (BSM72) optional	10	1029113	1029113		Complete decal set
5		102908684RP	1	Tailgate (BSM84) optional	11	1023725	1023725	2	Quick Hitch Bushing Kit (Cat - 1)
6	1029062		2	Cutting edge (BSS54)	12	1026530	1026530	1	Manual tube (optional)
6	32280		2	Cutting edge (BSS60)	15		4115	2	Spring pin, 3/16 x 1-1/8
6	55316		2	Cutting edge (BSS65)	16	6239	6239	*	5/8 NC Lock nut
6	25258	25258	2	Cutting edge (BSS72/BSM72)	17	19025	19025	*	5/8 NC flange lock nut
6		46440	2	Cutting edge (BSM84)	18	25265	25265	*	5/8 NC x 1-1/2 Plow bolt
7	1005338		4	Pin w/Clip (BSS54)	19	19024	19024	*	5/8 NC x 1-3/4 HFS GR5
7	1005338		5	Pin w/Clip (BSS65)	20	2371	2371	*	3/4 NC Lock nut
7	1005338	1005338	6	Pin w/Clip (BSS72/BSM72)	21	2864	2864	*	3/4 Flat washer
7		1005338	7	Pin w/Clip (BSM84)	22	31207	31207	*	3/4 NC x 4 HHCS GR5
					23	1002018	1002018	2	Sleeve, .81 x 1.25 x 2.12
					24		W28539	2*	7/8 Flat washer
					25		27542	4	7/16 Lynch pin
					26		56598	2	Sleeve, Cat 2 adapter

HFS Hex Flange Screw  
 HHCS Hex Head Cap Screw  
 A/R As Required  
 NS Not Shown  
 \* Standard hardware, obtain locally

# BOLT TORQUE CHART

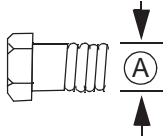
Always tighten hardware to these values unless a different torque value or tightening procedure is listed for a specific application.

Fasteners must always be replaced with the same grade as specified in the manual parts list.

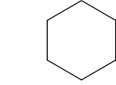
Always use the proper tool for tightening hardware: SAE for SAE hardware and Metric for metric hardware.

Make sure fastener threads are clean and you start thread engagement properly.

All torque values are given to specifications used on hardware defined by SAE J1701 MAR 99 & J1701M JUL 96.



## SAE SERIES TORQUE CHART



SAE Grade 2  
(No Dashes)

SAE Bolt Head Identification

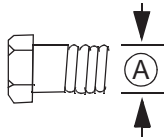


SAE Grade 5  
(3 Radial Dashes)



SAE Grade 8  
(6 Radial Dashes)

Ⓐ Diameter (Inches)	Wrench Size	MARKING ON HEAD					
		SAE 2		SAE 5		SAE 8	
		lbs-ft	N-m	lbs-ft	N-m	lbs-ft	N-m
1/4"	7/16"	6	8	10	13	14	18
5/16"	1/2"	12	17	19	26	27	37
3/8"	9/16"	23	31	35	47	49	67
7/16"	5/8"	36	48	55	75	78	106
1/2"	3/4"	55	75	85	115	120	163
9/16"	13/16"	78	106	121	164	171	232
5/8"	15/16"	110	149	170	230	240	325
3/4"	1-1/8"	192	261	297	403	420	569
7/8"	1-5/16"	306	416	474	642	669	907
1"	1-1/2"	467	634	722	979	1020	1383



## METRIC SERIES TORQUE CHART



Metric  
Grade 8.8

Metric Bolt Head Identification

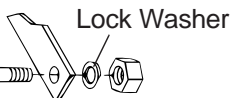


Metric  
Grade 10.9

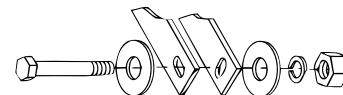
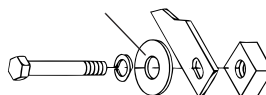
Ⓐ Diameter & Thread Pitch (Millimeters)	Wrench Size	Coarse Thread				Fine Thread				Ⓐ Diameter & Thread Pitch (Millimeters)
		Marking on Head				Marking on Head				
		Metric 8.8		Metric 10.9		Metric 8.8		Metric 10.9		
		N-m	lbs-ft	N-m	lbs-ft	N-m	lbs-ft	N-m	lbs-ft	
6 x 1.0	10 mm	8	6	11	8	8	6	11	8	6 x 1.0
8 x 1.25	13 mm	20	15	27	20	21	16	29	22	8 x 1.0
10 x 1.5	16 mm	39	29	54	40	41	30	57	42	10 x 1.25
12 x 1.75	18 mm	68	50	94	70	75	55	103	76	12 x 1.25
14 x 2.0	21 mm	109	80	151	111	118	87	163	120	14 x 1.5
16 x 2.0	24 mm	169	125	234	173	181	133	250	184	16 x 1.5
18 x 2.5	27 mm	234	172	323	239	263	194	363	268	18 x 1.5
20 x 2.5	30 mm	330	244	457	337	367	270	507	374	20 x 1.5
22 x 2.5	34 mm	451	332	623	460	495	365	684	505	22 x 1.5
24 x 3.0	36 mm	571	421	790	583	623	459	861	635	24 x 2.0
30 x 3.0	46 mm	1175	867	1626	1199	1258	928	1740	1283	30 x 2.0

### Typical Washer Installations

: 1:1



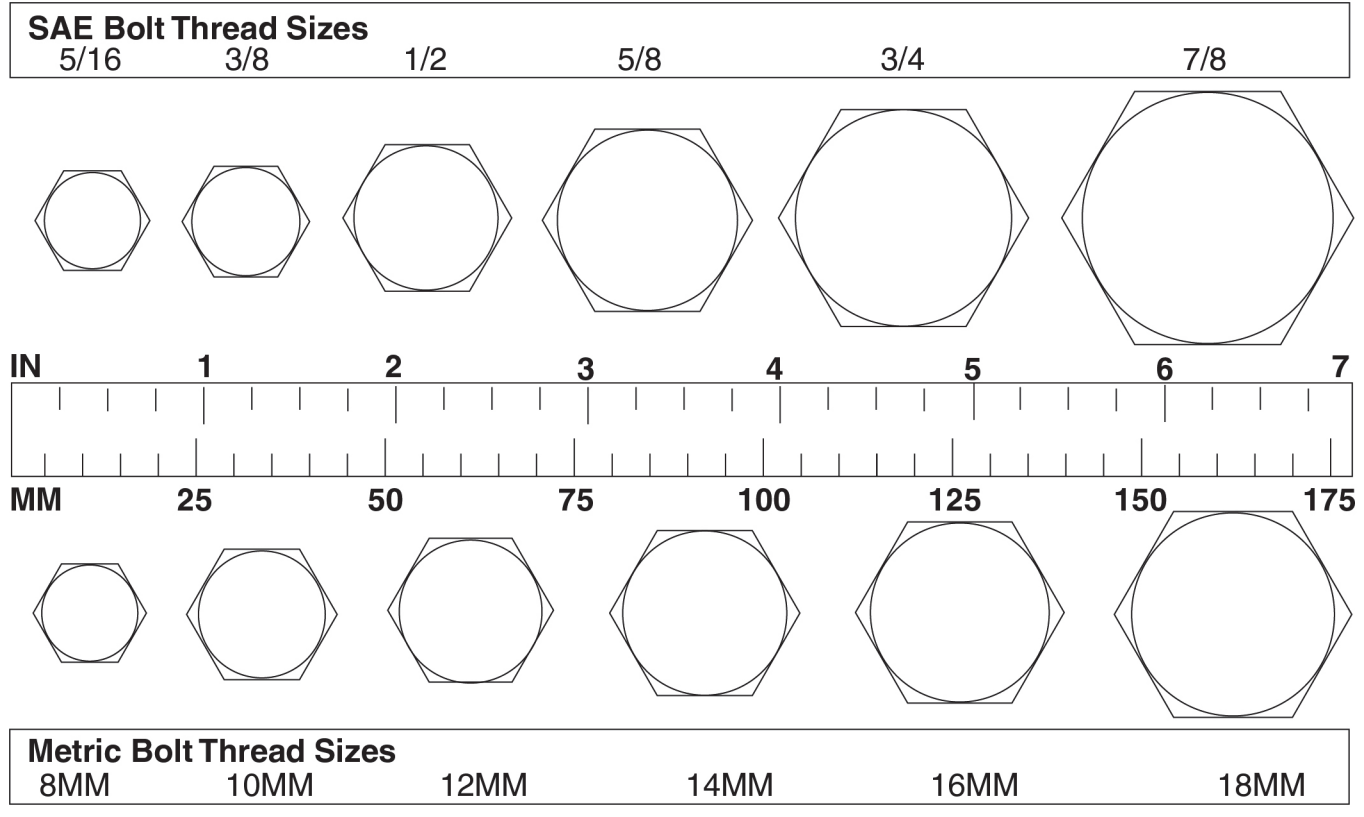
Flat Washer



8/9/00

# BOLT SIZE CHART

NOTE: Chart shows bolt thread sizes and corresponding head (wrench) sizes for standard SAE and metric bolts.



## ABBREVIATIONS

AG.....Agriculture	MPa.....Mega Pascal
ASABE..... American Society of Agricultural & Biological Engineers (formerly ASAE)	N..... Newton
ASAE..... American Society of Agricultural Engineers	NC..... National Coarse
ATF.....Automatic Transmission Fluid	NF..... National Fine
BSPP..... British Standard Pipe Parallel	NPSM..... National Pipe Straight Mechanical
BSPTM..... British Standard Pipe Tapered Male	NPT.....National Pipe Tapered
CV..... Constant Velocity	NPT SWF..... National Pipe Tapered Swivel Female
CCW..... Counter-Clockwise	ORBM..... O-Ring Boss - Male
CW..... Clockwise	P..... Pitch
F..... Female	PBY..... Power-Beyond
FT..... Full Thread	psi.....Pounds per Square Inch
GA..... Gauge	PTO..... Power Take Off
GR (5, etc.)..... Grade (5, etc.)	QD..... Quick Disconnect
HHCS..... Hex Head Cap Screw	RH..... Right Hand
HT..... Heat-Treated	ROPS..... Roll-Over Protective Structure
JIC..... Joint Industry Council 37° Flare	RPM..... Revolutions Per Minute
LH..... Left Hand	RT..... Right
LT..... Left	SAE..... Society of Automotive Engineers
m..... Meter	UNC..... Unified Coarse
mm..... Millimeter	UNF..... Unified Fine
M..... Male	UNS..... Unified Special



# WARRANTY

All Models Except Mow'n Machine™ Zero-Turn Mowers

Please Enter Information Below and Save for Future Reference.

Date Purchased: \_\_\_\_\_ From (Dealer): \_\_\_\_\_  
Model Number: \_\_\_\_\_ Serial Number: \_\_\_\_\_

Woods Equipment Company ("WOODS") warrants this product to be free from defect in material and workmanship. Except as otherwise set forth below, the duration of this Warranty shall be for TWELVE (12) MONTHS COMMENCING ON THE DATE OF DELIVERY OF THE PRODUCT TO THE ORIGINAL PURCHASER.

All current model backhoes, loaders and mounts (except 3-pt. SAF-T-LOK® mounts) are warranted for two (2) years from the date of delivery to the original purchaser. The limited warranty covers any defects in the material and/or workmanship. Following the proper, recommended installation by an authorized Woods Dealer and normal use of a Woods mounting and backhoe or loader, if a tractor incurs damage resulting from the attachment, Woods will cover the existing tractor warranty in the event the manufacturer voids its tractor warranty because of the attachment. Warranty does not cover any misuse or abusive conditions that could cause premature wear or damage to attachment or tractor.

The warranty periods for specific parts or conditions are listed below:

Part or Condition Warranted	Model Number	Duration (from date of delivery to the original purchaser)
<b>All units invoiced after 4/30/2012</b>		
Gearbox components	BB48X, BB60X, BB72X, BB84X, BB600X, BB720X, BB840X, BB6000X, BB7200X, BB8400X, DS12.50, TS14.60, DS1440, TS1680, DS8.30, DS10.40, DS8.50, DSO8.50, DS10.50, DSO10.50, DBH5.30, DBH6.30	6 years
	BW12, BW15, BW126X, BW180X, BW126XHD, BW180XHD, BW1260X, BW1800X, BW10.50, BW10.50Q, BW15.50, BW15.50Q, BW15.60, BW15.60Q, BW10.60, BW10.60Q	
	BW240X, BW240XHD, BW1620X, BW2400X	
	RD990X, PRD6000, PRD7200, PRD8400, S15CD, S20CD, S22CD, S25CD, S27CD, S30CD, TC/R74, TC/R68, TC/R60, TBW144, TBW180, TBW204, TSG50, S12ED, S15ED, S18ED, S20ED, TPD25, TPD35, TPD65, TPD95	3 years (1 year if used in rental or commercial applications)
RDC54, RD60, RD72, TBW150C, TS/R60, TS/R52, TS/R44, RC3.5, RC4, RC5, RC6		
Blade spindles	RD990X, PRD6000, PRD7200, PRD8400, TBW144, TBW180, TBW204	3 years

Under no circumstances will this Warranty apply in the event that the product, in the good faith opinion of WOODS, has been subjected to improper operation, improper maintenance, misuse, or an accident. This Warranty does not apply in the event that the product has been materially modified or repaired by someone other than WOODS, a WOODS authorized dealer or distributor, and/or a WOODS authorized service center. This Warranty does not cover normal wear or tear, or normal maintenance items. This Warranty also does not cover repairs made with parts other than those obtainable through WOODS.

This Warranty is extended solely to the original purchaser of the product. Should the original purchaser sell or otherwise transfer this product to a third party, this Warranty does not transfer to the third party purchaser in any way. There are no third party beneficiaries of this Warranty.

WOODS makes no warranty, express or implied, with respect to engines, batteries, tires or other parts or accessories not manufactured by WOODS. Warranties for these items, if any, are provided separately by their respective manufacturers.

WOODS' obligation under this Warranty is limited to, at WOODS' option, the repair or replacement, free of charge, of the product if WOODS, in its sole discretion, deems it to be defective or in noncompliance with this Warranty. **The product must be returned to WOODS with proof of purchase within thirty (30) days after such defect or noncompliance is discovered or should have been discovered, routed through the dealer and distributor from whom the purchase was made, transportation charges prepaid.** WOODS shall complete such repair or replacement within a reasonable time after WOODS receives the product. THERE ARE NO OTHER REMEDIES UNDER THIS WARRANTY. THE REMEDY OF REPAIR OR REPLACEMENT IS THE SOLE AND EXCLUSIVE REMEDY UNDER THIS WARRANTY.

THERE ARE NO WARRANTIES WHICH EXTEND BEYOND THE DESCRIPTION ON THE FACE OF THIS WARRANTY. WOODS MAKES NO OTHER WARRANTY, EXPRESS OR IMPLIED, AND WOODS SPECIFICALLY DISCLAIMS ANY IMPLIED WARRANTY OF MERCHANTABILITY AND/OR ANY IMPLIED WARRANTY OF FITNESS FOR A PARTICULAR PURPOSE.

**WOODS shall not be liable for any incidental or consequential losses, damages or expenses, arising directly or indirectly from the product, whether such claim is based upon breach of contract, breach of warranty, negligence, strict liability in tort or any other legal theory.** Without limiting the generality of the foregoing, Woods specifically disclaims any damages relating to (i) lost profits, business, revenues or goodwill; (ii) loss of crops; (iii) loss because of delay in harvesting; (iv) any expense or loss incurred for labor, supplies, substitute machinery or rental; or (v) any other type of damage to property or economic loss.

This Warranty is subject to any existing conditions of supply which may directly affect WOODS' ability to obtain materials or manufacture replacement parts.

No agent, representative, dealer, distributor, serviceperson, salesperson, or employee of any company, including without limitation, WOODS, its authorized dealers, distributors, and service centers, is authorized to alter, modify, or enlarge this Warranty. Answers to any questions regarding warranty service and locations may be obtained by

<p><b>ALITEC™</b> <b>CENTRAL FABRICATORS®</b> <b>GANNON®</b> <b>WAIN-ROY®</b> <b>WOODS®</b></p>	<p><b>BLOUNT EUROPE SA</b> Rue Emile Francqui 5 1435 MONT-SANT-GUIBERT Belgium +32 10 301111 tel woodsequipment.eu</p>	<p><b>WOODS®</b>   A Blount International Brand 2606 South Illinois Route 2 Post Office Box 1000 Oregon, Illinois 61061 USA 800-319-6637 tel 800-399-6637 fax woodsequipment.com</p>
---	--	--



## WARRANTY

(Replacement Parts For All Models Except Mow'n Machine™  
Zero-Turn Mowers and Woods Boundary™ Utility Vehicles)

Woods Equipment Company ("WOODS") warrants this product to be free from defect in material and workmanship for a period of ninety (90) days from the date of delivery of the product to the original purchaser with the exception of V-belts, which will be free of defect in material and workmanship for a period of 12 months.

Under no circumstances will this Warranty apply in the event that the product, in the good faith opinion of WOODS, has been subjected to improper operation, improper maintenance, misuse, or an accident. This Warranty does not cover normal wear or tear, or normal maintenance items.

This Warranty is extended solely to the original purchaser of the product. Should the original purchaser sell or otherwise transfer this product to a third party, this Warranty does not transfer to the third party purchaser in any way. There are no third party beneficiaries of this Warranty.

WOODS' obligation under this Warranty is limited to, at WOODS' option, the repair or replacement, free of charge, of the product if WOODS, in its sole discretion, deems it to be defective or in noncompliance with this Warranty. **The product must be returned to WOODS with proof of purchase within thirty (30) days after such defect or noncompliance is discovered or should have been discovered, routed through the dealer and distributor from whom the purchase was made, transportation charges prepaid.** WOODS shall complete such repair or replacement within a reasonable time after WOODS receives the product. THERE ARE NO OTHER REMEDIES UNDER THIS WARRANTY. THE REMEDY OF REPAIR OR REPLACEMENT IS THE SOLE AND EXCLUSIVE REMEDY UNDER THIS WARRANTY.

THERE ARE NO WARRANTIES WHICH EXTEND BEYOND THE DESCRIPTION ON THE FACE OF THIS WARRANTY. WOODS MAKES NO OTHER WARRANTY, EXPRESS OR IMPLIED, AND WOODS SPECIFICALLY DISCLAIMS ANY IMPLIED WARRANTY OF MERCHANTABILITY AND/OR ANY IMPLIED WARRANTY OF FITNESS FOR A PARTICULAR PURPOSE.

**WOODS shall not be liable for any incidental or consequential losses, damages or expenses, arising directly or indirectly from the product, whether such claim is based upon breach of contract, breach of warranty, negligence, strict liability in tort or any other legal theory.** Without limiting the generality of the foregoing, Woods specifically disclaims any damages relating to (i) lost profits, business, revenues or goodwill; (ii) loss of crops; (iii) loss because of delay in harvesting; (iv) any expense or loss incurred for labor, supplies, substitute machinery or rental; or (v) any other type of damage to property or economic loss.

This Warranty is subject to any existing conditions of supply which may directly affect WOODS' ability to obtain materials or manufacture replacement parts.

No agent, representative, dealer, distributor, service person, salesperson, or employee of any company, including without limitation, WOODS, its authorized dealers, distributors, and service centers, is authorized to alter, modify, or enlarge this Warranty.

Answers to any questions regarding warranty service and locations may be obtained by contacting:

**WOODS®** | A Blount International Brand

2606 South Illinois Route 2  
Post Office Box 1000  
Oregon, Illinois 61061 USA  
800-319-6637 tel  
800-399-6637 fax  
woodsequipment.com

**BLOUNT EUROPE SA**

Rue Emile Francqui 5  
1435 MONT-SANT-GUIBERT  
Belgium  
+32 10 301111 tel  
woodsequipment.eu

**ALITEC™**  
**CENTRAL FABRICATORS®**  
**GANNON®**  
**WAIN-ROY®**  
**WOODS®**