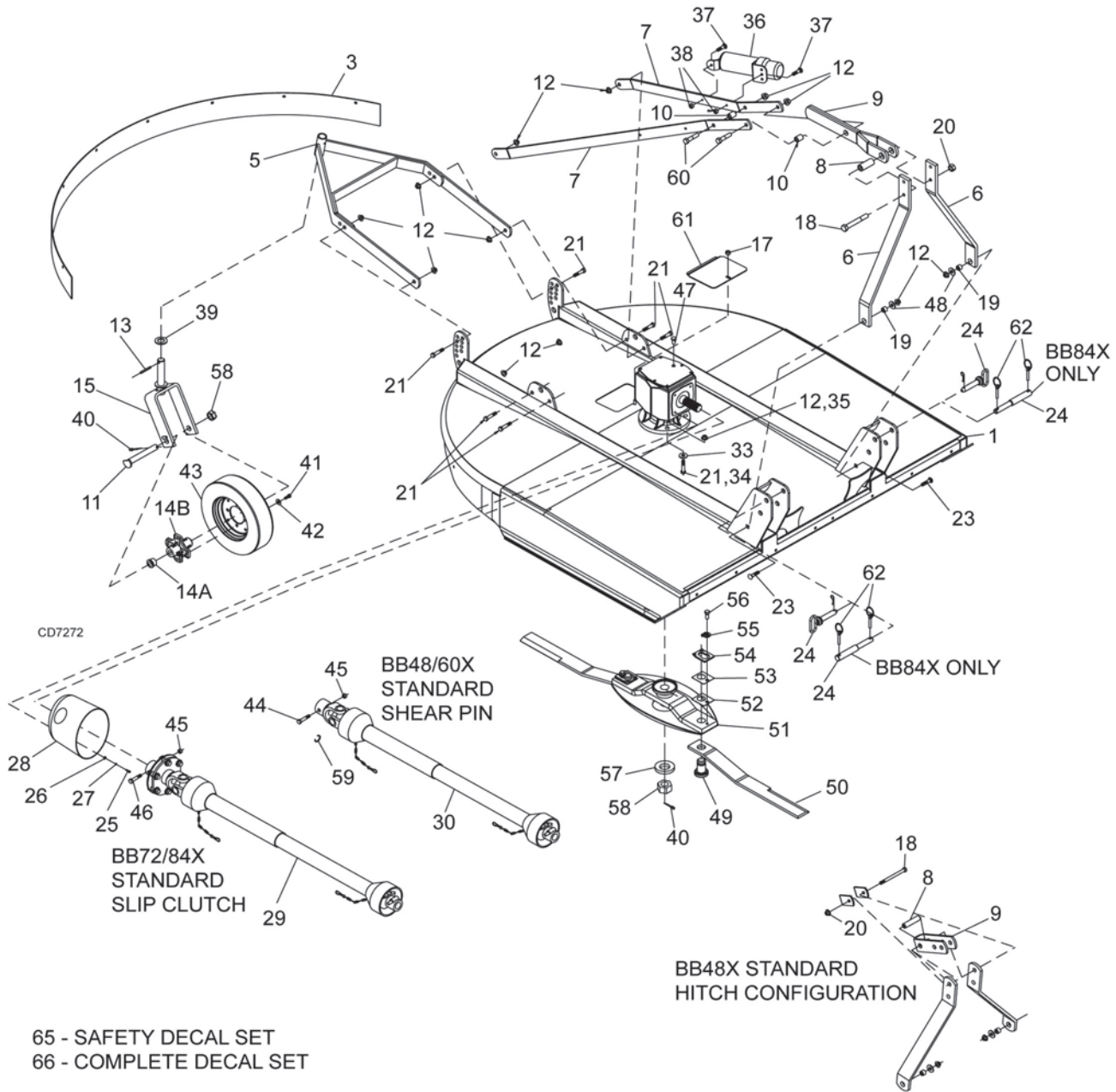


**BRUSHBULL™**  
**Rotary Cutters:**  
**BB48XE**  
**BB60XE**  
**BB72XE**  
**BB84XE**

BRUSHBULL™ STANDARD-DUTY MAIN ASSEMBLY .....	30-31
GEARBOX ASSEMBLY .....	32-33
CHECK CHAIN ASSEMBLY (OPTIONAL) .....	33
FRONT RUBBER SHIELDING (STANDARD).....	34
FRONT & REAR CHAIN SHIELDING (OPTIONAL) .....	35
DRIVELINES (OBTAIN LOCALLY)	

## BRUSHBULL STANDARD-DUTY MAIN ASSEMBLY BB48XE, BB60XE, BB72XE & BB84XE (BB84XE SHOWN)



REF	PART	QTY	DESCRIPTION
3	57236RP	1	Rear band - <b>BB48XE</b>
3	57210RP	1	Rear band - <b>BB60XE</b>
3	57183RP	1	Rear band - <b>BB72XE</b>
3	57184RP	1	Rear band - <b>BB84XE</b>
5	57162RP	1	Tailwheel assembly
6	1021569RP	2	A-Frame bar <b>BB48XE</b>
6	1023059RP	2	A-Frame bar <b>BB60XE</b>
6	1021556RP	2	A-Frame bar <b>BB72XE</b>
6	1024123RP	2	A-Frame bar <b>BB84XE</b>
7	57239RP	2	Diagonal brace <b>BB48XE</b>
7	1023060RP	2	Diagonal brace <b>BB60XE</b>
7	1021559RP	2	Diagonal brace <b>BB72XE</b>

REF	PART	QTY	DESCRIPTION
7	1023044RP	2	Diagonal brace <b>BB84XE</b>
8	64814	1	Spacer 1/2 x 2-3/4 (12.7 x 69.9 mm) <b>BB48XE</b>
8	27140RP	1	Sleeve, 3/4 x 1-1/4 x 3 (19.1 x 31.8 x 76.2 mm) <b>BB60XE, BB72XE, BB84XE</b>

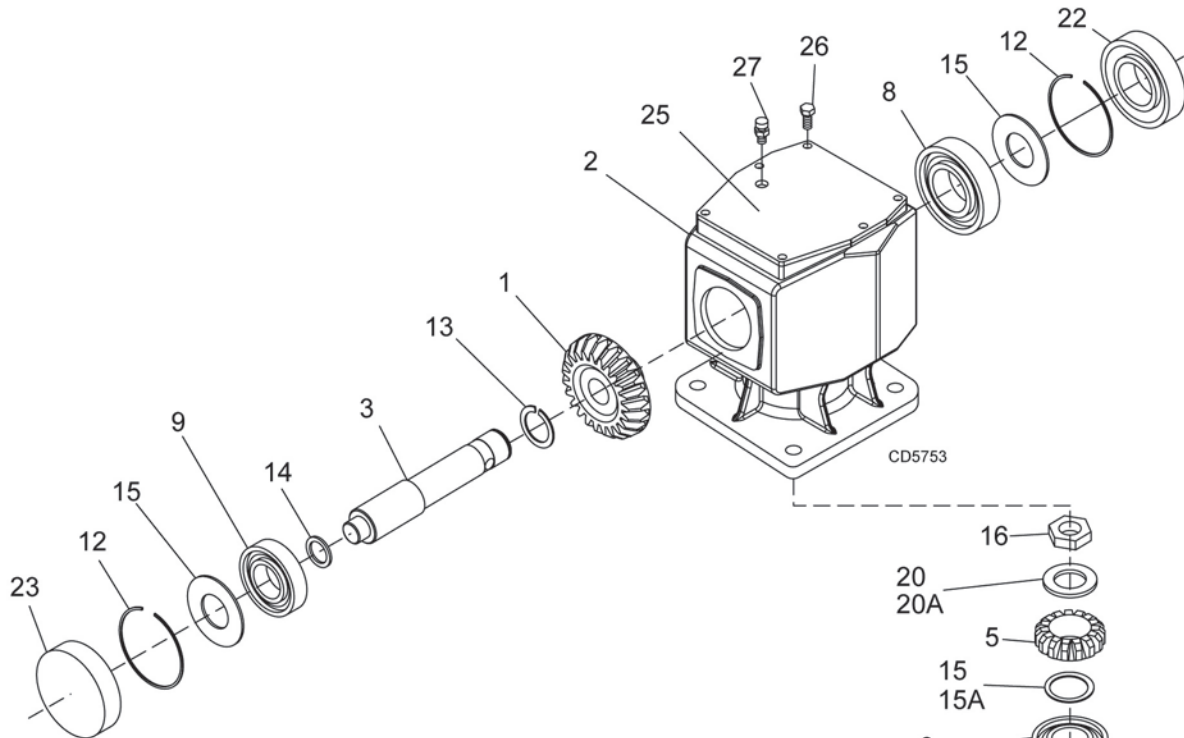
**30 Parts**

MAN1254 (3/16/2018)

## BB48XE, BB60XE, BB72XE & BB84XE MAIN ASSEMBLY PARTS LIST

REF	PART	QTY	DESCRIPTION	REF	PART	QTY	DESCRIPTION
9	15321RP	1	Link, bent .38 x 2.5 x 9.13 (9.7 x 63.5 x 231.9 mm) <b>BB48XE</b>	38	4529RP*	2	5/16 NC Hex nut
9	1021560RP	2	Top link <b>BB60XE, BB72XE, BB84XE</b>	39	*	1	Washer, 33 mm x 56 mm x 4 mm
10	66661RP	2	Sleeve, .626 x 1.00 x 1.26 (15.9 x 25.4 x 32.0 mm) <b>BB60XE, BB72XE, BB84XE</b>	40	*	2	Cotter pin
11	1013878	1	M24 x 2 x 192 Spindle bolt	41	23029	4	M12-1.75P x 25 Cap screw
12	19025RP*	14	5/8 NC Flange lock nut	42	*	4	M12 Flat washer
13	40775	1	Spirol pin 10 mm x 65 mm	43	4676	1	4 x 15 (101.6 x 381 mm) Notat tire & rim
14A	1013880	2	Bushing, flanged .984 x 1.378 x .98 (24.9 x 35 x 24.9 mm)	44	15349	1	Shear bolt GR2, 1/2 NC x 3 (12.7 x 76.2 mm)
14B	1013879	1	Cast iron wheel hub	45	765*	2	1/2 NC Lock nut
15	1013220	1	Tailwheel clevis	46	1024632	1	1/2 NC x 3 (12.7 x 76.2 mm) Cap screw GR8 - Clutch
16	6697*	8	3/8 NC x 1 Carriage bolt GR5	47	57076	1	Vent plug, (See Gearbox, page 32)
17	14350RP	9	3/8 NC Flange lock nut	48	692RP*	2	5/8 Flat washer
18	23479RP*	1	1/2 NC x 5 Cap screw GR5 <b>BB48XE</b>	49	15803RP	2	Blade pin - <b>BB48XE &amp; BB60XE</b>
18	29315	1	Cap screw GR5, 3/4 NC x 5-1/2 (19.05 x 139.7 mm) <b>BB60XE, B72XE, BB84XE</b>	49	1009199RP	2	Blade pin - <b>BB72XE &amp; BB84XE</b>
19	1791RP	2	Sleeve HT, 5/8 x 1 x 9/16 (15.9 x 25.4 x 14.9 mm) <b>BB48XE, BB60XE</b>	50	30310KTRP	1	Blade kit, 3/8 x 3 x 16 CCW - <b>BB48XE</b>
19	67222RP	2	Sleeve HT, 5/8 x 1 x 43/64 (15.9 x 25.4 x 17.1 mm) <b>BB72XE, BB84XE</b>	50	15326KT	1	Blade kit, 3/8 x 3 x 20.50 CCW - <b>BB60XE</b>
20	11900RPN	2	1/2 NC Flange lock nut ( <b>BB48XE</b> Quick Hitch)	50	57189KTRP	1	Blade kit, 1/2 x 3 x 26.5 CCW - <b>BB72XE &amp; BB84XE</b>
20	2371RP	1	3/4 NC Lock nut ZP ( <b>BB60XE, BB72XE, BB84XE</b> )	51	1021562	1	Crossbar asy <b>BB48XE, BB60XE, BB72XE</b>
21	902RP*	10	5/8 x 2 Cap screw GR5	51	1021571	1	Crossbar asy <b>BB84XE</b>
22	10380*	1	1/2 NC x 4 Cap screw GR5 ( <b>BB48XE</b> Quick Hitch)	52	13946RP	2	20 GA 1-1/2 Blade shim
23	2855RP*	2	5/8 x 2 Carriage bolt GR5	53	10520RP	2	18 GA 1-1/2 Blade shim
24	1023033RP	2	Hitch pin .875 x 5.02 (22.2 x 127.51 mm) <b>BB48XE, BB60XE, BB72XE</b>	54	32603RP	2	Keyhole plate
24	1021574	2	Step pin, Cat. 1 or 2 <b>BB84XE</b>	55	32604RP	2	Blade pin lock clip, special
25	24801RP	4	M8 x 1.25P x 20 mm Cap screw	56	6100RP*	2	1/2 NC x 1-1/4 GR5 Cap screw
26	35155RP*	4	5/16 Flat washer	57	20893	1	Washer, 25 x 44 x 4 mm ( <b>BB48XE, BB60XE, BB72XE</b> )
27	2472RP*	4	5/16 Lock washer	57	39322	1	Washer, 31 x 56 x 4 mm <b>BB84XE</b>
28	1002048RP	1	Clutch shield, 100 x 143 mm BC	58	20892RP	2	Castle nut metric, M24 x 2 - <b>BB48XE, BB60XE, BB84XE</b>
29	-----	1	Complete slip clutch drive asy - ( <b>Obtain Locally</b> )	58	39323	1	Castle nut metric, M30 x 2 <b>BB84XE</b>
30	-----	1	Complete shear pin drive asy - ( <b>Obtain Locally</b> )	59	15345	1	Retaining ring, .05 x 1.38 (1.27 x 35.05 mm)
32	33657N	1	Sleeve, 1/2 x 3/4 x 2-13/16 (12.7 x 19.1 x 71.4 mm) ( <b>BB48XE</b> Quick Hitch)	60	986RP*	2	5/8 NC x 2-3/4 Cap Screw GR5 - <b>BB60XE, BB72XE, BB84XE</b>
33	57817RP	4	5/8 Flat washer, hardened <b>BB48XE, BB60XE, BB72XE</b>	61	57050RP	1	Bent link, .14 x 9.0 x 7.84 (3.56 x 225.6 x 199.1 mm)
33	57798RP	4	3/4 Flat washer, hardened <b>BB84XE</b>	62	27542RP	4	7/16 x 11/32 (11.1 x 8.73 mm) Klik pin HT
34	30068RP	4	3/4 NC x 2-1/2 Cap screw GR5 ZP <b>BB84XE</b>	65	15358	1	Safety decal set
35	302207	4	3/4 NC Flange lock nut ZP	66	1000624	1	Complete decal set
36	1003828RP	1	Manual tube				* Standard hardware; obtain locally
37	24409RP*	2	5/16 NC x 1 Carriage bolt				NS Not Shown

# GEARBOX ASSEMBLY



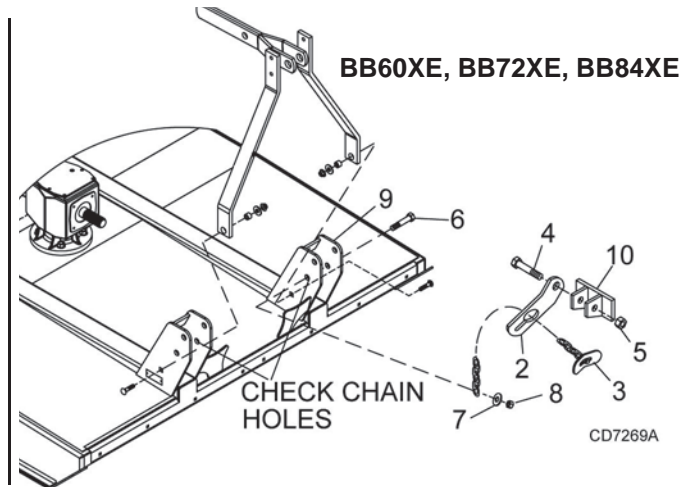
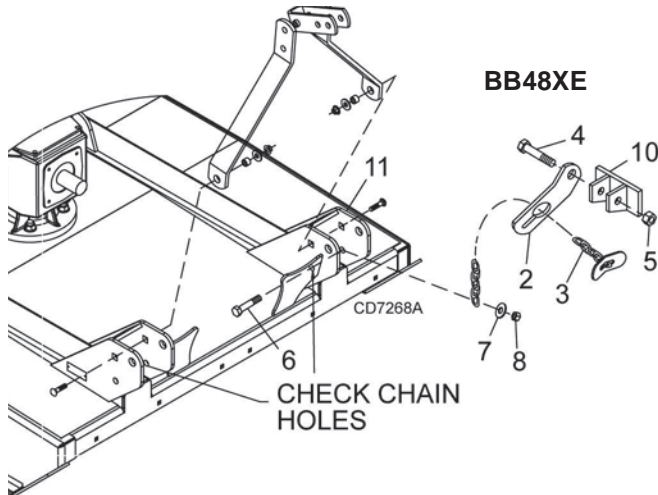
REF	PART	QTY	DESCRIPTION
A	58800	1	Gearbox repair asy ( <b>BB48XE</b> )
A	58801	1	Gearbox repair asy ( <b>BB60XE</b> )
A	58802	1	Gearbox repair asy ( <b>BB72XE</b> )
A	58803	1	Gearbox repair asy ( <b>BB84XE</b> )
1	57458	1	Gear, crown 25T ( <b>BB48XE</b> )
1	57459	1	Gear, crown 24T ( <b>BB60XE</b> )
1	57460	1	Gear, crown 22T ( <b>BB72XE</b> )
1	39424	1	Gear, crown 19T ( <b>BB84XE</b> )
2	NSS	1	Gearbox housing
3	57464	1	Input shaft 1-3/8 smooth shaft ( <b>BB48XE &amp; BB60XE</b> )
3	57465	1	Input shaft 1-3/8 - 6 spline ( <b>BB72XE</b> )
3	57147	1	Input shaft 1-3/8 - 6 spline ( <b>BB84XE</b> )
4	57489	1	Output shaft ( <b>BB48XE &amp; BB60XE</b> )
4	57490	1	Output shaft ( <b>BB72XE</b> )
4	57191	1	Output shaft ( <b>BB84XE</b> )
5	57491	1	Gear, pinion 13T M5.3 ( <b>BB48XE</b> )
5	57497	1	Gear, pinion 14T M5.3 ( <b>BB60XE</b> )
5	57498	1	Gear, pinion 15T M5.7 ( <b>BB72XE</b> )
5	39418	1	Gear, pinion 15T M6.5 ( <b>BB84XE</b> )
6	57476	1	Bearing cup & cone ( <b>BB48XE &amp; BB60XE</b> )
6	39257	1	Bearing cup & cone ( <b>BB72XE</b> )
6	39263	1	Bearing cup & cone ( <b>BB84XE</b> )
7	57478	1	Bearing cup & cone ( <b>BB48XE, BB60XE, BB72XE</b> )
7	39263	1	Bearing cup & cone ( <b>BB84XE</b> )
8	57462	1	Bearing cup & cone

(Continued on next page)

## GEARBOX ASSEMBLY PARTS LIST (Continued)

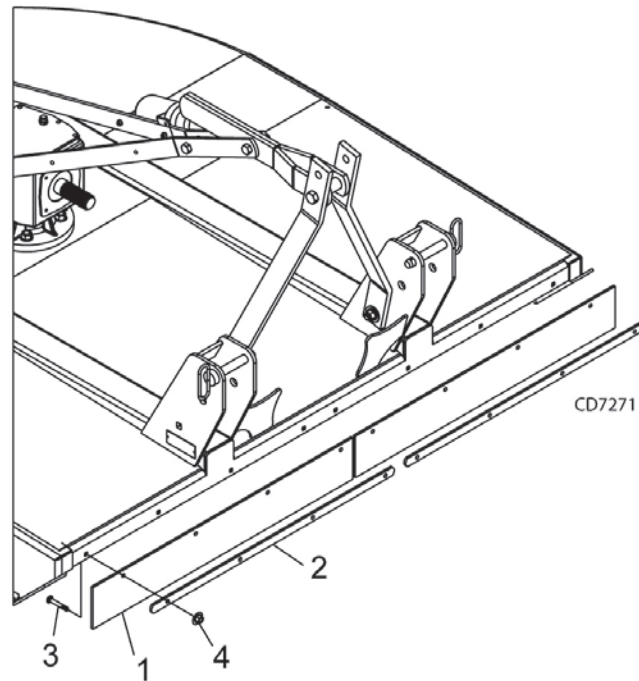
REF	PART	QTY	DESCRIPTION	REF	PART	QTY	DESCRIPTION
9	20890	1	Bearing-Ball	20A	57094	1	Shim kit 44 x 30.3 x 1 ( <b>BB84XE</b> )
10	20897	1	Ring retainer 81 mm internal ( <b>BB48XE, BB60XE, BB72XE</b> )	20	57473	1	Flat washer 21 x 37 x 3 ( <b>BB48XE &amp; BB60XE</b> )
11	*	1	Cotter pin	20	57474	1	Flat washer 25 x 48 x 2.5 ( <b>BB72XE</b> )
12	57466	2	Snap ring	21	20900	1	Seal, metric 40 x 80 x 12 ( <b>BB48XE, BB60XE, BB72XE</b> )
13	20895	1	Snap ring ( <b>BB48XE, BB60XE, BB72XE</b> )	21	39289RP	1	Dust lip 50 x 90 x 10 ( <b>BB84XE</b> )
14	57373	1	Spacer 35.3 x 48 x 2.5 ( <b>BB48XE, BB60XE, BB72XE</b> )	22	57463	1	Oil seal 35 x 72 x 10
15	57328	2	Gearbox shim kit	23	57374	1	Oil cap
15A	57471	1	Shim kit 50.3 x 70.3 ( <b>BB84XE</b> )	25	57375	1	Top cover ( <b>BB48XE &amp; 60XE</b> )
16	57468	1	Castle nut ( <b>BB48XE &amp; BB60XE</b> )	25	57376	1	Top cover ( <b>BB72XE</b> )
16	57469	1	Castle nut ( <b>BB72XE</b> )	25	57139	1	Top cover ( <b>BB84XE</b> )
16	39261	1	Castle nut ( <b>BB84XE</b> )	26	*	6	M8 x 16 Hex head cap screw CL8.8 ( <b>BB48XE, BB60XE, BB72XE</b> )
17	20892RP	1	Castle nut metric M24 x 2 ( <b>BB48XE, BB60XE, BB72XE</b> )	26	*	6	M8 x 14 Hex head cap screw CL8.8 ( <b>BB84XE</b> )
17	39323	1	Castle nut metric M30 x 2 ( <b>BB84XE</b> )	27	57076	1	Vent plug 1/2 NPT
18	20893	1	Washer 25 x 44 x 4 mm ( <b>BB48XE, BB60XE, BB72XE</b> )	28	*	1	Cotter pin
18	39322	1	Washer 31 x 56 x 4 mm ( <b>BB84XE</b> )				NSS Not Serviced Separately
19	20888	1	Protective washer ( <b>BB48XE, BB60XE, BB72XE</b> )				* Standard hardware, obtain locally
19A	57338	1	Screen protection ( <b>BB84XE</b> )				

### CHECK CHAIN ASSEMBLY (OPTIONAL)



REF	PART	QTY	DESCRIPTION	REF	PART	QTY	DESCRIPTION
A	10521	1	Check chain complete	7	3632	*	5/8 Standard flat washer
2	7906RP	2	Check chain bracket, lower	8	6239RP	*	5/8 NC Hex nut
3	18048	2	3/8 Chain, 32-Link and check lug	9	-----		Mast plate <b>BB60XE, BB72XE, BB84XE</b>
4	2377RP	*	3/4 NC x 6 Hex head cap screw GR5	10	-----		Tractor top link bracket
5	2371RP	*	3/4 NC Hex lock nut	11	-----		Mast plate <b>BB48XE</b>
6	12274	*	5/8 NC x 2-1/4 Hex head cap screw GR5				* Standard hardware, obtain locally

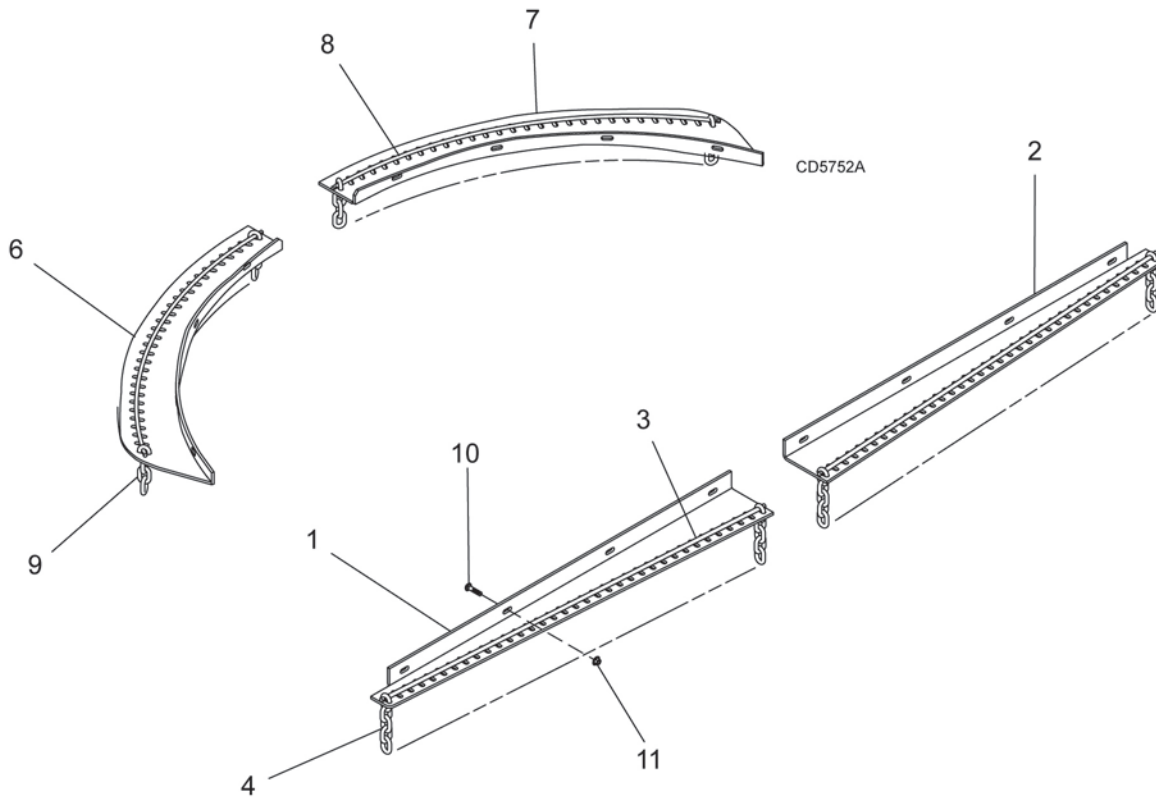
## FRONT RUBBER SHIELDING (STANDARD)



REF	PART	QTY	DESCRIPTION
A	1013207	1	Rubber shield kit (1.22 m) - <b>BB48XE</b> (includes items 1-4)
A	1013208RP	1	Rubber shield kit 5 ft (1.52 m) - <b>BB60XE</b> (includes items 1-4)
A	1013209RP	1	Rubber shield kit 6 ft (1.83 m) - <b>BB72XE</b> (includes items 1-4)
A	1013210	1	Rubber shield kit 7 ft (2.13 m) - <b>BB84XE</b> (includes items 1-4)
1	1004128RP	2	Rubber deflector 25.25 (641.4 mm) - <b>BB48XE</b>
1	1004129RP	2	Rubber deflector 31.25 (793.8 mm) - <b>BB60XE</b>
1	1004130RP	2	Rubber deflector 37.25 (946.2 mm) - <b>BB72XE</b>
1	1004131	2	Rubber deflector 43.25 (1098.6 mm) - <b>BB84XE</b>
2	1013213RP	2	Link .25 x 1.00 x 21.50 (6.4 x 25.4 x 546.1 mm) - <b>BB48XE</b>
2	1013214RP	2	Link .25 x 1.00 x 28.75 (6.4 x 25.4 x 730.3 mm) - <b>BB60XE</b>
2	1013215RP	2	Link .25 x 1.00 x 34.75 (6.4 x 25.4 x 882.7 mm) - <b>BB72XE</b>
2	1013216	2	Link .25 x 1.00 x 40.50 (6.4 x 25.4 x 1028.7 mm) - <b>BB84XE</b>
3	6697RP *	8	3/8 NC x 1 Carriage bolt
4	14350RP	8	3/8 NC Flange hex nut

\* Standard hardware; obtain locally

## FRONT & REAR CHAIN SHIELDING (OPTIONAL)



REF	QTY	PART BB48XE	PART BB60XE	PART BB72XE	PART BB84XE	DESCRIPTION
1	1	57246RP	57143RP	57090RP	57128	Right front chain plate
2	1	57254RP	57144RP	57091RP	57127	Left front chain plate
3	2	1003643	1003645	1007850	1007851	.243 Dia. bent pin (front)
4	AR	5496	5496	5496	5496	5/16 - 7 Link chain (front)
6	1	57248RP	57142RP	57088RP	57125RP	Right rear chain plate
7	1	57247RP	57141RP	57089RP	57149RP	Left rear chain plate
8	2	57249	57138	57085	57146	.243 Dia. rolled bent pin (rear)
9	AR	4069	4069	4069	4069	5/16 - 4 Link chain (rear)
10	16	6697RP*	6697RP*	6697RP*	6697RP*	3/8 NC x 1 Carriage bolt
11	16	14350RP	14350RP	14350RP	14350RP	3/8 NC Flange hex nut

AR As Required

\* Standard hardware, obtain locally

# BOLT TORQUE CHART

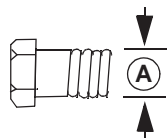
Always tighten hardware to these values unless a different torque value or tightening procedure is listed for a specific application.

Fasteners must always be replaced with the same grade as specified in the manual parts list.

Always use the proper tool for tightening hardware: SAE for SAE hardware and Metric for metric hardware.

Make sure fastener threads are clean and you start thread engagement properly.

All torque values are given to specifications used on hardware defined by SAE J1701 MAR 99 & J1701M JUL 96.



## SAE SERIES TORQUE CHART



SAE Grade 2  
(No Dashes)

SAE Bolt Head Identification

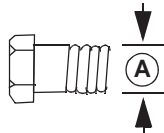


SAE Grade 5  
(3 Radial Dashes)



SAE Grade 8  
(6 Radial Dashes)

Ⓐ Diameter (Inches)	Wrench Size	MARKING ON HEAD					
		SAE 2		SAE 5		SAE 8	
		lbs-ft	N-m	lbs-ft	N-m	lbs-ft	N-m
1/4"	7/16"	6	8	10	13	14	18
5/16"	1/2"	12	17	19	26	27	37
3/8"	9/16"	23	31	35	47	49	67
7/16"	5/8"	36	48	55	75	78	106
1/2"	3/4"	55	75	85	115	120	163
9/16"	13/16"	78	106	121	164	171	232
5/8"	15/16"	110	149	170	230	240	325
3/4"	1-1/8"	192	261	297	403	420	569
7/8"	1-5/16"	306	416	474	642	669	907
1"	1-1/2"	467	634	722	979	1020	1383



## METRIC SERIES TORQUE CHART



Metric  
Grade 8.8

Metric Bolt Head Identification



Metric  
Grade 10.9

Ⓐ Diameter & Thread Pitch (Millimeters)	Wrench Size	COARSE THREAD				FINE THREAD				Ⓐ Diameter & Thread Pitch (Millimeters)
		MARKING ON HEAD				MARKING ON HEAD				
		Metric 8.8		Metric 10.9		Metric 8.8		Metric 10.9		
		N-m	lbs-ft	N-m	lbs-ft	N-m	lbs-ft	N-m	lbs-ft	
6 x 1.0	10 mm	8	6	11	8	8	6	11	8	6 x 1.0
8 x 1.25	13 mm	20	15	27	20	21	16	29	22	8 x 1.0
10 x 1.5	16 mm	39	29	54	40	41	30	57	42	10 x 1.25
12 x 1.75	18 mm	68	50	94	70	75	55	103	76	12 x 1.25
14 x 2.0	21 mm	109	80	151	111	118	87	163	120	14 x 1.5
16 x 2.0	24 mm	169	125	234	173	181	133	250	184	16 x 1.5
18 x 2.5	27 mm	234	172	323	239	263	194	363	268	18 x 1.5
20 x 2.5	30 mm	330	244	457	337	367	270	507	374	20 x 1.5
22 x 2.5	34 mm	451	332	623	460	495	365	684	505	22 x 1.5
24 x 3.0	36 mm	571	421	790	583	623	459	861	635	24 x 2.0
30 x 3.0	46 mm	1175	867	1626	1199	1258	928	1740	1283	30 x 2.0

### Typical Washer Installations



### Flat Washer

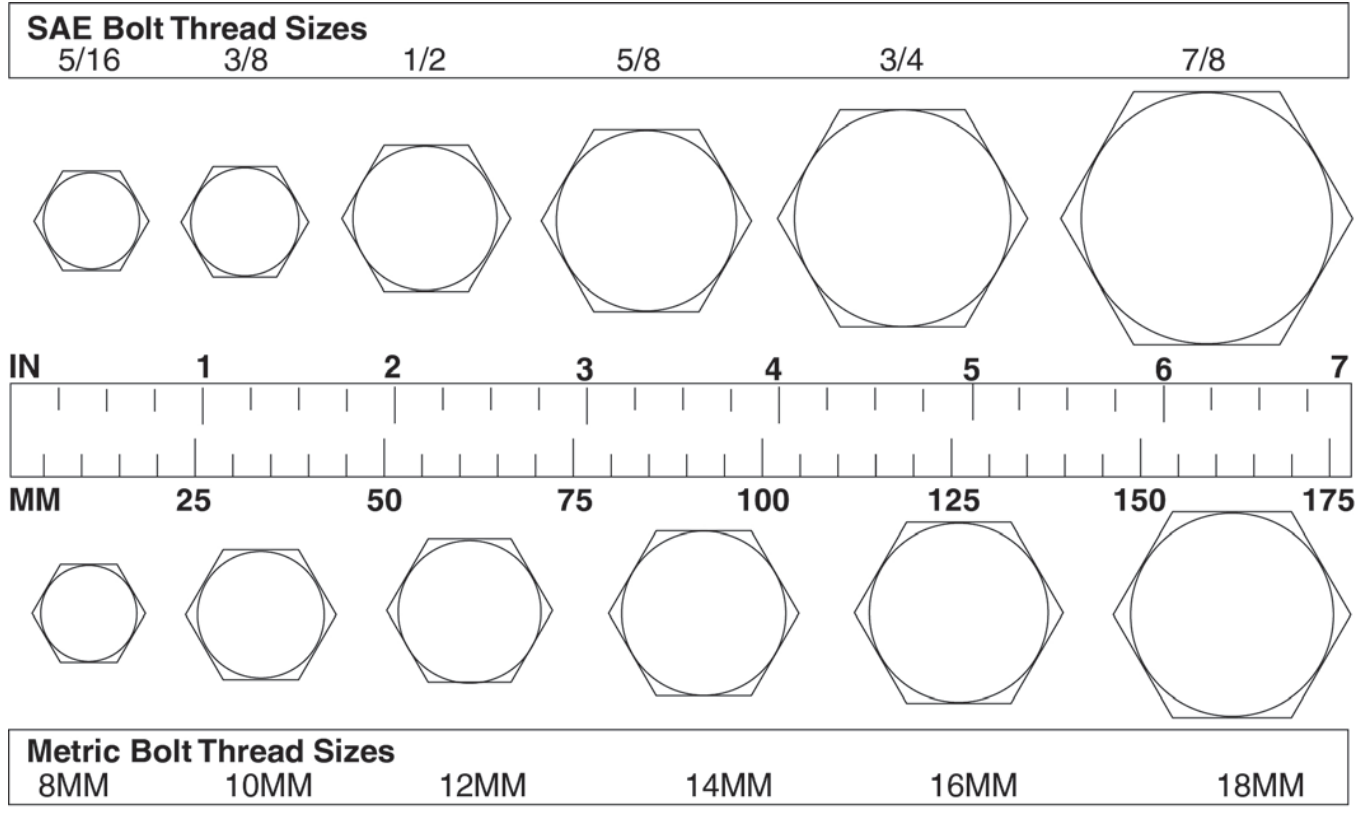


Hcv Y



# BOLT SIZE CHART

**NOTE:** Chart shows bolt thread sizes and corresponding head (wrench) sizes for standard SAE and metric bolts.



## ABBREVIATIONS

AG .....	Agriculture	MPa.....	Mega Pascal
ASABE.....	American Society of Agricultural & Biological Engineers (formerly ASAE)	N.....	Newton
ASAE .....	American Society of Agricultural Engineers	NC .....	National Coarse
ATF .....	Automatic Transmission Fluid	NF .....	National Fine
BSPP .....	British Standard Pipe Parallel	NPSM.....	National Pipe Straight Mechanical
BSPTM .....	British Standard Pipe Tapered Male	NPT .....	National Pipe Tapered
CV.....	Constant Velocity	NPT SWF .....	National Pipe Tapered Swivel Female
CCW .....	Counter-Clockwise	ORB.....	O-Ring Boss - Male
CW.....	Clockwise	P.....	Pitch
F .....	Female	PBY .....	Power-Beyond
FT .....	Full Thread	psi.....	Pounds per Square Inch
GA .....	Gauge	PTO.....	Power Take Off
GR (5, etc.) .....	Grade (5, etc.)	QD.....	Quick Disconnect
HHCS .....	Hex Head Cap Screw	RH.....	Right Hand
HT .....	Heat-Treated	ROPS .....	Roll-Over Protective Structure
JIC .....	Joint Industry Council 37° Degree Flare	RPM .....	Revolutions Per Minute
LH.....	Left Hand	RT .....	Right
LT .....	Left	SAE .....	Society of Automotive Engineers
m.....	Meter	UNC .....	Unified Coarse
mm.....	Millimeter	UNF.....	Unified Fine
M.....	Male	UNS.....	Unified Special

# INDEX

## A

### ASSEMBLY

Dealer Set-Up Instructions 23

## D

### DEALER CHECK LISTS

Delivery (Dealer's Responsibility) 22

Pre-Delivery (Dealer's Responsibility) 22

### DEALER SERVICE

#### Crossbar

Installation 20

Removal 19

#### Gearbox Maintenance 17

Horizontal Leak Repair 17

Seal Installation 17

Seal Replacement 17

Vertical Shaft Repair 17

#### Gearbox Repair

Disassemble Gearbox 18

Reassemble Gearbox 18

Reinstall Gearbox 18

Remove Gearbox 18

#### Universal Joint

Assembly 22

Disassembly 21

Repair 21

## G

### GENERAL

Abbreviations 37

Bolt Size Chart 37

Bolt Torque Chart 36

General Information 3

Introduction 2

Obtaining Replacement Manuals 2

Product Registration 2

Specifications 3

Table of Contents 3

#### Warranty

Product 39

Replacement Parts 40

## O

### OPERATION

#### Adjustments

Attitude 11

Check Chains 11

Cutting Height 11

Shredding 11

#### Attaching Cutter to Tractor

BB48XE

Attachment 8

Quick Hitch 9

Top Link Adjustment 8

BB60XE, BB72XE, BB84XE Quick Hitch 10

Standard Hitch 10

#### Driveline

Attachment 10

Interference Check 11

PTO Installation & Removal 15

Shortening 10

Mowing Speed 8

Operating Technique 12

Pre-Operation Check List (Owner's Responsibility)

12

Storage 12

Tractor Stability 8

### OWNER SERVICE

#### Blade

Installation 14

Removal 14

Servicing 14

Sharpening 14

Blocking Method 13

#### Cleaning

After Each Use 16

Periodically or Before Extended Storage 16

Driveline Shear Bolt Replacement 15

Lubrication Information 13

Driveline 13

Gearbox 13

Lubrication Chart 13

Shielding Repair 16

Slip Clutch Adjustment 14

## P

### PARTS

Index to Parts Lists 29

## S

### SAFETY

#### Check Lists

Delivery (Dealer's Responsibility) 22

Pre-Delivery (Dealer's Responsibility) 22

Pre-Operation (Owner's Responsibility) 12

Declaration of Conformity 7

Safety & Instructional Decals 5, 6

Safety Rules 4

Safety Symbol Explanation 2

## T

### TROUBLESHOOTING

Mowing Conditions 25

# WARRANTY

All Models Except Mow'n Machine™ Zero-Turn Mowers

Please Enter Information Below and Save for Future Reference.

Date Purchased: \_\_\_\_\_ From (Dealer): \_\_\_\_\_

Model Number: \_\_\_\_\_ Serial Number: \_\_\_\_\_

Woods Equipment Company ("WOODS") warrants this product to be free from defect in material and workmanship. Except as otherwise set forth below, the duration of this Warranty shall be for TWELVE (12) MONTHS COMMENCING ON THE DATE OF DELIVERY OF THE PRODUCT TO THE ORIGINAL PURCHASER.

All current model backhoes, loaders and mounts (except 3-pt. SAF-T-LOK® mounts) are warranted for two (2) years from the date of delivery to the original purchaser. The limited warranty covers any defects in the material and/or workmanship. Following the proper, recommended installation by an authorized Woods Dealer and normal use of a Woods mounting and backhoe or loader, if a tractor incurs damage resulting from the attachment, Woods will cover the existing tractor warranty in the event the manufacturer voids its tractor warranty because of the attachment. Warranty does not cover any misuse or abusive conditions that could cause premature wear or damage to attachment or tractor.

The warranty periods for specific parts or conditions are listed below:

Part or Condition Warranted	Model Number	Duration (from date of delivery to the original purchaser)
<b>All units invoiced after 4/30/2012</b>		
Gearbox components	BB48X, BB60X, BB72X, BB84X, BB600X, BB720X, BB840X, BB6000X, BB7200X, BB8400X, DS12.50, TS14.60, DS1440, TS1680, DS8.30, DS10.40, DS8.50, DSO8.50, DS10.50, DSO10.50, DBH5.30, DBH6.30	6 years
	BW12, BW15, BW126X, BW180X, BW126XHD, BW180XHD, BW1260X, BW1800X, BW10.50, BW10.50Q, BW15.50, BW15.50Q, BW15.60, BW15.60Q, BW10.60, BW10.60Q	
	BW240X, BW240XHD, BW1620X, BW2400X	
	RD990X, PRD6000, PRD7200, PRD8400, S15CD, S20CD, S22CD, S25CD, S27CD, S30CD, TC/R74, TC/R68, TC/R60, TBW144, TBW180, TBW204, TSG50, S12ED, S15ED, S18ED, S20ED, TPD25, TPD35, TPD65, TPD95	3 years (1 year if used in rental or commercial applications)
RDC54, RD60, RD72, TBW150C, TS/R60, TS/R52, TS/R44, RC3.5, RC4, RC5, RC6		
Blade spindles	RD990X, PRD6000, PRD7200, PRD8400, TBW144, TBW180, TBW204	3 years

Under no circumstances will this Warranty apply in the event that the product, in the good faith opinion of WOODS, has been subjected to improper operation, improper maintenance, misuse, or an accident. This Warranty does not apply in the event that the product has been materially modified or repaired by someone other than WOODS, a WOODS authorized dealer or distributor, and/or a WOODS authorized service center. This Warranty does not cover normal wear or tear, or normal maintenance items. This Warranty also does not cover repairs made with parts other than those obtainable through WOODS.

This Warranty is extended solely to the original purchaser of the product. Should the original purchaser sell or otherwise transfer this product to a third party, this Warranty does not transfer to the third party purchaser in any way. There are no third party beneficiaries of this Warranty.

WOODS makes no warranty, express or implied, with respect to engines, batteries, tires or other parts or accessories not manufactured by WOODS. Warranties for these items, if any, are provided separately by their respective manufacturers.

WOODS' obligation under this Warranty is limited to, at WOODS' option, the repair or replacement, free of charge, of the product if WOODS, in its sole discretion, deems it to be defective or in noncompliance with this Warranty. **The product must be returned to WOODS with proof of purchase within thirty (30) days after such defect or noncompliance is discovered or should have been discovered, routed through the dealer and distributor from whom the purchase was made, transportation charges prepaid.** WOODS shall complete such repair or replacement within a reasonable time after WOODS receives the product. THERE ARE NO OTHER REMEDIES UNDER THIS WARRANTY. THE REMEDY OF REPAIR OR REPLACEMENT IS THE SOLE AND EXCLUSIVE REMEDY UNDER THIS WARRANTY.

THERE ARE NO WARRANTIES WHICH EXTEND BEYOND THE DESCRIPTION ON THE FACE OF THIS WARRANTY. WOODS MAKES NO OTHER WARRANTY, EXPRESS OR IMPLIED, AND WOODS SPECIFICALLY DISCLAIMS ANY IMPLIED WARRANTY OF MERCHANTABILITY AND/OR ANY IMPLIED WARRANTY OF FITNESS FOR A PARTICULAR PURPOSE.

**WOODS shall not be liable for any incidental or consequential losses, damages or expenses, arising directly or indirectly from the product, whether such claim is based upon breach of contract, breach of warranty, negligence, strict liability in tort or any other legal theory.** Without limiting the generality of the foregoing, Woods specifically disclaims any damages relating to (i) lost profits, business, revenues or goodwill; (ii) loss of crops; (iii) loss because of delay in harvesting; (iv) any expense or loss incurred for labor, supplies, substitute machinery or rental; or (v) any other type of damage to property or economic loss.

This Warranty is subject to any existing conditions of supply which may directly affect WOODS' ability to obtain materials or manufacture replacement parts.

No agent, representative, dealer, distributor, serviceperson, salesperson, or employee of any company, including without limitation, WOODS, its authorized dealers, distributors, and service centers, is authorized to alter, modify, or enlarge this Warranty. Answers to any questions regarding warranty service and locations may be obtained by contacting:

**WOODS® | A Blount International Brand**

2606 South Illinois Route 2  
Post Office Box 1000  
Oregon, Illinois 61061 USA

800-319-6637 tel  
800-399-6637 fax  
woodsequipment.com

**BLOUNT EUROPE SA**

Rue Emile Francqui 5  
1435 MONT-SANT-GUIBERT  
Belgium

+32 10 301111 tel  
woodsequipment.eu

**ALITEC™**  
**CENTRAL FABRICATORS®**  
**GANNON®**  
**WAIN-ROY®**  
**WOODS®**



# WARRANTY

(Replacement Parts For All Models Except Mow'n Machine™  
Zero-Turn Mowers and Woods Boundary™ Utility Vehicles)

Woods Equipment Company ("WOODS") warrants this product to be free from defect in material and workmanship for a period of ninety (90) days from the date of delivery of the product to the original purchaser with the exception of V-belts, which will be free of defect in material and workmanship for a period of 12 months.

Under no circumstances will this Warranty apply in the event that the product, in the good faith opinion of WOODS, has been subjected to improper operation, improper maintenance, misuse, or an accident. This Warranty does not cover normal wear or tear, or normal maintenance items.

This Warranty is extended solely to the original purchaser of the product. Should the original purchaser sell or otherwise transfer this product to a third party, this Warranty does not transfer to the third party purchaser in any way. There are no third party beneficiaries of this Warranty.

WOODS' obligation under this Warranty is limited to, at WOODS' option, the repair or replacement, free of charge, of the product if WOODS, in its sole discretion, deems it to be defective or in noncompliance with this Warranty. **The product must be returned to WOODS with proof of purchase within thirty (30) days after such defect or noncompliance is discovered or should have been discovered, routed through the dealer and distributor from whom the purchase was made, transportation charges prepaid.** WOODS shall complete such repair or replacement within a reasonable time after WOODS receives the product. THERE ARE NO OTHER REMEDIES UNDER THIS WARRANTY. THE REMEDY OF REPAIR OR REPLACEMENT IS THE SOLE AND EXCLUSIVE REMEDY UNDER THIS WARRANTY.

THERE ARE NO WARRANTIES WHICH EXTEND BEYOND THE DESCRIPTION ON THE FACE OF THIS WARRANTY. WOODS MAKES NO OTHER WARRANTY, EXPRESS OR IMPLIED, AND WOODS SPECIFICALLY DISCLAIMS ANY IMPLIED WARRANTY OF MERCHANTABILITY AND/OR ANY IMPLIED WARRANTY OF FITNESS FOR A PARTICULAR PURPOSE.

**WOODS shall not be liable for any incidental or consequential losses, damages or expenses, arising directly or indirectly from the product, whether such claim is based upon breach of contract, breach of warranty, negligence, strict liability in tort or any other legal theory.** Without limiting the generality of the foregoing, Woods specifically disclaims any damages relating to (i) lost profits, business, revenues or goodwill; (ii) loss of crops; (iii) loss because of delay in harvesting; (iv) any expense or loss incurred for labor, supplies, substitute machinery or rental; or (v) any other type of damage to property or economic loss.

This Warranty is subject to any existing conditions of supply which may directly affect WOODS' ability to obtain materials or manufacture replacement parts.

No agent, representative, dealer, distributor, service person, salesperson, or employee of any company, including without limitation, WOODS, its authorized dealers, distributors, and service centers, is authorized to alter, modify, or enlarge this Warranty.

Answers to any questions regarding warranty service and locations may be obtained by contacting:

**ALITEC™**  
**CENTRAL FABRICATORS®**  
**GANNON®**  
**WAIN-ROY®**  
**WOODS®**

**BLOUNT EUROPE SA**  
Rue Emile Francqui 5  
1435 MONT-SANT-GUIBERT  
Belgium  
+32 10 301111 tel  
woodsequipment.eu

**WOODS®** | A Blount International Brand  
2606 South Illinois Route 2  
Post Office Box 1000  
Oregon, Illinois 61061 USA  
800-319-6637 tel  
800-399-6637 fax  
woodsequipment.com