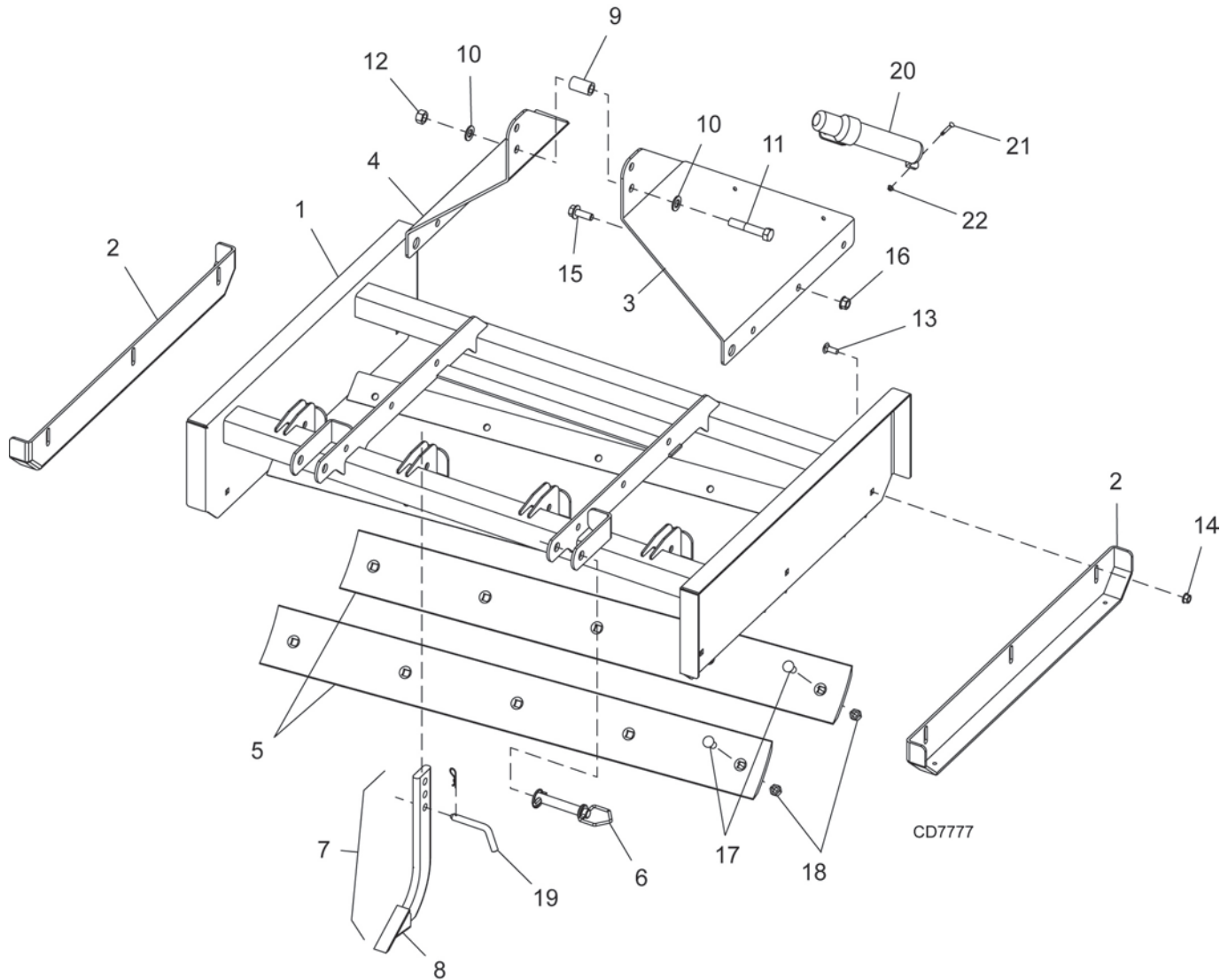


GSS54E GRADING SCRAPER

(Model Without Scarifiers Not Shown)



CD7777

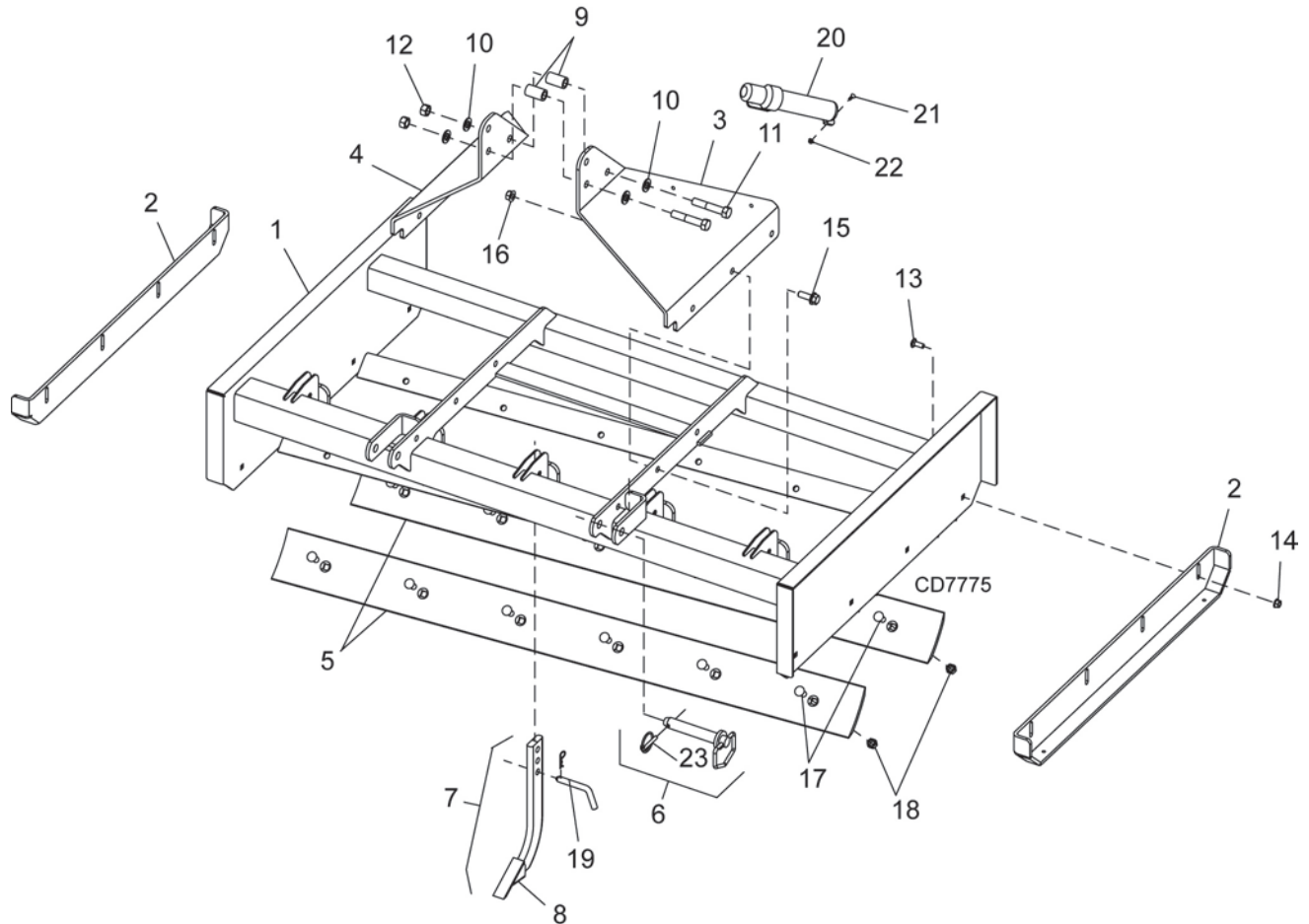
REF	PART	QTY	DESCRIPTION	REF	PART	QTY	DESCRIPTION
1		1	Grading Scraper Frame (Not Serviced Separately)	14	11900RP	*	1/2 NC Flange Lock Nut
2	1033037RP	2	Side Skid	15	19024	*	5/8 NC x 1-3/4 Hex Flange Screw
3	1033371	1	Mast Plate - Left	16	19025RP	*	5/8 NC Flange Lock Nut
4	1033374	1	Mast Plate - Right	17	25265	*	5/8 NC x 1-1/2 Plow Bolt
5	1029062	2	Cutting Edge (GSS54E)	18	6239RP	*	5/8 NC Hex Lock Nut
6	SU105	2	Cat 1 Drawbar Pin w/ Lynch Pin	19	1005338	4	Pin, Bent 5/8 x 3 w/ Clip (GSS54E)
7	1004635	4	Scarifier & Tip Assembly (GSS54E)	20	1026530RP	1	Operator's Manual Holder (not included)
8	1004636	-	Scarifier Tip	21	51243	*	5/16 NC x 1 GR5 Carriage Bolt
9	1002018	1	Sleeve .81 x 1.25 x 2.12	22	73163	*	5/16 NC Whiz Nut
10	2864	*	3/4 SAE Flat Washer				
11	31207	*	3/4 NC x 4 Hex Head Cap Screw GR5				
12	2371RP	*	3/4 NC Hex Lock Nut			*	Standard Hardware, Obtain Locally
13	301109	*	1/2 NC x 1-1/4 GR5 Carriage Bolt				

16 Parts

MAN1252 (4/6/2018)

GSS60E & GSS72E GRADING SCRAPER

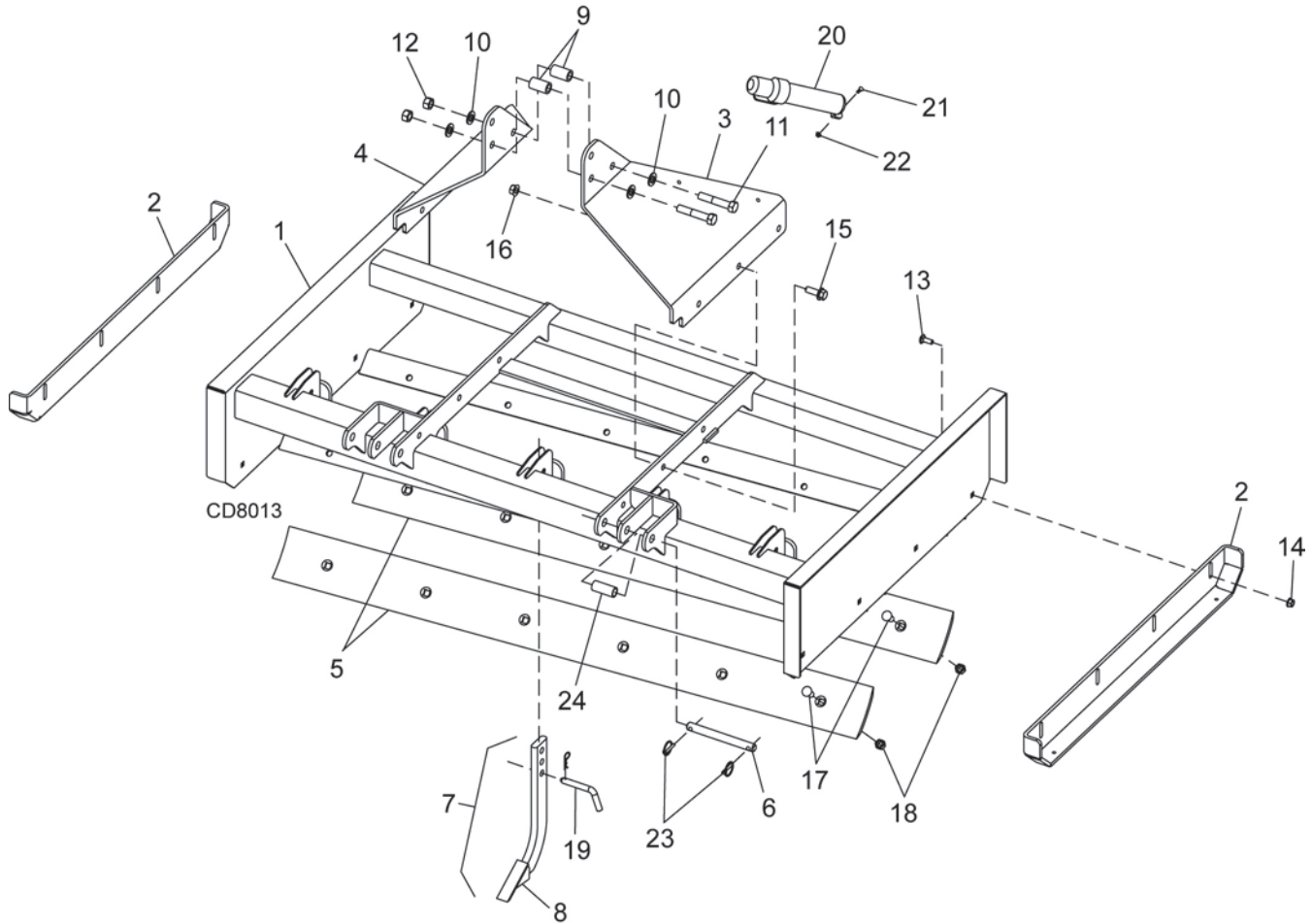
(Model Without Scarifiers Not Shown)



REF	PART	QTY	DESCRIPTION	REF	PART	QTY	DESCRIPTION
1		1	Grading Scraper Frame (Not Serviced Separately)	17	25265	*	5/8 NC x 1-1/2 Plow Bolt
2	1033040RP	2	Side Skid	18	6239RP	*	5/8 NC Hex Lock Nut
3	1029053	1	Mast Plate - Left	19	1005338	4	Pin, Bent 5/8 x 3 w/Clip (GSS60E)
4	1033642	1	Mast Plate - Right	19	1005338	5	Pin, Bent 5/8 x 3 w/Clip (GSS72E)
5	32280	2	Cutting Edge (GSS60E)	20	1026530RP	1	Operator's Manual Holder (not included)
	25258	2	Cutting Edge (GSS72E)	21	51243	*	5/16 NC x 1 GR5 Carriage Bolt
6	SU105	2	Cat 1 Drawbar Pin w/ Lynch Pin	22	73163	*	5/16 NC Whiz Nut
7	1004635	4	Scarifier & Tip Assembly (GSS60E)	23	27542RP	*	Lynch Pin
7	1035770	5	Scarifier & Tip Assembly HD (GSS72E)				
8	1004636	-	Scarifier Tip -or-			*	Standard Hardware, Obtain Locally
8	1035769	-	Scarifier Tip, Heavy Duty				
9	1002018	2	Sleeve .81 x 1.25 x 2.12				
10	2864	*	3/4 SAE Flat Washer				
11	31207	*	3/4 NC x 4 Hex Head Cap Screw GR5				
12	2371	*	3/4 NC Hex Lock Nut				
13	301109	*	1/2 NC x 1-1/4 GR5 Carriage Bolt				
14	11900RP	*	1/2 NC Flange Lock Nut				
15	19024	*	5/8 NC x 1-3/4 Hex Flange Screw				
16	19025RP	*	5/8 NC Flange Lock Nut				

GSM84E & GSM96E GRADING SCRAPER

(Model Without Scarifiers Not Shown)



REF	PART	QTY	DESCRIPTION	REF	PART	QTY	DESCRIPTION
1		1	Grading Scraper Frame (Not Serviced Separately)	17	25265	*	5/8 NC x 1-1/2 Plow Bolt
2	1033040RP	2	Side Skid	18	6239RP	*	5/8 NC Hex Lock Nut
3	1029053	1	Mast Plate - Left	19	1005338	6	Pin, Bent 5/8 x 3 w/Clip (GSM84E)
4	1033642	1	Mast Plate - Right	19	1005338	6	Pin, Bent 5/8 x 3 w/Clip (GSM96E)
5	46440	2	Cutting Edge (GSM84E)	20	1026530RP	1	Operator's Manual Holder (not included)
	25270	2	Cutting Edge (GSM96E)	21	51243	*	5/16 NC x 1 GR5 Carriage Bolt
6	HBL233	2	Cat 2 Drawbar Pin	22	73163	*	5/16 NC Whiz Nut
7	1035770	6	Scarifier & Tip Assembly HD (GSM84E)	23	27542RP	*	Lynch Pin
7	1035770	6	Scarifier & Tip Assembly HD (GSM96E)	24	56598	2	Sleeve, Cat 2 Adapter
8	1035769	-	Scarifier Tip, Heavy Duty			*	Standard Hardware, Obtain Locally
9	1002018	2	Sleeve .81 x 1.25 x 2.12				
10	2864	*	3/4 SAE Flat Washer				
11	31207	*	3/4 NC x 4 Hex Head Cap Screw GR5				
12	2371RP	*	3/4 NC Hex Lock Nut				
13	301109	*	1/2 NC x 1-1/4 GR5 Carriage Bolt				
14	11900RP	*	1/2 NC Flange Lock Nut				
15	19024	*	5/8 NC x 1-3/4 Hex Flange Screw				
16	19025RP	*	5/8 NC Flange Lock Nut				

18 Parts

MAN1252 (4/6/2018)

BOLT TORQUE CHART

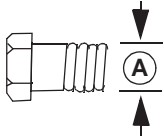
Always tighten hardware to these values unless a different torque value or tightening procedure is listed for a specific application.

Fasteners must always be replaced with the same grade as specified in the manual parts list.

Always use the proper tool for tightening hardware: SAE for SAE hardware and Metric for metric hardware.

Make sure fastener threads are clean and you start thread engagement properly.

All torque values are given to specifications used on hardware defined by SAE J1701 MAR 99 & J1701M JUL 96.



SAE SERIES TORQUE CHART



SAE Grade 2
(No Dashes)

SAE Bolt Head Identification

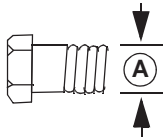


SAE Grade 5
(3 Radial Dashes)



SAE Grade 8
(6 Radial Dashes)

Ⓐ Diameter (Inches)	Wrench Size	MARKING ON HEAD					
		SAE 2		SAE 5		SAE 8	
		lbs-ft	N-m	lbs-ft	N-m	lbs-ft	N-m
1/4"	7/16"	6	8	10	13	14	18
5/16"	1/2"	12	17	19	26	27	37
3/8"	9/16"	23	31	35	47	49	67
7/16"	5/8"	36	48	55	75	78	106
1/2"	3/4"	55	75	85	115	120	163
9/16"	13/16"	78	106	121	164	171	232
5/8"	15/16"	110	149	170	230	240	325
3/4"	1-1/8"	192	261	297	403	420	569
7/8"	1-5/16"	306	416	474	642	669	907
1"	1-1/2"	467	634	722	979	1020	1383



METRIC SERIES TORQUE CHART



8.8
Metric
Grade 8.8

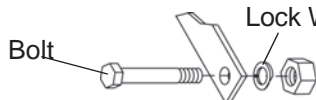
Metric Bolt Head Identification



10.9
Metric
Grade 10.9

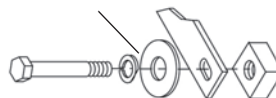
Ⓐ Diameter & Thread Pitch (Millimeters)	Wrench Size	COARSE THREAD				FINE THREAD				Ⓐ Diameter & Thread Pitch (Millimeters)
		MARKING ON HEAD				MARKING ON HEAD				
		Metric 8.8		Metric 10.9		Metric 8.8		Metric 10.9		
		N-m	lbs-ft	N-m	lbs-ft	N-m	lbs-ft	N-m	lbs-ft	
6 x 1.0	10 mm	8	6	11	8	8	6	11	8	6 x 1.0
8 x 1.25	13 mm	20	15	27	20	21	16	29	22	8 x 1.0
10 x 1.5	16 mm	39	29	54	40	41	30	57	42	10 x 1.25
12 x 1.75	18 mm	68	50	94	70	75	55	103	76	12 x 1.25
14 x 2.0	21 mm	109	80	151	111	118	87	163	120	14 x 1.5
16 x 2.0	24 mm	169	125	234	173	181	133	250	184	16 x 1.5
18 x 2.5	27 mm	234	172	323	239	263	194	363	268	18 x 1.5
20 x 2.5	30 mm	330	244	457	337	367	270	507	374	20 x 1.5
22 x 2.5	34 mm	451	332	623	460	495	365	684	505	22 x 1.5
24 x 3.0	36 mm	571	421	790	583	623	459	861	635	24 x 2.0
30 x 3.0	46 mm	1175	867	1626	1199	1258	928	1740	1283	30 x 2.0

Typical Washer Installations



Lock Washer

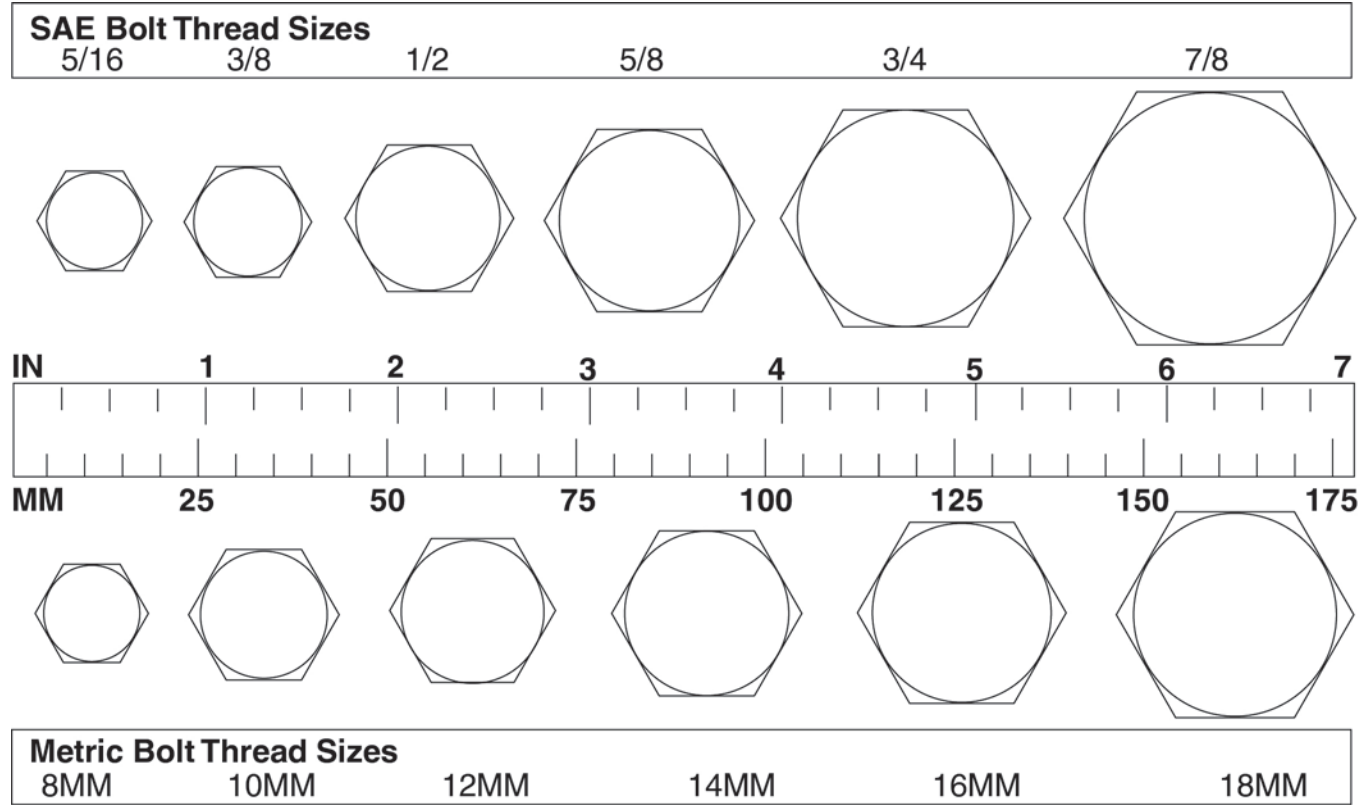
Flat Washer



8/9/00

BOLT SIZE CHART

NOTE: Chart shows bolt thread sizes and corresponding head (wrench) sizes for standard SAE and metric bolts.



ABBREVIATIONS

AG Agriculture
 ASABE American Society of Agricultural & Biological Engineers (formerly ASAE)
 ASAE..... American Society of Agricultural Engineers
 ATF Automatic Transmission Fluid
 BSPP.....British Standard Pipe Parallel
 BSPTM.....British Standard Pipe Tapered Male
 CV Constant Velocity
 CCW..... Counter-Clockwise
 CW Clockwise
 F Female
 FT..... Full Thread
 GA Gauge
 GR (5, etc.)..... Grade (5, etc.)
 HHCS Hex Head Cap Screw
 HT Heat-Treated
 JIC..... Joint Industry Council 37° Degree Flare
 LH..... Left Hand
 LT Left
 m Meter
 mm Millimeter
 M Male

MPa Mega Pascal
 N Newton
 NC..... National Coarse
 NF National Fine
 NPSM National Pipe Straight Mechanical
 NPT..... National Pipe Tapered
 NPT SWF..... National Pipe Tapered Swivel Female
 ORBM O-Ring Boss - Male
 P Pitch
 PBY.....Power-Beyond
 psi Pounds per Square Inch
 PTO Power Take Off
 QD Quick Disconnect
 RH..... Right Hand
 ROPS..... Roll-Over Protective Structure
 RPM..... Revolutions Per Minute
 RT Right
 SAE..... Society of Automotive Engineers
 UNC Unified Coarse
 UNF Unified Fine
 UNS Unified Special

WARRANTY

All Models Except Mow'n Machine™ Zero-Turn Mowers

Please Enter Information Below and Save for Future Reference.

Date Purchased: _____ From (Dealer): _____

Model Number: _____ Serial Number: _____

Woods Equipment Company ("WOODS") warrants this product to be free from defect in material and workmanship. Except as otherwise set forth below, the duration of this Warranty shall be for TWELVE (12) MONTHS COMMENCING ON THE DATE OF DELIVERY OF THE PRODUCT TO THE ORIGINAL PURCHASER.

All current model backhoes, loaders and mounts (except 3-pt. SAF-T-LOK® mounts) are warranted for two (2) years from the date of delivery to the original purchaser. The limited warranty covers any defects in the material and/or workmanship. Following the proper, recommended installation by an authorized Woods Dealer and normal use of a Woods mounting and backhoe or loader, if a tractor incurs damage resulting from the attachment, Woods will cover the existing tractor warranty in the event the manufacturer voids its tractor warranty because of the attachment. Warranty does not cover any misuse or abusive conditions that could cause premature wear or damage to attachment or tractor.

The warranty periods for specific parts or conditions are listed below:

Part or Condition Warranted	Model Number	Duration (from date of delivery to the original purchaser)
All units invoiced after 4/30/2012		
Gearbox components	BB48X, BB60X, BB72X, BB84X, BB600X, BB720X, BB840X, BB6000X, BB7200X, BB8400X, DS12.50, TS14.60, DS1440, TS1680, DS8.30, DS10.40, DS8.50, DSO8.50, DS10.50, DSO10.50, DBH5.30, DBH6.30	6 years
	BW12, BW15, BW126X, BW180X, BW126XHD, BW180XHD, BW1260X, BW1800X, BW10.50, BW10.50Q, BW15.50, BW15.50Q, BW15.60, BW15.60Q, BW10.60, BW10.60Q	
	BW240X, BW240XHD, BW1620X, BW2400X	
	RD990X, PRD6000, PRD7200, PRD8400, S15CD, S20CD, S22CD, S25CD, S27CD, S30CD, TC/R74, TC/R68, TC/R60, TBW144, TBW180, TBW204, TSG50, S12ED, S15ED, S18ED, S20ED, TPD25, TPD35, TPD65, TPD95	3 years (1 year if used in rental or commercial applications)
RDC54, RD60, RD72, TBW150C, TS/R60, TS/R52, TS/R44, RC3.5, RC4, RC5, RC6		
Blade spindles	RD990X, PRD6000, PRD7200, PRD8400, TBW144, TBW180, TBW204	3 years

Under no circumstances will this Warranty apply in the event that the product, in the good faith opinion of WOODS, has been subjected to improper operation, improper maintenance, misuse, or an accident. This Warranty does not apply in the event that the product has been materially modified or repaired by someone other than WOODS, a WOODS authorized dealer or distributor, and/or a WOODS authorized service center. This Warranty does not cover normal wear or tear, or normal maintenance items. This Warranty also does not cover repairs made with parts other than those obtainable through WOODS.

This Warranty is extended solely to the original purchaser of the product. Should the original purchaser sell or otherwise transfer this product to a third party, this Warranty does not transfer to the third party purchaser in any way. There are no third party beneficiaries of this Warranty.

WOODS makes no warranty, express or implied, with respect to engines, batteries, tires or other parts or accessories not manufactured by WOODS. Warranties for these items, if any, are provided separately by their respective manufacturers.

WOODS' obligation under this Warranty is limited to, at WOODS' option, the repair or replacement, free of charge, of the product if WOODS, in its sole discretion, deems it to be defective or in noncompliance with this Warranty. **The product must be returned to WOODS with proof of purchase within thirty (30) days after such defect or noncompliance is discovered or should have been discovered, routed through the dealer and distributor from whom the purchase was made, transportation charges prepaid.** WOODS shall complete such repair or replacement within a reasonable time after WOODS receives the product. THERE ARE NO OTHER REMEDIES UNDER THIS WARRANTY. THE REMEDY OF REPAIR OR REPLACEMENT IS THE SOLE AND EXCLUSIVE REMEDY UNDER THIS WARRANTY.

THERE ARE NO WARRANTIES WHICH EXTEND BEYOND THE DESCRIPTION ON THE FACE OF THIS WARRANTY. WOODS MAKES NO OTHER WARRANTY, EXPRESS OR IMPLIED, AND WOODS SPECIFICALLY DISCLAIMS ANY IMPLIED WARRANTY OF MERCHANTABILITY AND/OR ANY IMPLIED WARRANTY OF FITNESS FOR A PARTICULAR PURPOSE.

WOODS shall not be liable for any incidental or consequential losses, damages or expenses, arising directly or indirectly from the product, whether such claim is based upon breach of contract, breach of warranty, negligence, strict liability in tort or any other legal theory. Without limiting the generality of the foregoing, Woods specifically disclaims any damages relating to (i) lost profits, business, revenues or goodwill; (ii) loss of crops; (iii) loss because of delay in harvesting; (iv) any expense or loss incurred for labor, supplies, substitute machinery or rental; or (v) any other type of damage to property or economic loss.

This Warranty is subject to any existing conditions of supply which may directly affect WOODS' ability to obtain materials or manufacture replacement parts.

No agent, representative, dealer, distributor, serviceperson, salesperson, or employee of any company, including without limitation, WOODS, its authorized dealers, distributors, and service centers, is authorized to alter, modify, or enlarge this Warranty. Answers to any questions regarding warranty service and locations may be obtained by contacting:

WOODS® | A Blount International Brand

2606 South Illinois Route 2
Post Office Box 1000
Oregon, Illinois 61061 USA

800-319-6637 tel
800-399-6637 fax
woodsequipment.com

BLOUNT EUROPE SA

Rue Emile Francqui 5
1435 MONT-SANT-GUIBERT
Belgium

+32 10 301111 tel
woodsequipment.eu

ALITEC™
CENTRAL FABRICATORS®
GANNON®
WAIN-ROY®
WOODS®

WARRANTY

(Replacement Parts For All Models Except Mow'n Machine™
Zero-Turn Mowers and Woods Boundary™ Utility Vehicles)

Woods Equipment Company ("WOODS") warrants this product to be free from defect in material and workmanship for a period of ninety (90) days from the date of delivery of the product to the original purchaser with the exception of V-belts, which will be free of defect in material and workmanship for a period of 12 months.

Under no circumstances will this Warranty apply in the event that the product, in the good faith opinion of WOODS, has been subjected to improper operation, improper maintenance, misuse, or an accident. This Warranty does not cover normal wear or tear, or normal maintenance items.

This Warranty is extended solely to the original purchaser of the product. Should the original purchaser sell or otherwise transfer this product to a third party, this Warranty does not transfer to the third party purchaser in any way. There are no third party beneficiaries of this Warranty.

WOODS' obligation under this Warranty is limited to, at WOODS' option, the repair or replacement, free of charge, of the product if WOODS, in its sole discretion, deems it to be defective or in noncompliance with this Warranty. **The product must be returned to WOODS with proof of purchase within thirty (30) days after such defect or noncompliance is discovered or should have been discovered, routed through the dealer and distributor from whom the purchase was made, transportation charges prepaid.** WOODS shall complete such repair or replacement within a reasonable time after WOODS receives the product. THERE ARE NO OTHER REMEDIES UNDER THIS WARRANTY. THE REMEDY OF REPAIR OR REPLACEMENT IS THE SOLE AND EXCLUSIVE REMEDY UNDER THIS WARRANTY.

THERE ARE NO WARRANTIES WHICH EXTEND BEYOND THE DESCRIPTION ON THE FACE OF THIS WARRANTY. WOODS MAKES NO OTHER WARRANTY, EXPRESS OR IMPLIED, AND WOODS SPECIFICALLY DISCLAIMS ANY IMPLIED WARRANTY OF MERCHANTABILITY AND/OR ANY IMPLIED WARRANTY OF FITNESS FOR A PARTICULAR PURPOSE.

WOODS shall not be liable for any incidental or consequential losses, damages or expenses, arising directly or indirectly from the product, whether such claim is based upon breach of contract, breach of warranty, negligence, strict liability in tort or any other legal theory. Without limiting the generality of the foregoing, Woods specifically disclaims any damages relating to (i) lost profits, business, revenues or goodwill; (ii) loss of crops; (iii) loss because of delay in harvesting; (iv) any expense or loss incurred for labor, supplies, substitute machinery or rental; or (v) any other type of damage to property or economic loss.

This Warranty is subject to any existing conditions of supply which may directly affect WOODS' ability to obtain materials or manufacture replacement parts.

No agent, representative, dealer, distributor, service person, salesperson, or employee of any company, including without limitation, WOODS, its authorized dealers, distributors, and service centers, is authorized to alter, modify, or enlarge this Warranty.

Answers to any questions regarding warranty service and locations may be obtained by contacting:

ALITEC™
CENTRAL FABRICATORS®
GANNON®
WAIN-ROY®
WOODS®

BLOUNT EUROPE SA
Rue Emile Francqui 5
1435 MONT-SANT-GUIBERT
Belgium
+32 10 301111 tel
woodsequipment.eu

WOODS® | A Blount International Brand
2606 South Illinois Route 2
Post Office Box 1000
Oregon, Illinois 61061 USA
800-319-6637 tel
800-399-6637 fax
woodsequipment.com