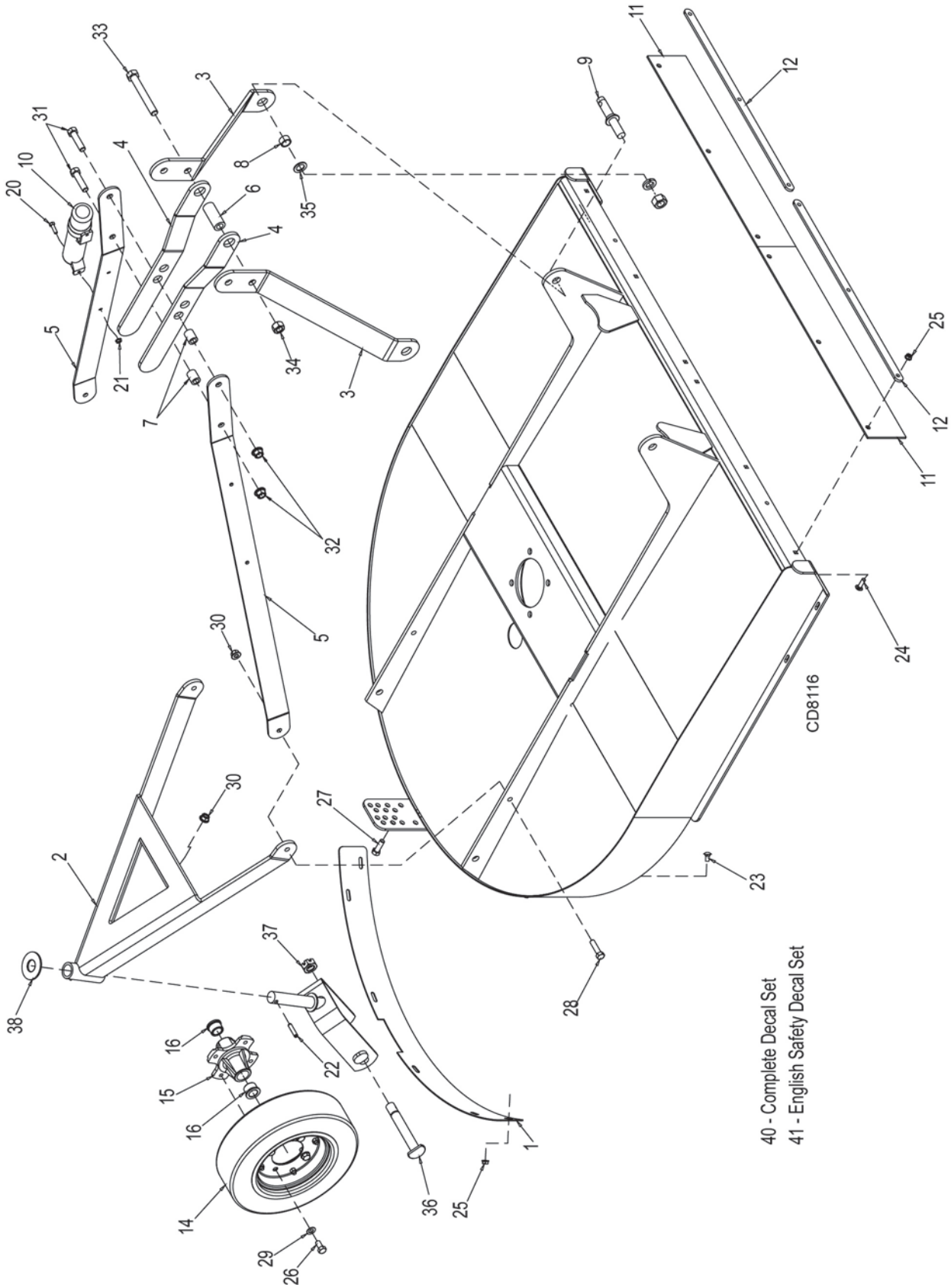


Rotary Cutters: RC3.5E, RC4E, RC5E, RC6E

MAIN ASSEMBLY	24-25
GEARBOX/BLADE/DRIVE ASSEMBLY	26
GEARBOX ASSEMBLY.....	27
FRONT & REAR CHAIN SHIELDING (OPTIONAL)	28
REPLACEABLE SKID SHOES (OPTIONAL).....	28

MAIN ASSEMBLY



40 - Complete Decal Set
41 - English Safety Decal Set

24 Parts

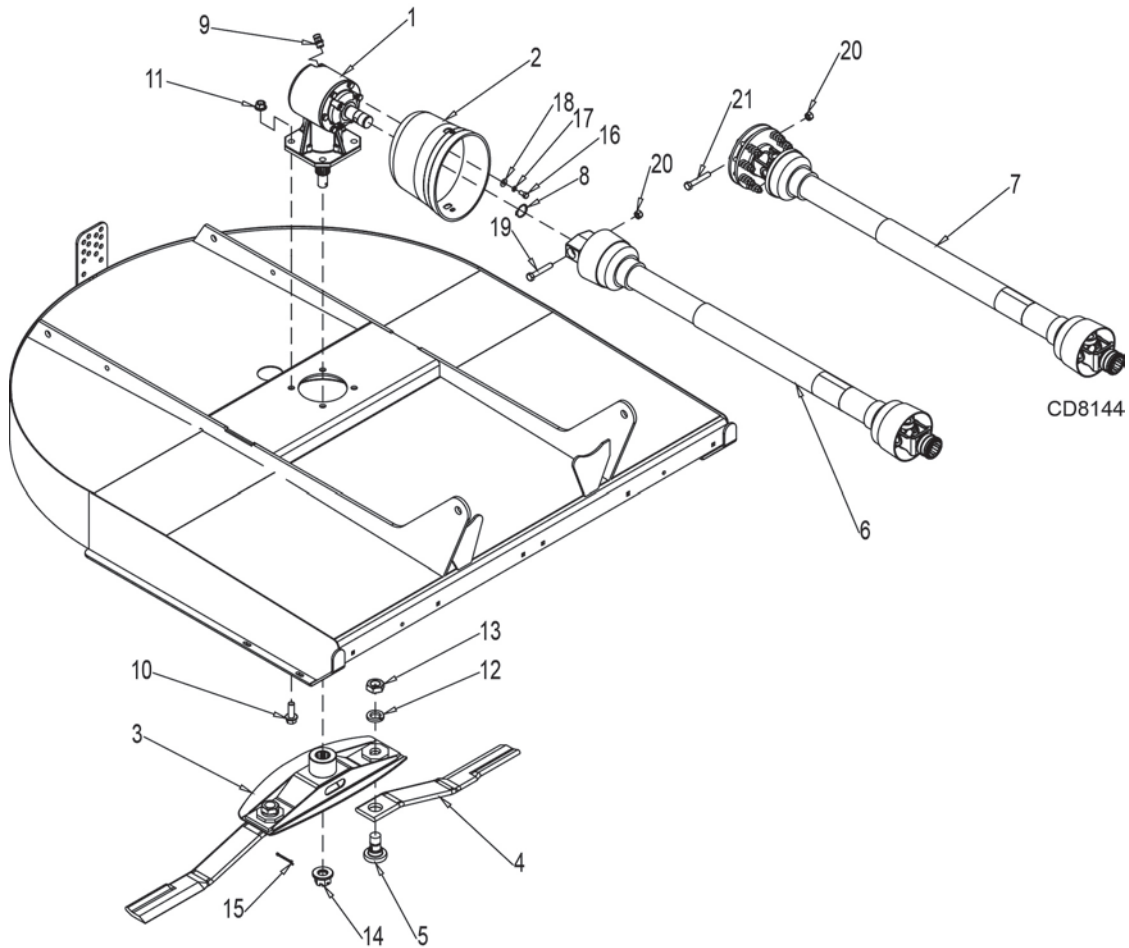
MAN1253 (3/15/2018)

MAIN ASSEMBLY PARTS LIST

REF	PART	QTY	DESCRIPTION	REF	PART	QTY	DESCRIPTION
1	1038319RP	1	Rear band - RC3.5E	14	1019636	1	101.6 x 203.2 mm (4" x 8") Rim & Laminated tire
	1038327RP	1	Rear band - RC4E	15	1030522	1	Hub 4-bolt
	1037873RP	1	Rear band - RC5E	16	1030524RP	2	Bushing, flanged 25.1 x 35.4 x 24.9 mm (.990" x 1.394" x .98")
	1037913RP	1	Rear band - RC6E	20	14562RP *	2	5/16 NC X 2 HHCS GR5
2	1037922RP	1	Tailwheel bracket - RC3.5E, RC4E	21	14139RP *	2	5/16 NC Flange lock nut
	1037870RP	1	Tailwheel bracket - RC5E, RC6E	22	40775	1	Spirol pin, 10mm x 65mm
3	1037864RP	2	A-frame bar	23	6697 *	8	3/8 NC x 1 Carriage bolt GR5
4	1037865RP	2	Break link	24	20973RP *	6	3/8 NC x 1-1/4 Carriage bolt GR5
5	1038318RP	2	Lift arm - RC3.5E	25	14350RP *	14	3/8 NC Flange lock nut
	1038325RP	2	Lift arm - RC4E	26	300300	4	1/2 NC x 1 HHCS GR5
	1037866RP	2	Lift arm - RC5E	27	3379RP *	2	1/2 NC x 1-1/2 HHCS GR5
	1037912RP	2	Lift arm - RC6E	28	3699 *	2	1/2 NC x 2 HHCS GR5
6	27140RP	1	Sleeve, 19.1 X 31.8 X 76.2 mm (3/4" x 1-1/4" x 3")	29	*	4	1/2 Flat washer
7	66661RP	2	Sleeve, 15.9 x 25.4 x 32.00 mm (.626" x 1.00" x 1.26")	30	11900RP *	4	1/2 NC Flange lock nut
8	29281	2	Sleeve, 22.2 x 28.6 x 15.1 mm (7/8" x 1-1/8" x 19/32") HT	31	941RP *	2	5/8 NC x 2-1/2 HHCS GR5
9	33661RP	2	Cat 1 Mounting pin (w/ nut & lock washer)	32	19025RP *	2	5/8 NC Flange lock nut
10	1026530RP	1	Manual tube	33	29315 *	1	3/4 NC x 5-1/2 HHCS GR5
11	1037876	2	Rubber belt - RC3.5E	34	2371 *	1	3/4 NC Lock nut
	1037877	2	Rubber belt - RC4E	35	28539 *	2	7/8 Standard flat washer
	1037878	2	Rubber belt - RC5E	36	1030523	1	M24 x 2 Axle bolt
	1037879	2	Rubber belt - RC6E	37	1032105	1	M24 x 2.0P Slotted nut
12	1038320RP	2	Belt bar - RC3.5E	38	*	1	33mm x 56mm x 4mm Washer
	1038326RP	2	Belt bar - RC4E	40	1038353	1	Complete decal set
	1037874RP	2	Belt bar - RC5E	41	1038354	1	English safety decal set
	1037914RP	2	Belt bar - RC6E				
13	1028815RP	1	Tailwheel clevis				

* Standard hardware; obtain locally

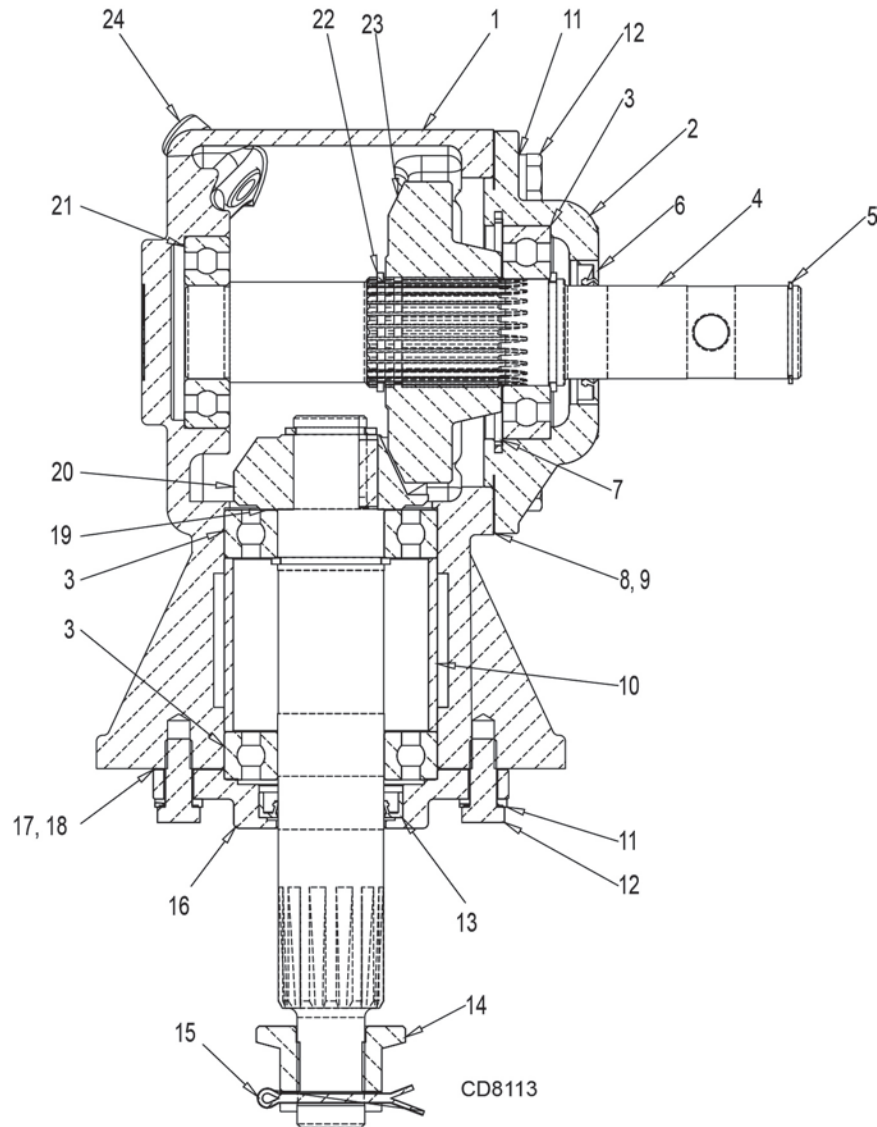
GEARBOX/BLADE/DRIVE ASSEMBLY



REF	PART	QTY	DESCRIPTION	REF	PART	QTY	DESCRIPTION
1	1038350	1	Gearbox - RC3.5E, RC4E (See pg 39)	8	15345	1	Retaining ring, .05 x 1.38
	1038352	1	Gearbox - RC5E (See pg 39)	9	1037875	1	Vent plug
	1038351	1	Gearbox - RC6E (See pg 39)	10	19024	4	5/8 NC x 1-3/4 HFS GR5
2	1002048RP	1	Clutch shield	11	19025RP *	4	5/8 NC Flange lock nut
3	1038330RP	1	Crossbar assembly - RC3.5E	12	15668 *	2	1.15 x 1.85 x .281 Lock washer
	1037896RP	1	Crossbar assembly - RC4E	13	15667 *	2	1-1/8 NF Jam nut
	1037850RP	1	Crossbar assembly - RC5E, RC6E	14	1018331 *	1	1" - 14 Slotted flange nut
4	1037893KT	1	Blade, 1/2 x 3 x 14.0 CCW - RC3.5E, RC4E	15	-----	1	Cotter pin
	1037892KTRP	1	Blade, 1/2 x 3 x 20.5 CCW - RC5E	16	6096RP *	4	5/16 NC x 3/4 HHCS GR5
	57189KTRP	1	Blade, 1/2 x 3 x 26.5 CCW - RC6E	17	2472 *	4	5/16 Lock washer
5	1015831	2	Blade pin, .75 x 1.5 x .38 (includes items 12 & 13)	18	4378RP *	4	5/16 Flat washer
6	-----	1	Shear bolt drive (Obtain locally)	19	15349 *	1	1/2 NC x 3 Shear bolt GR2
7	-----	1	Slip clutch drive (Obtain locally)	20	765 *	1	1/2 NC Lock nut
				21	1024632 *	1	1/2 NC x 3 HHCS GR8 (slip clutch only)

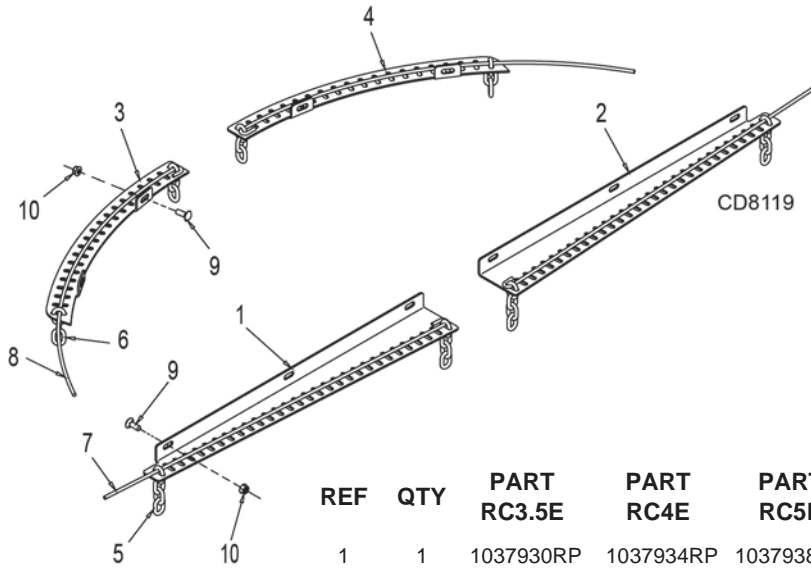
* Standard hardware, obtain locally

GEARBOX ASSEMBLY



REF	PART	QTY	DESCRIPTION	REF	PART	QTY	DESCRIPTION
A	1038350	1	Gearbox - RC3.5E, RC4E	13	1018328RP	1	Output seal
	1038352	1	Gearbox - RC5E	14	1018331	1	1" - 14 Slotted flange nut
	1038351	1	Gearbox - RC6E	15	-----	1	Cotter pin
1	-----	1	Housing	16	1038357	1	Output cap
2	1038356	1	Input cap	17	1018329	A/R	Output gasket (0.30mm)
3	1018326RP	3	Ball bearing	18	1018330	A/R	Output gasket (0.13mm)
4	-----	1	Input shaft	19	1032963	1	Shim kit (.20mm)
5	15345	1	Retaining ring, .05 x 1.38	20	-----	1	Output gear
6	58815	1	Input seal	21	1018325RP	1	Ball bearing
7	-----	1	Retaining ring	22	-----	3	Retaining ring
8	1038358	A/R	Input gasket (0.30mm)	23	-----	1	Input gear
9	1038359	A/R	Input gasket (0.13mm)	24	1037875	1	Vent plug
10	-----	1	Bearing spacer				
11	-----	10	M10 Lock washer				A/R As Required
12	-----	10	M10 x 1.5 x 25 Cap screw				

FRONT AND REAR CHAIN SHIELDING (OPTIONAL)

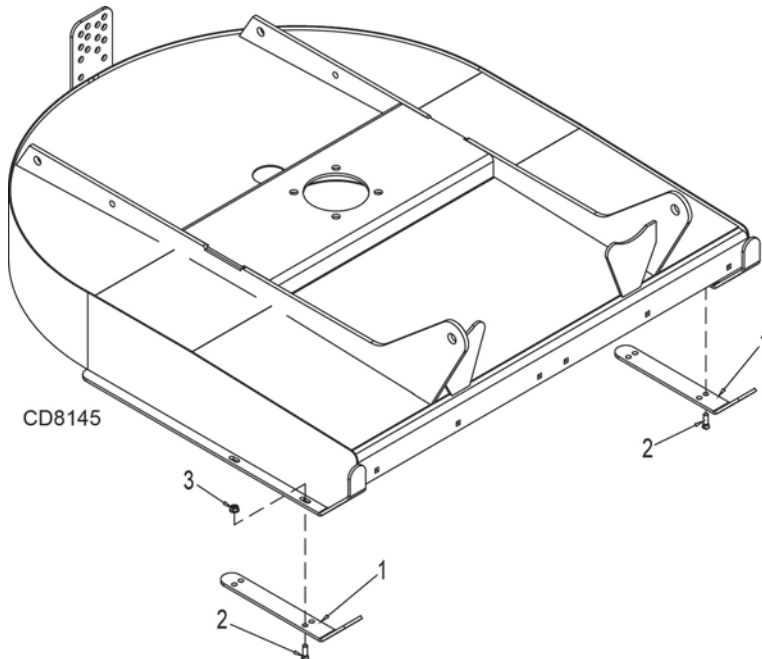


REF	QTY	PART RC3.5E	PART RC4E	PART RC5E	PART RC6E	DESCRIPTION
1	1	1037930RP	1037934RP	1037938RP	1037942RP	Right front chain plate
2	1	1037931RP	1037935RP	1037939RP	1037943RP	Left front chain plate
3	1	1037932RP	1037936RP	1037940RP	1037944RP	Right rear chain plate
4	1	1037933RP	1037937RP	1037941RP	1037945RP	Left rear chain plate
5	AR	4765	4765	4765	4765	1/4 - 4 Link chain
6	AR	4763	4763	4763	4763	1/4 - 3 Link chain
7	2	1003643	1003643	1003644	1003646	.243 Dia. Bent pin
8	2	1003638	1003639	1003642	57249	.234 Dia. Bent pin
9		6697RP *	6697RP *	6697RP *	6697RP *	3/8 NC x 1 Carriage bolt GR5
10		14350RP *	14350RP *	14350RP *	14350RP *	3/8 NC Flange lock nut

AR As Required

* Standard hardware, obtain locally

REPLACEABLE SKID SHOES (OPTIONAL)



REF	PART	QTY	DESCRIPTION
A	1038335	1	Kit, bolt-on skid shoes
1	1038336 RP	2	Skid shoe
2	21636	6	Bolt, 3/8 x 1-1/4 clipped head plow
3	14350RP *	6	3/8 NC Flange lock nut

* Standard hardware, obtain locally

28 Parts

MAN1253 (3/15/2018)

BOLT TORQUE CHART

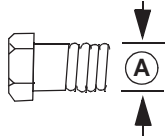
Always tighten hardware to these values unless a different torque value or tightening procedure is listed for a specific application.

Fasteners must always be replaced with the same grade as specified in the manual parts list.

Always use the proper tool for tightening hardware: SAE for SAE hardware and Metric for metric hardware.

Make sure fastener threads are clean and you start thread engagement properly.

All torque values are given to specifications used on hardware defined by SAE J1701 MAR 99 & J1701M JUL 96.



SAE SERIES TORQUE CHART



SAE Grade 2
(No Dashes)

SAE Bolt Head Identification

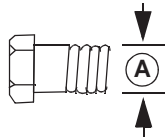


SAE Grade 5
(3 Radial Dashes)



SAE Grade 8
(6 Radial Dashes)

Ⓐ Diameter (Inches)	Wrench Size	MARKING ON HEAD					
		SAE 2		SAE 5		SAE 8	
		lbs-ft	N-m	lbs-ft	N-m	lbs-ft	N-m
1/4"	7/16"	6	8	10	13	14	18
5/16"	1/2"	12	17	19	26	27	37
3/8"	9/16"	23	31	35	47	49	67
7/16"	5/8"	36	48	55	75	78	106
1/2"	3/4"	55	75	85	115	120	163
9/16"	13/16"	78	106	121	164	171	232
5/8"	15/16"	110	149	170	230	240	325
3/4"	1-1/8"	192	261	297	403	420	569
7/8"	1-5/16"	306	416	474	642	669	907
1"	1-1/2"	467	634	722	979	1020	1383



METRIC SERIES TORQUE CHART



8.8
Metric
Grade 8.8

Metric Bolt Head Identification



10.9
Metric
Grade 10.9

Ⓐ Diameter & Thread Pitch (Millimeters)	Wrench Size	COARSE THREAD				FINE THREAD				Ⓐ Diameter & Thread Pitch (Millimeters)
		MARKING ON HEAD								
		Metric 8.8		Metric 10.9		Metric 8.8		Metric 10.9		
		N-m	lbs-ft	N-m	lbs-ft	N-m	lbs-ft	N-m	lbs-ft	
6 x 1.0	10 mm	8	6	11	8	8	6	11	8	6 x 1.0
8 x 1.25	13 mm	20	15	27	20	21	16	29	22	8 x 1.0
10 x 1.5	16 mm	39	29	54	40	41	30	57	42	10 x 1.25
12 x 1.75	18 mm	68	50	94	70	75	55	103	76	12 x 1.25
14 x 2.0	21 mm	109	80	151	111	118	87	163	120	14 x 1.5
16 x 2.0	24 mm	169	125	234	173	181	133	250	184	16 x 1.5
18 x 2.5	27 mm	234	172	323	239	263	194	363	268	18 x 1.5
20 x 2.5	30 mm	330	244	457	337	367	270	507	374	20 x 1.5
22 x 2.5	34 mm	451	332	623	460	495	365	684	505	22 x 1.5
24 x 3.0	36 mm	571	421	790	583	623	459	861	635	24 x 2.0
30 x 3.0	46 mm	1175	867	1626	1199	1258	928	1740	1283	30 x 2.0

Typical Washer Installations

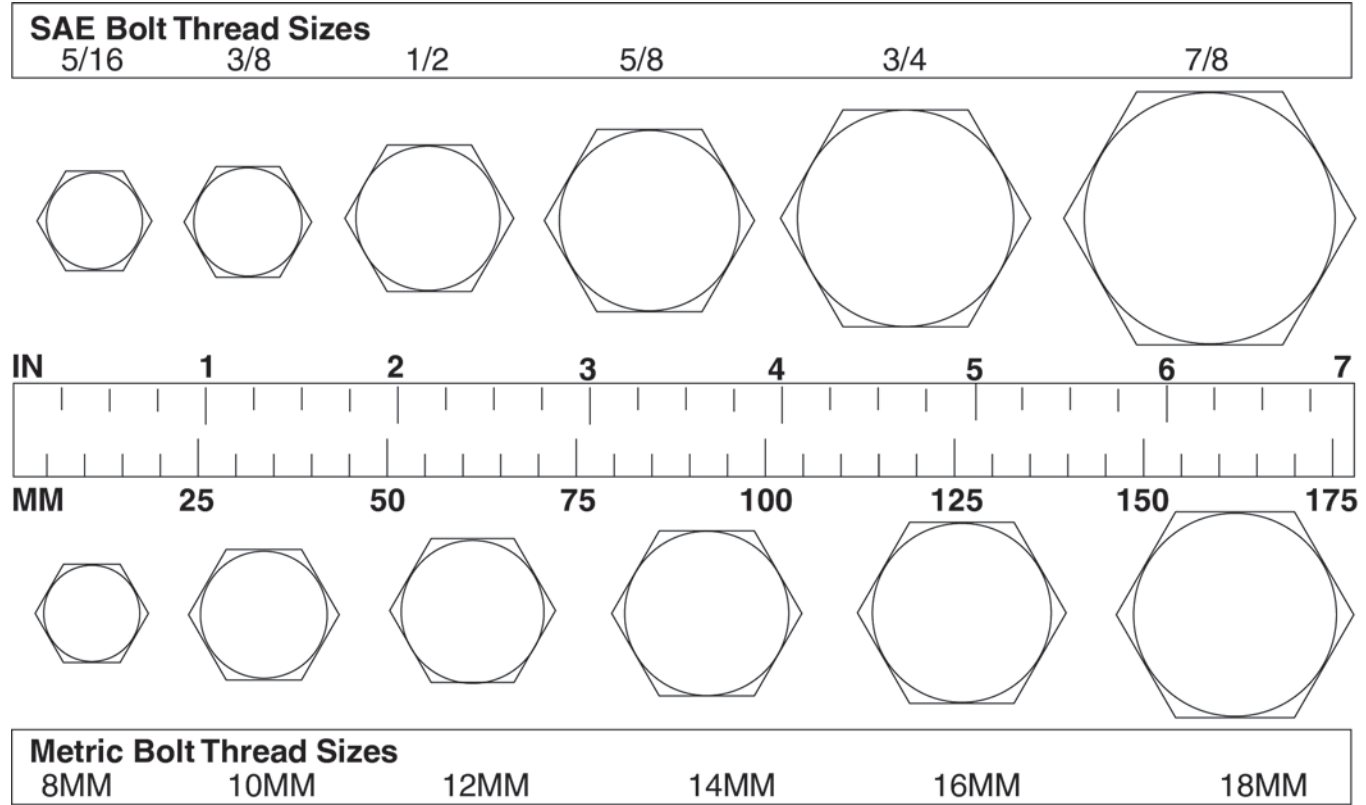
Lock Washer Flat Washer

Bolt

Hcv Y

BOLT SIZE CHART

NOTE: Chart shows bolt thread sizes and corresponding head (wrench) sizes for standard SAE and metric bolts.



ABBREVIATIONS

AG Agriculture
 ASABE American Society of Agricultural & Biological Engineers (formerly ASAE)
 ASAE..... American Society of Agricultural Engineers
 ATF Automatic Transmission Fluid
 BSPP..... British Standard Pipe Parallel
 BSPTM..... British Standard Pipe Tapered Male
 CV Constant Velocity
 CCW..... Counter-Clockwise
 CW Clockwise
 F Female
 FT..... Full Thread
 GA Gauge
 GR (5, etc.)..... Grade (5, etc.)
 HHCS Hex Head Cap Screw
 HT Heat-Treated
 JIC..... Joint Industry Council 37° Degree Flare
 LH..... Left Hand
 LT Left
 m Meter
 mm Millimeter
 M Male

MPa Mega Pascal
 N Newton
 NC..... National Coarse
 NF National Fine
 NPSM National Pipe Straight Mechanical
 NPT..... National Pipe Tapered
 NPT SWF..... National Pipe Tapered Swivel Female
 ORBM O-Ring Boss - Male
 P Pitch
 PBY..... Power-Beyond
 psi Pounds per Square Inch
 PTO Power Take Off
 QD Quick Disconnect
 RH..... Right Hand
 ROPS..... Roll-Over Protective Structure
 RPM..... Revolutions Per Minute
 RT Right
 SAE..... Society of Automotive Engineers
 UNC Unified Coarse
 UNF Unified Fine
 UNS Unified Special

INDEX

ASSEMBLY

Dealer Set-Up Instructions 19

DEALER CHECK LISTS

Delivery (Dealer's Responsibility) 18
Pre-Delivery (Dealer's Responsibility) 18

DEALER SERVICE

Crossbar

Installation 17
Removal 16

Gearbox Maintenance 14

Horizontal Leak Repair 114
Seal Installation 14
Seal Replacement 14
Vertical Shaft Repair 14

Gearbox Repair

Disassemble Gearbox 15
Reassemble Gearbox 15
Reinstall Gearbox 15
Remove Gearbox 15

Universal Joint

Assembly 18
Disassembly 17
Repair 17

GENERAL

Abbreviations 30
Bolt Size Chart 30
Bolt Torque Chart 29
General Information 3
Introduction 2
Obtaining Replacement Manuals 2
Product Registration 2
Specifications 3
Table of Contents 3
Warranty
Product 33
Replacement Parts 34

OPERATION

Adjustments

Attitude 10
Cutting Height 9
Shredding 10

Attaching Cutter to Tractor

Attachment 8
Quick Hitch 8

Driveline

Attachment 9
Interference Check 9
PTO Installation & Removal 9
Shortening 11

Mowing Speed 10

Operating Technique 12

Pre-Operation Check List (Owner's Responsibility)
12

Storage 12

Tractor Stability 8

OWNER SERVICE

Blade

Installation 12
Removal 12
Servicing 12
Sharpening 12

Blocking Method 11

Cleaning

After Each Use 13
Periodically or Before Extended Storage 13

Driveline Shear Bolt Replacement 12

Lubrication Information 11

Driveline 11
Gearbox 11
Lubrication Chart 11

Shielding Repair 13

Slip Clutch Adjustment 12

Troubleshooting 13

PARTS

Index to Parts Lists 24

SAFETY

Check Lists

Delivery (Dealer's Responsibility) 20
Pre-Delivery (Dealer's Responsibility) 20
Pre-Operation (Owner's Responsibility) 12

Safety & Instructional Decals 7, 8

Safety Rules 4

Safety Symbols Explained 2

WARRANTY

All Models Except Mow'n Machine™ Zero-Turn Mowers

Please Enter Information Below and Save for Future Reference.

Date Purchased: _____ From (Dealer): _____

Model Number: _____ Serial Number: _____

Woods Equipment Company ("WOODS") warrants this product to be free from defect in material and workmanship. Except as otherwise set forth below, the duration of this Warranty shall be for TWELVE (12) MONTHS COMMENCING ON THE DATE OF DELIVERY OF THE PRODUCT TO THE ORIGINAL PURCHASER.

All current model backhoes, loaders and mounts (except 3-pt. SAF-T-LOK® mounts) are warranted for two (2) years from the date of delivery to the original purchaser. The limited warranty covers any defects in the material and/or workmanship. Following the proper, recommended installation by an authorized Woods Dealer and normal use of a Woods mounting and backhoe or loader, if a tractor incurs damage resulting from the attachment, Woods will cover the existing tractor warranty in the event the manufacturer voids its tractor warranty because of the attachment. Warranty does not cover any misuse or abusive conditions that could cause premature wear or damage to attachment or tractor.

The warranty periods for specific parts or conditions are listed below:

Part or Condition Warranted	Model Number	Duration (from date of delivery to the original purchaser)
All units invoiced after 4/30/2012		
Gearbox components	BB48X, BB60X, BB72X, BB84X, BB600X, BB720X, BB840X, BB6000X, BB7200X, BB8400X, DS12.50, TS14.60, DS1440, TS1680, DS8.30, DS10.40, DS8.50, DSO8.50, DS10.50, DSO10.50, DBH5.30, DBH6.30	6 years
	BW12, BW15, BW126X, BW180X, BW126XHD, BW180XHD, BW1260X, BW1800X, BW10.50, BW10.50Q, BW15.50, BW15.50Q, BW15.60, BW15.60Q, BW10.60, BW10.60Q	
	BW240X, BW240XHD, BW1620X, BW2400X	
	RD990X, PRD6000, PRD7200, PRD8400, S15CD, S20CD, S22CD, S25CD, S27CD, S30CD, TC/R74, TC/R68, TC/R60, TBW144, TBW180, TBW204, TSG50, S12ED, S15ED, S18ED, S20ED, TPD25, TPD35, TPD65, TPD95	
	RDC54, RD60, RD72, TBW150C, TS/R60, TS/R52, TS/R44, RC3.5, RC4, RC5, RC6	3 years (1 year if used in rental or commercial applications)
Blade spindles	RD990X, PRD6000, PRD7200, PRD8400, TBW144, TBW180, TBW204	3 years

Under no circumstances will this Warranty apply in the event that the product, in the good faith opinion of WOODS, has been subjected to improper operation, improper maintenance, misuse, or an accident. This Warranty does not apply in the event that the product has been materially modified or repaired by someone other than WOODS, a WOODS authorized dealer or distributor, and/or a WOODS authorized service center. This Warranty does not cover normal wear or tear, or normal maintenance items. This Warranty also does not cover repairs made with parts other than those obtainable through WOODS.

This Warranty is extended solely to the original purchaser of the product. Should the original purchaser sell or otherwise transfer this product to a third party, this Warranty does not transfer to the third party purchaser in any way. There are no third party beneficiaries of this Warranty.

WOODS makes no warranty, express or implied, with respect to engines, batteries, tires or other parts or accessories not manufactured by WOODS. Warranties for these items, if any, are provided separately by their respective manufacturers.

WOODS' obligation under this Warranty is limited to, at WOODS' option, the repair or replacement, free of charge, of the product if WOODS, in its sole discretion, deems it to be defective or in noncompliance with this Warranty. **The product must be returned to WOODS with proof of purchase within thirty (30) days after such defect or noncompliance is discovered or should have been discovered, routed through the dealer and distributor from whom the purchase was made, transportation charges prepaid.** WOODS shall complete such repair or replacement within a reasonable time after WOODS receives the product. THERE ARE NO OTHER REMEDIES UNDER THIS WARRANTY. THE REMEDY OF REPAIR OR REPLACEMENT IS THE SOLE AND EXCLUSIVE REMEDY UNDER THIS WARRANTY.

THERE ARE NO WARRANTIES WHICH EXTEND BEYOND THE DESCRIPTION ON THE FACE OF THIS WARRANTY. WOODS MAKES NO OTHER WARRANTY, EXPRESS OR IMPLIED, AND WOODS SPECIFICALLY DISCLAIMS ANY IMPLIED WARRANTY OF MERCHANTABILITY AND/OR ANY IMPLIED WARRANTY OF FITNESS FOR A PARTICULAR PURPOSE.

WOODS shall not be liable for any incidental or consequential losses, damages or expenses, arising directly or indirectly from the product, whether such claim is based upon breach of contract, breach of warranty, negligence, strict liability in tort or any other legal theory. Without limiting the generality of the foregoing, Woods specifically disclaims any damages relating to (i) lost profits, business, revenues or goodwill; (ii) loss of crops; (iii) loss because of delay in harvesting; (iv) any expense or loss incurred for labor, supplies, substitute machinery or rental; or (v) any other type of damage to property or economic loss.

This Warranty is subject to any existing conditions of supply which may directly affect WOODS' ability to obtain materials or manufacture replacement parts.

No agent, representative, dealer, distributor, serviceperson, salesperson, or employee of any company, including without limitation, WOODS, its authorized dealers, distributors, and service centers, is authorized to alter, modify, or enlarge this Warranty. Answers to any questions regarding

<p>ALITEC™ CENTRAL FABRICATORS® GANNON® WAIN-ROY® WOODS®</p>	<p>BLOUNT EUROPE SA Rue Emile Francqui 5 1435 MONT-SANT-GUIBERT Belgium +32 10 301111 tel woodsequipment.eu</p>	<p>WOODS® A Blount International Brand 2606 South Illinois Route 2 Post Office Box 1000 Oregon, Illinois 61061 USA 800-319-6637 tel 800-399-6637 fax woodsequipment.com</p>
---	--	--



WARRANTY

(Replacement Parts For All Models Except Mow'n Machine™
Zero-Turn Mowers and Woods Boundary™ Utility Vehicles)

Woods Equipment Company ("WOODS") warrants this product to be free from defect in material and workmanship for a period of ninety (90) days from the date of delivery of the product to the original purchaser with the exception of V-belts, which will be free of defect in material and workmanship for a period of 12 months.

Under no circumstances will this Warranty apply in the event that the product, in the good faith opinion of WOODS, has been subjected to improper operation, improper maintenance, misuse, or an accident. This Warranty does not cover normal wear or tear, or normal maintenance items.

This Warranty is extended solely to the original purchaser of the product. Should the original purchaser sell or otherwise transfer this product to a third party, this Warranty does not transfer to the third party purchaser in any way. There are no third party beneficiaries of this Warranty.

WOODS' obligation under this Warranty is limited to, at WOODS' option, the repair or replacement, free of charge, of the product if WOODS, in its sole discretion, deems it to be defective or in noncompliance with this Warranty. **The product must be returned to WOODS with proof of purchase within thirty (30) days after such defect or noncompliance is discovered or should have been discovered, routed through the dealer and distributor from whom the purchase was made, transportation charges prepaid.** WOODS shall complete such repair or replacement within a reasonable time after WOODS receives the product. THERE ARE NO OTHER REMEDIES UNDER THIS WARRANTY. THE REMEDY OF REPAIR OR REPLACEMENT IS THE SOLE AND EXCLUSIVE REMEDY UNDER THIS WARRANTY.

THERE ARE NO WARRANTIES WHICH EXTEND BEYOND THE DESCRIPTION ON THE FACE OF THIS WARRANTY. WOODS MAKES NO OTHER WARRANTY, EXPRESS OR IMPLIED, AND WOODS SPECIFICALLY DISCLAIMS ANY IMPLIED WARRANTY OF MERCHANTABILITY AND/OR ANY IMPLIED WARRANTY OF FITNESS FOR A PARTICULAR PURPOSE.

WOODS shall not be liable for any incidental or consequential losses, damages or expenses, arising directly or indirectly from the product, whether such claim is based upon breach of contract, breach of warranty, negligence, strict liability in tort or any other legal theory. Without limiting the generality of the foregoing, Woods specifically disclaims any damages relating to (i) lost profits, business, revenues or goodwill; (ii) loss of crops; (iii) loss because of delay in harvesting; (iv) any expense or loss incurred for labor, supplies, substitute machinery or rental; or (v) any other type of damage to property or economic loss.

This Warranty is subject to any existing conditions of supply which may directly affect WOODS' ability to obtain materials or manufacture replacement parts.

No agent, representative, dealer, distributor, service person, salesperson, or employee of any company, including without limitation, WOODS, its authorized dealers, distributors, and service centers, is authorized to alter, modify, or enlarge this Warranty.

Answers to any questions regarding warranty service and locations may be obtained by contacting:

WOODS® | A Blount International Brand

2606 South Illinois Route 2
Post Office Box 1000
Oregon, Illinois 61061 USA
800-319-6637 tel
800-399-6637 fax
woodsequipment.com

BLOUNT EUROPE SA

Rue Emile Francqui 5
1435 MONT-SANT-GUIBERT
Belgium
+32 10 301111 tel
woodsequipment.eu

ALITEC™
CENTRAL FABRICATORS®
GANNON®
WAIN-ROY®
WOODS®