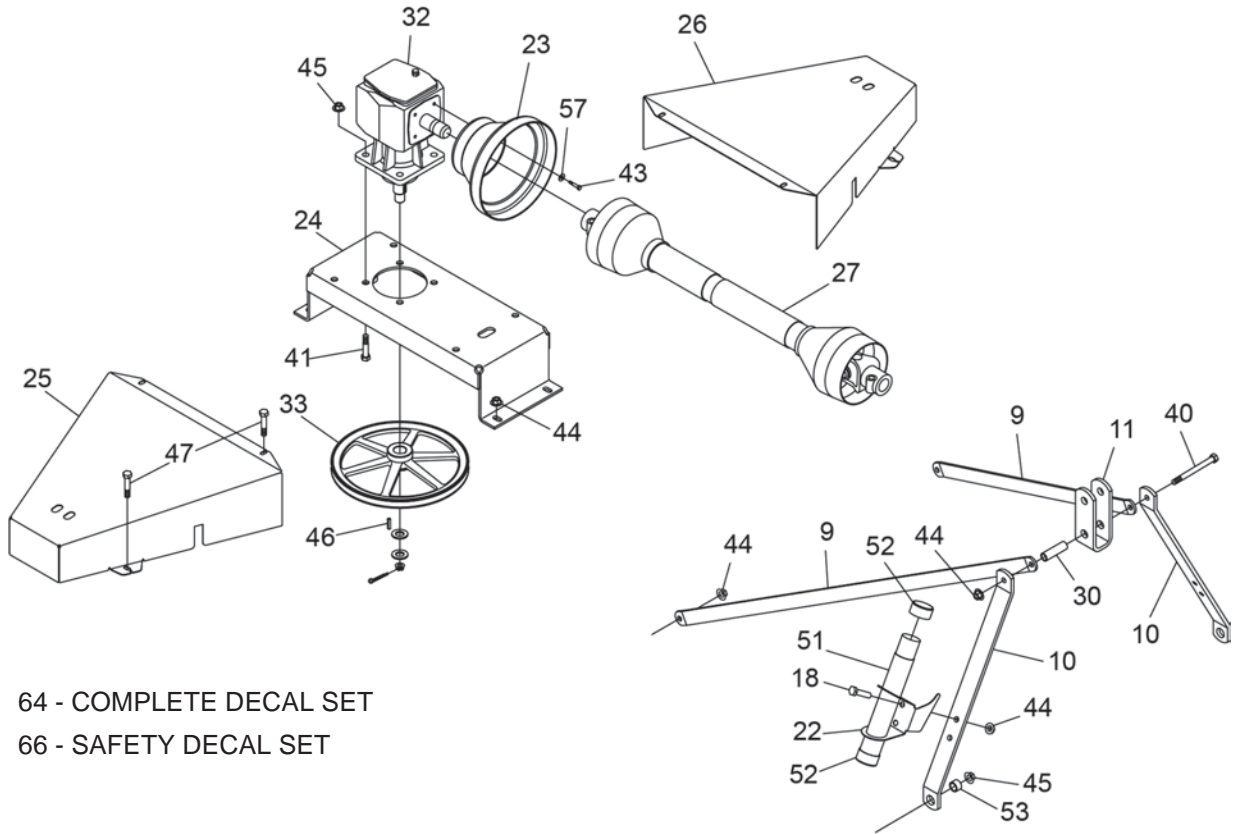


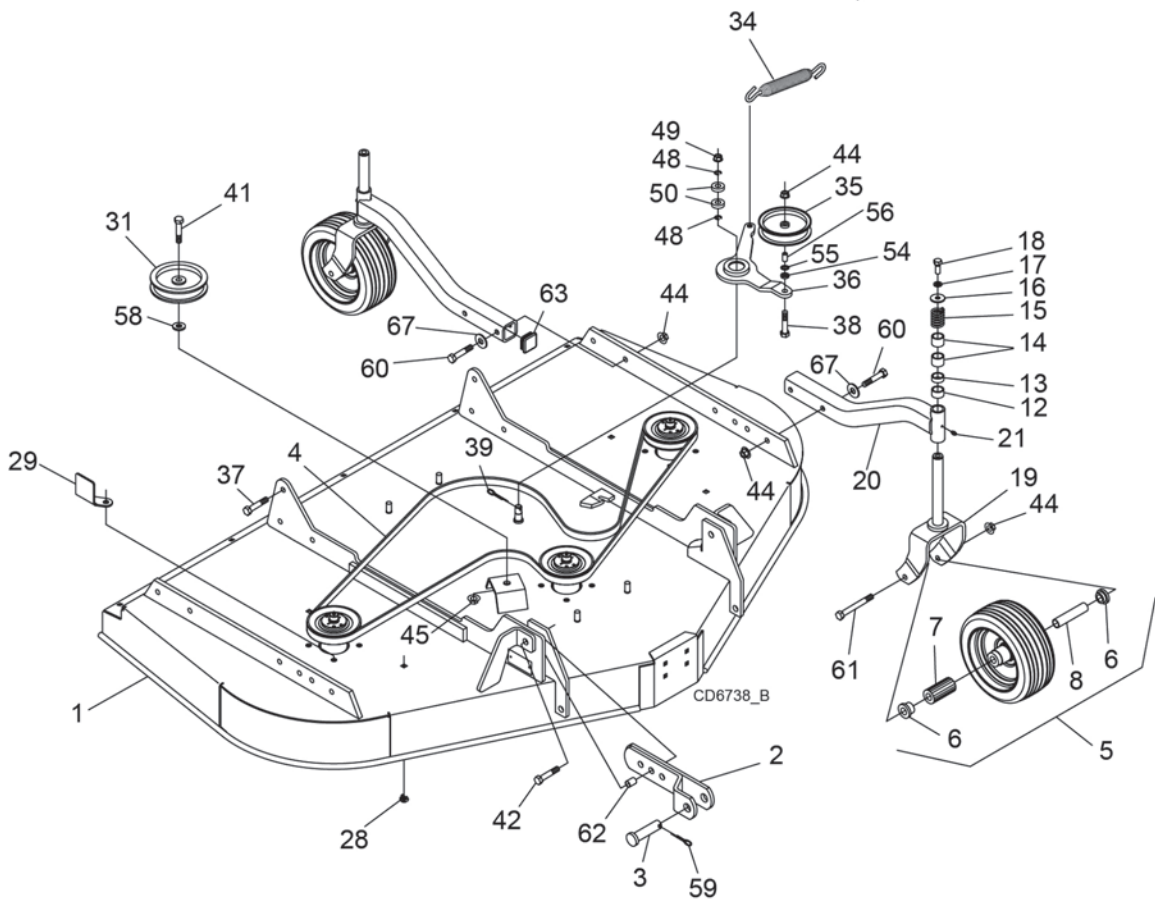
Premier Rear Discharge Mowers: PRD6000E PRD7200E PRD8400E

| | |
|--|-------|
| MAIN FRAME ASSEMBLY | 27-28 |
| GEARBOX ASSEMBLY | 28 |
| BLADE & SPINDLE ASSEMBLY | 29 |
| REAR CHAIN SHIELDING ASSEMBLY | 30 |
| FRONT ROLLER ASSEMBLY (OPTIONAL) | 30 |
| MULCH KIT (OPTIONAL) | 31 |
| QUICK HITCH KIT (OPTIONAL) | 32 |
| SKID SHOE KIT (OPTIONAL) | 33 |

PRD6000E, PRD7200E & PRD8400E MAIN FRAME ASSEMBLY
PRD6000E, PRD7200E & DF
PRD8400E MAIN FRAME ASSEMBLY



64 - COMPLETE DECAL SET
 66 - SAFETY DECAL SET

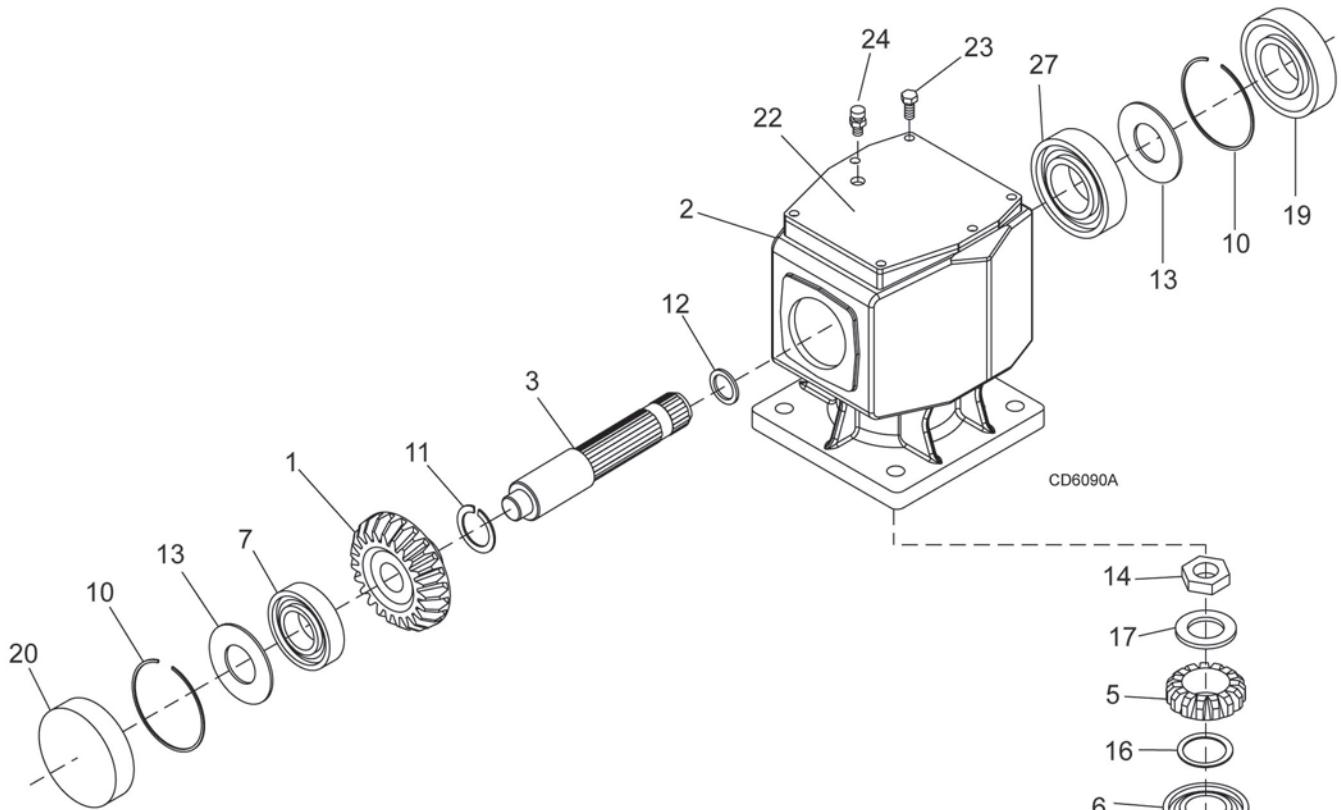


**PRD6000E, PRD7200E & PRD8400E MAIN FRAME ASSEMBLY PRD6000E, PRD7200E & DF
PRD8400E MAIN FRAME ASSEMBLY**

| REF | PART | QTY | DESCRIPTION | REF | PART | QTY | DESCRIPTION |
|-----|-----------|-----|---|-----|-----------|-----|---|
| 1 | ---- | 1 | Main Frame (not sold separately) | 29 | 53567RP | 1 | Guide, Belt 4.2 mm (8 GA) Formed |
| 2 | 1016501RP | 2 | Hitch | 30 | 64814 | 1 | Sleeve, 15.9 x 21.3 x 73.0 mm (.62 x .84 x 2.88") |
| 3 | 20409 | 2 | Clevis Pin, 22.2 x 76.3 mm (7/8 x 3") | 31 | 64555 | 1 | Idler, Flat 5.5 PD |
| 4 | 1001244 | 1 | V-Belt W99 (PRD6000E) -or- | 32 | 1002499 | 1 | Gearbox 1:1.92 (see page 28) |
| 4 | 18879RP | 1 | V-Belt W112 (PRD7200E) -or- | 33 | 1014410 | 1 | Sheave, Offset 13.25 PD |
| 4 | 53418 | 1 | V-Belt W157 (PRD8400E) | 34 | 1042375 | 1 | Spring, Ext 4.5 x 31.0 x 250.8 mm (.177 x 1.22 x 9.88"), cap hook |
| 5 | WP1016511 | 4 | Wheel gray, 101.6 x 254 mm (4 x 10") w/Bearing & Sleeve | 35 | 53595 | 1 | Idler, Flat 5.0 PD (PRD6000E & PRD7200E) -or- |
| 6 | 65577 | 8 | Bearing, Flanged Wheel 19.1 x 35.9 mm (.75 x 1.415") | 35 | 64555 | 1 | Idler, Flat 5.5 PD (PRD8400E) |
| 7 | 19756 | 4 | Bearing, Roller 19.1 x 34.9 x 63.5 mm (.75 x 1.38 x 2.5) | 36 | 58989RP | 1 | Idler Arm |
| 8 | 19749 | 4 | Sleeve, 13.3 x 19.1 x 104.9 mm (.525 x .75 x 4.13") | 37 | 24576 * | 2 | Screw, 1/2 NC x 1-3/4 HHCS GR5 |
| 9 | 55331RP | 2 | Rear Offset Link Arm (PRD6000E) -or- | 38 | 25474 * | 1 | Screw, 1/2 NC x 2-1/4 HHCS GR5 |
| 9 | 19578RP | 2 | Rear Offset Link Arm (PRD7200E) -or- | 39 | 1266RP * | 1 | Cotter Pin, 3/16 x 1-1/2 |
| 9 | 52873RP | 2 | Rear Offset Link Arm (PRD8400E) | 40 | 29561 * | 1 | Screw, 1/2 NC x 4-3/4 HHCS GR5 |
| 10 | 19579RP | 2 | A-Frame Arm | 41 | 19024 | 5 | Screw, 5/8 NC x 1-3/4 Flanged HHCS |
| 11 | 19605RP | 1 | Top Link U-Bracket | 42 | 34473 * | 2 | Screw, 5/8 NC x 3 HHCS GR5 |
| 12 | 33647 | 4 | Sleeve, 26.7 x 33.3 x 19.1 mm (1.05 x 1.31 x .75") (PRD6000E & PRD7200E) -or- | 43 | 39254 | 4 | Screw, M8 x 1.25P x 16 mm HHCS |
| 12 | 52854 | 4 | Sleeve, 32.5 x 42.2 x 19.1 mm (1.28 x 1.66 x .75") (PRD8400E) | 44 | 11900RP * | 22 | Nut, 1/2 NC Flanged Lock |
| 13 | 65129 | 4 | Sleeve, 26.7 x 33.3 x 12.7 mm (1.05 x 1.31 x .50") (PRD6000E & PRD7200E) -or- | 45 | 19025RP | 7 | Nut, 5/8 NC Flanged Lock |
| 13 | 52853 | 4 | Sleeve, 32.5 x 42.2 x 19.1 mm (1.28 x 1.66 x .50") (PRD8400E) | 46 | 29792 * | 1 | Key, 1/4 x 1/4 x 1-1/4 HT |
| 14 | 65130 | 8 | Sleeve, 26.7 x 33.3 x 25.4 mm (1.05 x 1.31 x 1.00") (PRD6000E & PRD7200E) -or- | 47 | 62153 | 8 | Screw, 3/8 NC x 1 HHCS Flng Serrated |
| 14 | 52855 | 8 | Sleeve, 32.5 x 42.2 x 25.4 mm (1.28 x 1.66 x 1.00") (PRD8400E) | 48 | 35141RP | 2 | Retaining Ring |
| 15 | 67407RP | 4 | Spring, Comp 35.6 x 4.8 x 53.3 mm, 1.1 kN (1.40 x .19 x 2.1", 257 lbs/in) | 49 | 302178RP | 1 | Nut, 5/8 NF Castle |
| 16 | 33677 | 4 | Washer, Flat 12.7 x 39.6 x 3.4 mm (.50 x 1.56 x 10 GA) | 50 | 35193RP | 2 | Bearing |
| 17 | 855RP * | 4 | Washer, Lock 1/2 | 51 | 1004656 | 1 | Manual Tube - PVC |
| 18 | 6100RP * | 6 | Screw, 1/2 NC x 1-1/4 HHCS GR5 | 52 | 1004657 | 2 | Caplug, 50.8 x 25.4 mm (2.0 ID x 1.0) |
| 19 | 19747RP | 4 | Caster Yoke & Shaft Asy (PRD6000E & PRD7200E) -or- | 53 | 484 | 2 | Sleeve, 15.9 x 25.4 x 11.1 mm (5/8 x 1 x 7/16") |
| 19 | 52859RP | 4 | Caster Yoke & Shaft Asy (PRD8400E) | 54 | 24537 | 1 | Washer, Flat 12.7 x 34.9 x 9.6 mm (.50 x 1.38 x .38") |
| 20 | 1014401RP | 4 | Caster Arm (PRD6000 & PRD7200E) -or- | 55 | 31983 | 1 | Washer, Shim 12.7 x 22.2 x 1.2 mm (.50 x .88 x 18 GA) |
| 20 | 1014403RP | 4 | Caster Arm (PRD8400E only) | 56 | 52877 | 1 | Sleeve, 12.8 x 15.9 x 16.3 mm (.504 x .625 x .64") (PRD8400E) |
| 21 | 12296 * | 4 | Grease Fitting 1/4-28 Straight, 15/32 lg | 57 | 4378RP * | 4 | Washer, Flat Standard 5/16 |
| 22 | 1014416 | 1 | Manual Tube Holder / PTO Hanger | 58 | 1517 | 1 | Washer, Flat 15.9 x 34.9 x 4.6 mm (.625 x 1.38 x 7 GA) |
| 23 | 51849 | 1 | Shield, Counter-Cone | 59 | 18270 | 2 | Pin, Safety 3/16 |
| 24 | 53534RP | 1 | Gearbox Stand | 60 | 1637 * | 8 | Screw, 1/2 NC x 3-1/2 HHCS GR5 |
| 25 | 1014417RP | 1 | Belt Shield, Right (PRD6000E) -or- | 61 | 23479RP | 4 | Screw, 1/2 NC x 5 HHCS GR5 (PRD6000E & PRD7200E) -or- |
| 25 | 1014418RP | 1 | Belt Shield, Right (PRD7200E) -or- | 61 | 12305 | 4 | Screw, 1/2 NC x 5-1/2 HHCS GR5 (PRD8400E) |
| 25 | 52874RP | 1 | Belt Shield, Right (PRD8400E) | 62 | 12313 | 2 | Sleeve, 15.9 x 25.4 x 20.6 mm (5/8 x 1 x 13/16") HT |
| 26 | 1014417RP | 1 | Belt Shield, Left (PRD6000E) -or- | 63 | 1016512 | 4 | Caplug, Square 44.5 x 11.1 mm (1.75 x .44") |
| 26 | 1014418RP | 1 | Belt Shield, Left (PRD7200E) -or- | 64 | 1017354 | 1 | Decal Set, Complete - PRD6000E -or- |
| 26 | 52875RP | 1 | Belt Shield, Left (PRD8400E) | 64 | 1017355 | 1 | Decal Set, Complete - PRD7200E -or- |
| 28 | 1008011 | 4 | Nut, 3/8 NC Square w/Retainer | 64 | 1017356 | 1 | Decal Set, Complete - PRD8400E |
| | | | | 66 | 53591 | 1 | Safety Decal Set, English |
| | | | | 67 | 3598 | 8 | Washer, 1/2 SAE Flat |

* Standard Hardware, Obtain Locally

PRD6000E, PRD7200E & PRD8400E GEARBOX ASSEMBLY

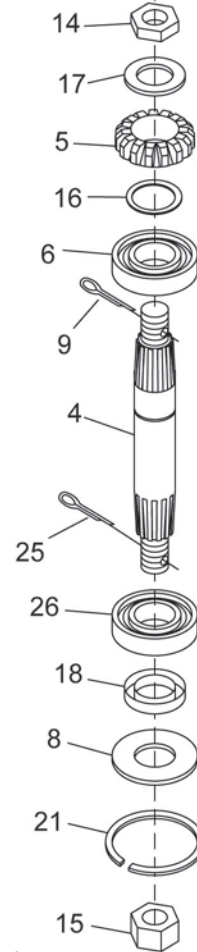


| REF | PART | QTY | DESCRIPTION |
|-----|---------|-----|--|
| A | 1002499 | 1 | Gearbox Assembly, Complete |
| 1 | 57458 | 1 | Gear, Crown 25T M5.3 |
| 2 | NSS | 1 | Gearbox Housing |
| 3 | 1005320 | 1 | Shaft, Input 1-3/8 -6 |
| 4 | 1005321 | 1 | Shaft, Output 1-1/4 |
| 5 | 57491 | 1 | Pinion Gear 13T M5.3 |
| 6 | 57476 | 1 | Bearing Cup & Cone |
| 7 | 57462 | 1 | Bearing Cup & Cone |
| 8 | 20888 | 1 | Washer, 40.1 x 79.5 x 1.0 mm (1.58 x 3.13 x .04) Protective Flat |
| 9 | * | 1 | Pin, Cotter B4 x 50 |
| 10 | 57466 | 2 | Snap Ring |
| 11 | 20895 | 1 | Snap Ring, 45 mm |
| 12 | 57373 | 1 | Spacer, 35.3 x 48 x 2.5 |
| 13 | 57328 | 2 | Kit, Shim 60.3 x 71.6 |
| 14 | 57468 | 1 | Nut, Castle |
| 15 | 51946 | 1 | Nut, Castle M24 x 2 |
| 16 | 57328 | 1 | Kit, Shim 30.3 x 44 |
| 17 | 57473 | 1 | Washer, 21 x 37 x 3 mm Flat |
| 18 | 20900 | 1 | Seal, Oil 40 x 80 x 12 mm |
| 19 | 57463 | 1 | Seal, Oil 35 x 72 x 10 mm |
| 20 | 57374 | 1 | Oil Cap |

| REF | PART | QTY | DESCRIPTION |
|-----|-------|-----|--------------------------|
| 21 | 20897 | 1 | Snap Ring SB 81 Int |
| 22 | 57375 | 1 | Cover, Top |
| 23 | * | 6 | Bolt, 8 mm x 14 mm |
| 24 | 57076 | 1 | Plug, 1/2 Breather Level |
| 25 | * | 1 | Pin, Cotter 5 x 50 |
| 26 | 57478 | 1 | Bearing Cup & Cone |
| 27 | 20890 | 1 | Ball Bearing |

NSS Not Sold Separately

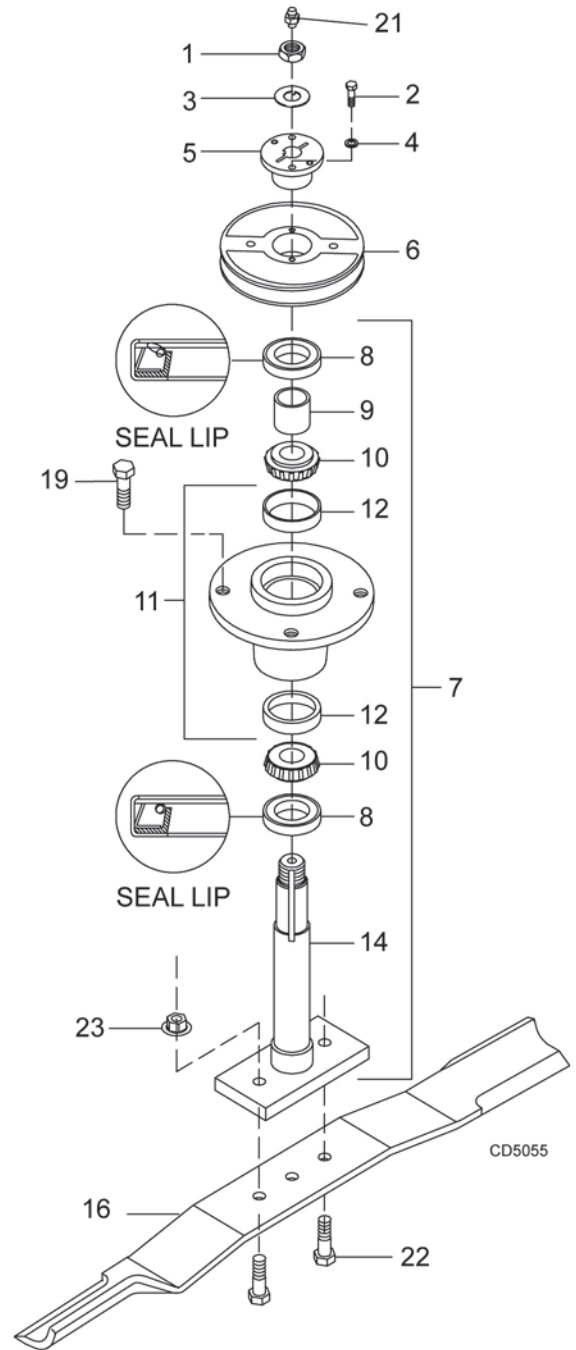
* Obtain Locally



PRD6000E, PRD7200E & PRD8400E BLADE & SPINDLE ASSEMBLY

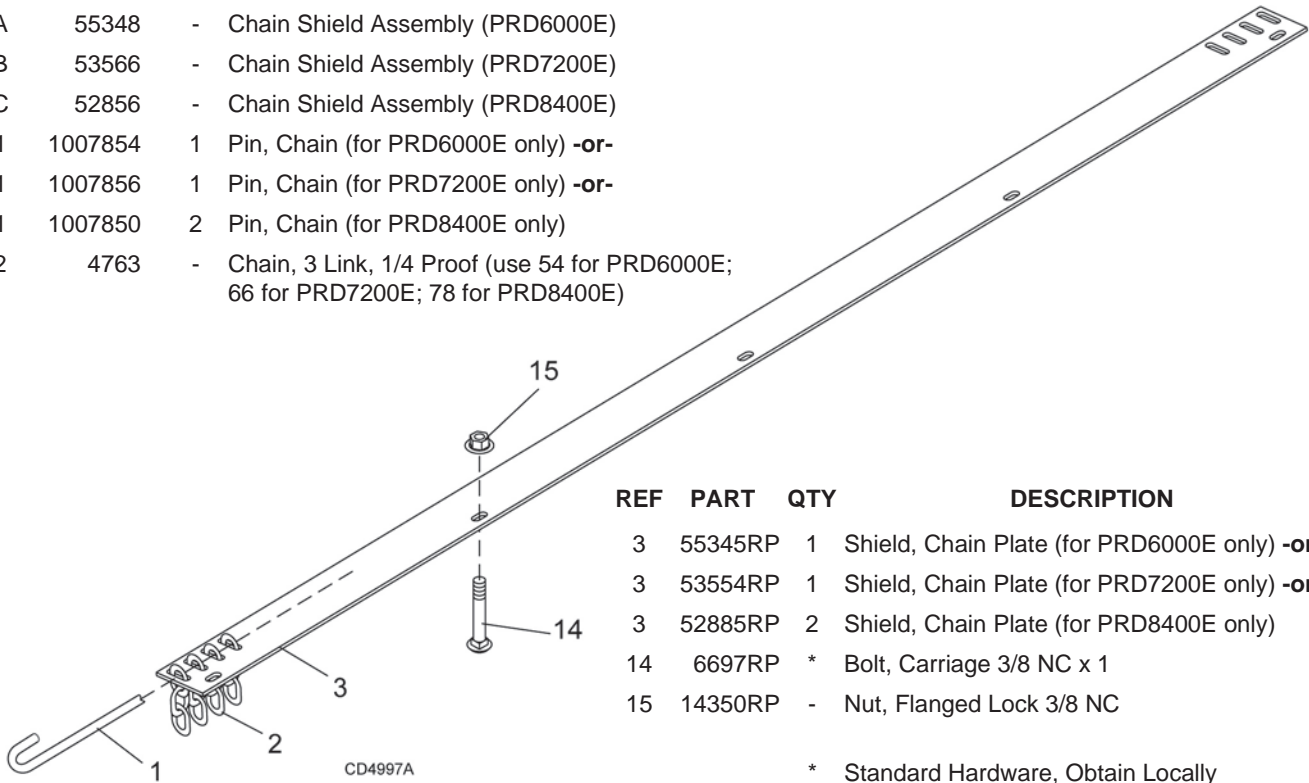
| REF | PART | DESCRIPTION |
|-----|-----------|--|
| 1 | 37009RP | Nut, Jam 7/8 NF |
| 2 | 10378RP * | Screw, HHCS 1/4 NC x 1 GR5 |
| 3 | 52898 | Washer, Lock 23.6 x 42.2 mm (.929 x 1.66") |
| 4 | 1985RP * | Washer, Lock 1/4 |
| 5 | 34440 | Bushing, H 1 Straight bore w/key |
| 6 | 66694 | Sheave, H 1 BK 4.17 PD (PRD6000E) |
| | -or- | |
| 6 | 12622RP | Sheave, H 1 BK 5.0 PD (PRD7200E) |
| | -or- | |
| 6 | 53419RP | Sheave, H 1 BK 5.9 PD (PRD8400E) |
| 7 | 52881 | Spindle Assembly, Complete |
| 8 | 52949 | Seal, 38.1 x 53.8 x 7.9 mm (1.50 x 2.12 x .31") |
| 9 | 52872 | Sleeve, 29.0 x 38.1 x 14.0 mm (1.14 x 1.50 x .55") |
| 10 | 29899 | Bearing Cone |
| 11 | 52882 | Blade Spindle Housing with Cups |
| 12 | 29898 | Bearing Cup |
| 14 | 52852RP | Shaft, Blade Spindle |
| 16 | 1001513KT | Blade Kit, High Suction 533.4 mm (21") (set of 3) (PRD6000E) |
| 16 | 1008199KT | Blade Kit, High Suction 635 mm (25") (set of 3) (PRD7200E) |
| 16 | 53417KT | Blade Kit, High Suction 745 mm (29.33") (set of 3) (PRD8400E) |
| 16 | 1001510KT | Blade Kit, Low Suction 533.4 mm 9 (21") (set of 3) (PRD6000E) |
| 16 | 1001511KT | Blade Kit, Low Suction 635 mm (25") (set of 3) (PRD7200E) |
| 16 | 1001512KT | Blade Kit, Low Suction 745 mm (29.33") (set of 3) (PRD8400E) |
| 19 | 4358 | Screw, HHCS 1/2 NF x 1-1/4 GR5 |
| 21 | 1972 * | Grease Fitting, 1/4-28 Tapered Thread |
| 22 | 3379RP * | Screw, HHCS 1/2 NC x 1-1/2 GR5 |
| 23 | 11900RP * | Nut, Flanged Lock 1/2 NC |

* Standard Hardware - Obtain Locally



**PRD6000E, PRD7200E & PRD8400E
REAR CHAIN SHIELDING ASSEMBLY (OPTIONAL)**

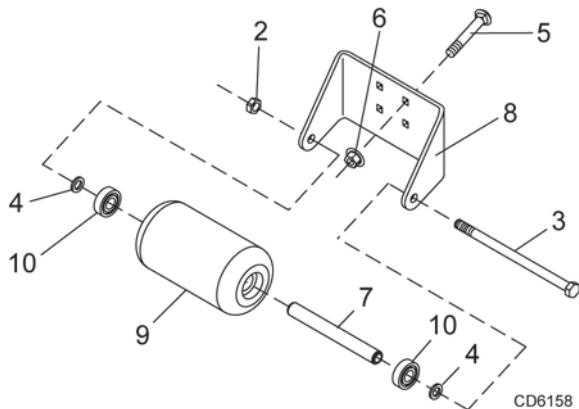
| REF | PART | QTY | DESCRIPTION |
|-----|---------|-----|---|
| A | 55348 | - | Chain Shield Assembly (PRD6000E) |
| B | 53566 | - | Chain Shield Assembly (PRD7200E) |
| C | 52856 | - | Chain Shield Assembly (PRD8400E) |
| 1 | 1007854 | 1 | Pin, Chain (for PRD6000E only) -or- |
| 1 | 1007856 | 1 | Pin, Chain (for PRD7200E only) -or- |
| 1 | 1007850 | 2 | Pin, Chain (for PRD8400E only) |
| 2 | 4763 | - | Chain, 3 Link, 1/4 Proof (use 54 for PRD6000E; 66 for PRD7200E; 78 for PRD8400E) |



| REF | PART | QTY | DESCRIPTION |
|-----|---------|-----|---|
| 3 | 55345RP | 1 | Shield, Chain Plate (for PRD6000E only) -or- |
| 3 | 53554RP | 1 | Shield, Chain Plate (for PRD7200E only) -or- |
| 3 | 52885RP | 2 | Shield, Chain Plate (for PRD8400E only) |
| 14 | 6697RP | * | Bolt, Carriage 3/8 NC x 1 |
| 15 | 14350RP | - | Nut, Flanged Lock 3/8 NC |

* Standard Hardware, Obtain Locally

PRD6000E, PRD7200E & PRD8400E FRONT ROLLER ASSEMBLY (OPTIONAL)



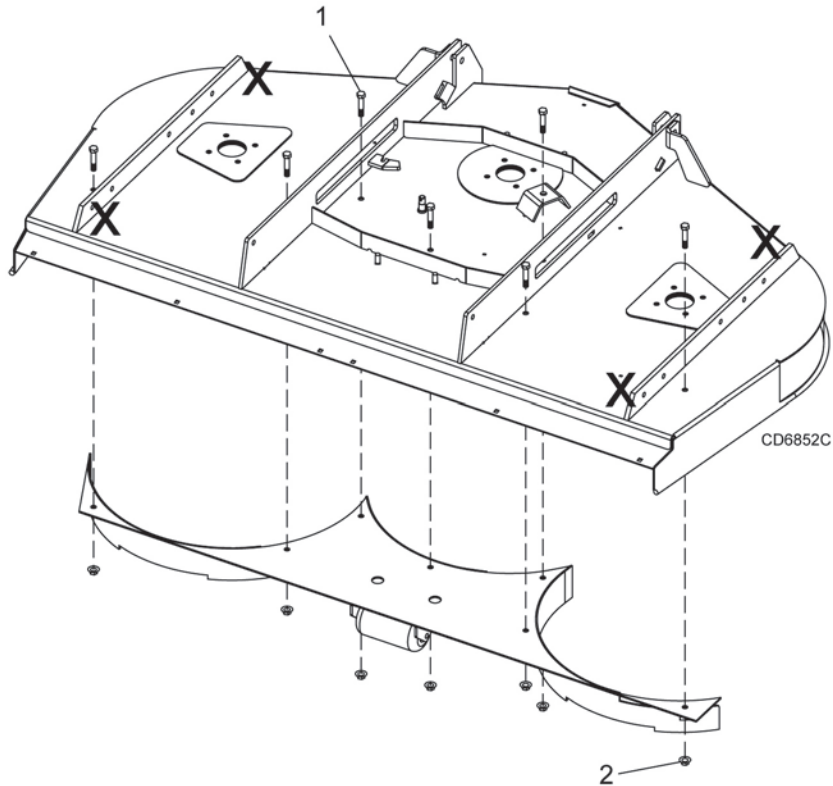
| REF | PART | QTY | DESCRIPTION |
|-----|-----------|-----|---------------------------------------|
| A | 1006417KT | 1 | Front Roller Kit, Complete |
| 2 | 11900RP | * | 1/2 NC Flanged Lock Nut |
| 3 | 38107 | 1 | 1/2 NC x 9 Cap Screw GR5 |
| 4 | 3598 | 2 | 1/2 Flat Washer SAE |
| 5 | 6697RP | * | 3/8 NC x 1 Carriage Bolt GR5 |
| 6 | 70069 | 4 | 3/8 NC Flanged Whiz Nut |
| 7 | 1006420 | 1 | Spacer, 19.1 x 184.7 mm (.75 x 7.27") |
| 8 | 1006419RP | 1 | Bracket, Front Roller |
| 9 | 1006418 | 1 | Roller, 101.6 x 187.5 mm (4 x 7.38") |
| 10 | 35193RP | 2 | Bearing |

* Standard Hardware, Obtain Locally

30 Parts

MAN1260 (4/09/2018)

MULCHING KIT (OPTIONAL)



NOTE: Use high lift blades for best performance if tractor does not have enough horsepower for the high lift blades, then use low lift blades.

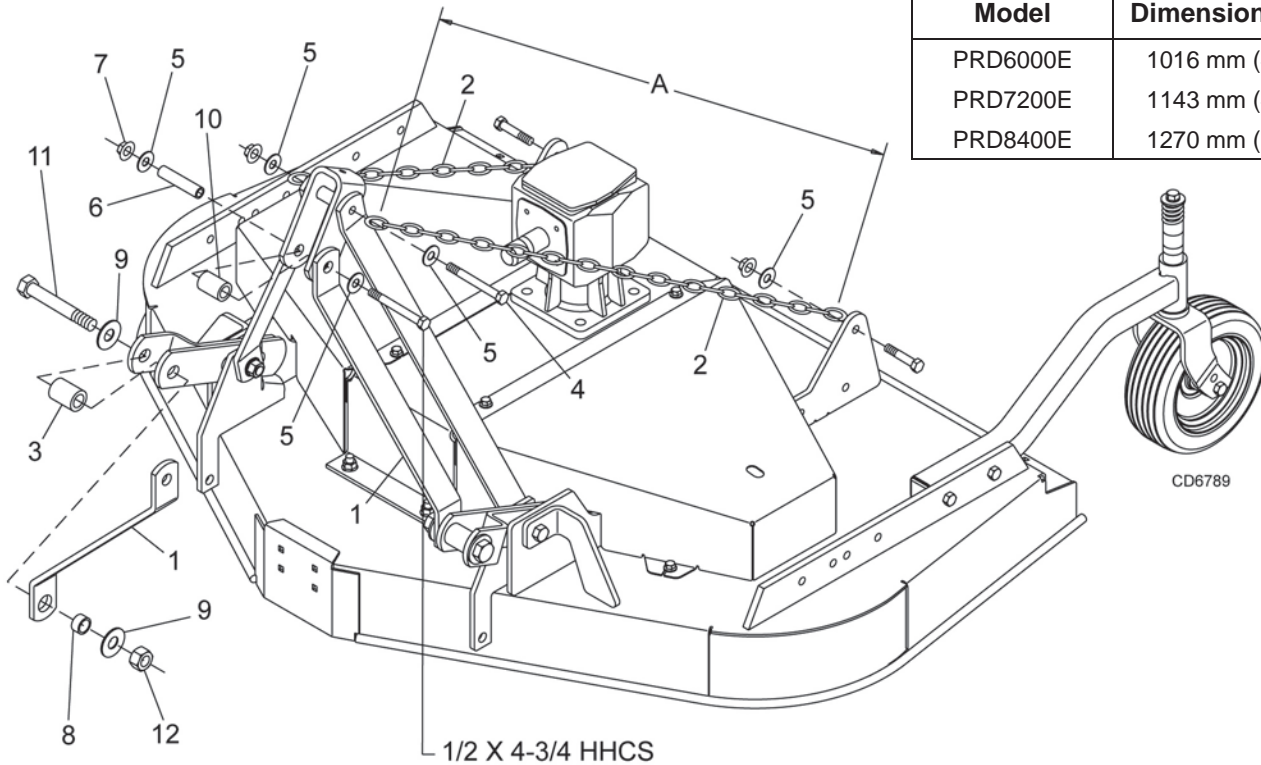
| REF | PART | QTY | DESCRIPTION |
|-----|-----------|-----|-------------------------------------|
| A | 1019430 | 1 | PRD6000E Mulching kit |
| A | 1019431 | 1 | PRD7200E Mulching kit |
| A | 1019432 | 1 | PRD8400E Mulching kit |
| 1 | 6100RP * | - | 1/2 NC x 1-1/4 Cap screw GR5 |
| 2 | 11900RP * | - | 1/2 NC Flanged lock nut |
| | | | * Standard Hardware, Obtain Locally |

INSTALLATION INSTRUCTIONS

1. Using the tractor 3-point, or suitable lifting device, carefully lower deck onto 101.6 - 152.4 mm (4" - 6") high blocks at each corner of the deck (X).
2. Make sure deck is stable before proceeding.
3. Wear safety glasses or goggles to prevent eye injury while drilling holes.
4. Clamp mulching kit in place. Make sure baffles are completely closed-off by the kit.
5. Inspect fit-up to confirm that there will be no contact between blades and kit at any time. Failure to do so will result in product damage and possible injury.
6. Mark the holes to be drilled.
7. Once marked, remove the kit and carefully drill the holes out using a 14.3 mm (9/16") drill bit.
8. After holes are drilled, bolt the kit into place torquing bolts to 115 N-m (85 lbs-ft).

QUICK HITCH KIT (OPTIONAL)

| CHAIN CUT-TO-LENGTH CHART | |
|---------------------------|---------------|
| Model | Dimension "A" |
| PRD6000E | 1016 mm (40") |
| PRD7200E | 1143 mm (45") |
| PRD8400E | 1270 mm (50") |



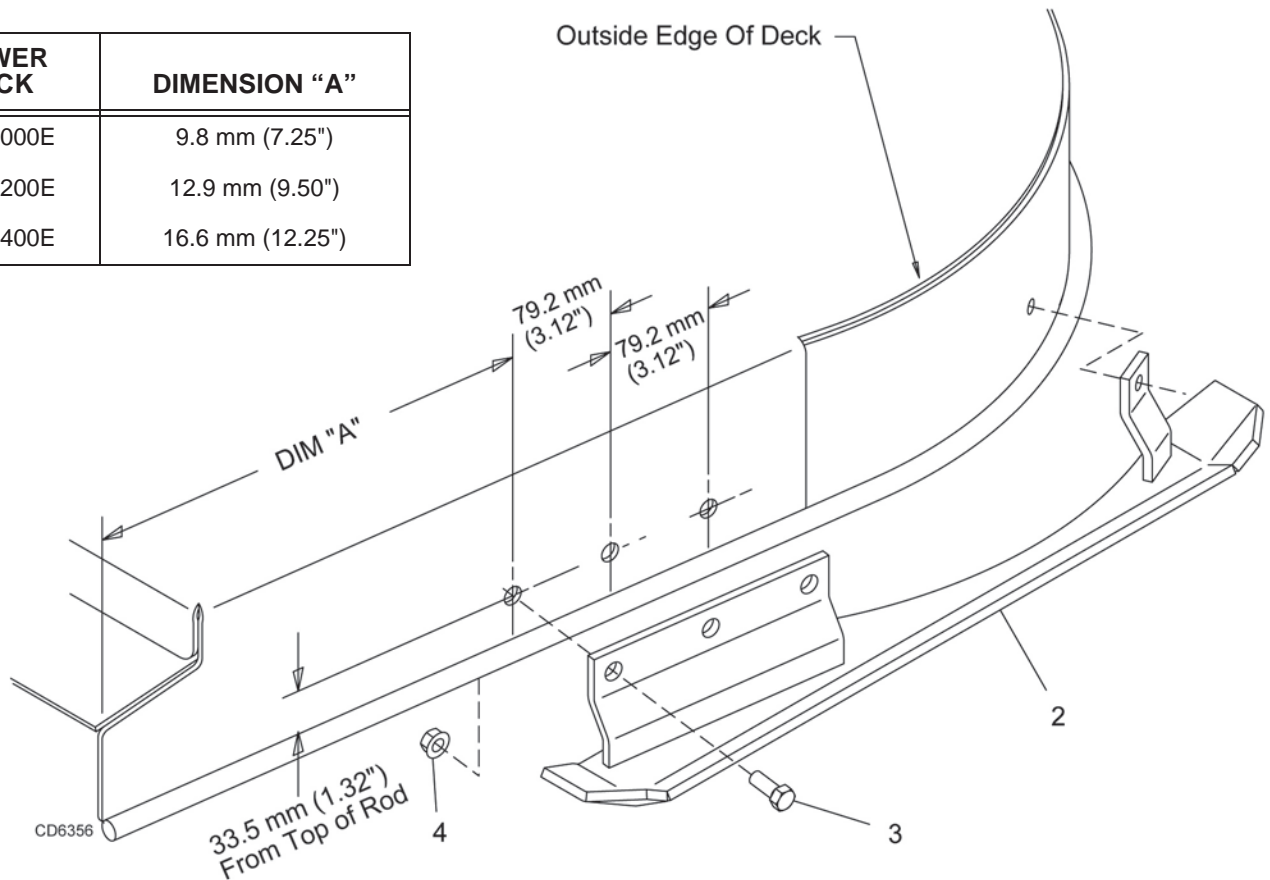
NOTE: This kit is used on other models. Use only the hardware listed below.

| REF | PART | QTY | DESCRIPTION |
|-----|-----------|-----|--|
| 1 | 1003692RP | 2 | Link, Offset 9.5 x 50.8 x 381 mm (.38 x 2.0 x 15") |
| 2 | 1005401 | 2 | Chain, 9.5 mm (3/8") Proof Coil 38-Link |
| 3 | 1016517 | 2 | Sleeve, 23.8 x 36.5 x 49.2 mm (.94 x 1.44 x 1.94") |
| 4 | 13563 | 1 | Screw, 1/2 NC x 6 HHCS GR5 |
| 5 | 854RP* | 6 | Washer, 1/2" Flat |
| 6 | 29368 | 1 | Sleeve, 12.7 x 19.1 x 85.7 mm (.50 x .75 x 3.38") |
| 7 | 11900RP* | 1 | Nut, 1/2 NC Flange Lock |
| 8 | 29281 | 2 | Sleeve, 22.2 x 28.6 x 15.1 mm (7/8 x 1-1/8 x 19/32") |
| 9 | 1257* | 4 | Washer, 3/4 Flat |
| 10 | 1003614 | 1 | Sleeve, 20.6 x 31.8 x 46.0 mm (.81 x 1.25 x 1.81:) |
| 11 | 12558* | 2 | Screw, 3/4 NC x 4-1/2 HHCS |
| 12 | 1450* | 2 | Nut, 3/4 NC Plated Hex |

* Standard Hardware, Obtain Locally

SKID SHOE KIT (OPTIONAL)

| MOWER DECK | DIMENSION "A" |
|------------|------------------|
| PRD6000E | 9.8 mm (7.25") |
| PRD7200E | 12.9 mm (9.50") |
| PRD8400E | 16.6 mm (12.25") |



| REF | PART | QTY | DESCRIPTION |
|-----|-----------|-----|---|
| A | 1004111 | 1 | Skid Shoe Kit (contains 1 left and 1 right skid shoe) |
| 1 | 1004105RP | 1 | Skid Shoe, Left |
| 2 | 1004106RP | 1 | Skid Shoe, Right |
| 3 | 6100RP | * | - Screw, 1/2 NC x 1-1/4 HHCS GR5 |
| 4 | 11900RP | * | - Nut, 1/2 NC Flange Lock |

* Obtain Locally

INSTALLATION INSTRUCTIONS

1. Locate and drill three .72 mm (17/32") holes using the dimensions from the drawing and table above.
2. Secure skid shoe with three cap screws (3) and flange lock nuts (4).
3. Use the skid shoe as a guide and drill the remaining hole. Make sure skid shoe is parallel to the top of the deck.

BOLT TORQUE CHART

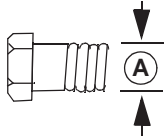
Always tighten hardware to these values unless a different torque value or tightening procedure is listed for a specific application.

Fasteners must always be replaced with the same grade as specified in the manual parts list.

Always use the proper tool for tightening hardware: SAE for SAE hardware and Metric for metric hardware.

Make sure fastener threads are clean and you start thread engagement properly.

All torque values are given to specifications used on hardware defined by SAE J1701 MAR 99 & J1701M JUL 96.



SAE SERIES TORQUE CHART



SAE Grade 2
(No Dashes)

SAE Bolt Head Identification

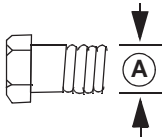


SAE Grade 5
(3 Radial Dashes)



SAE Grade 8
(6 Radial Dashes)

| Ⓐ Diameter (Inches) | Wrench Size | MARKING ON HEAD | | | | | |
|---------------------------|----------------|-----------------|-----|--------|-----|--------|------|
| | | SAE 2 | | SAE 5 | | SAE 8 | |
| | | lbs-ft | N-m | lbs-ft | N-m | lbs-ft | N-m |
| 1/4" | 7/16" | 6 | 8 | 10 | 13 | 14 | 18 |
| 5/16" | 1/2" | 12 | 17 | 19 | 26 | 27 | 37 |
| 3/8" | 9/16" | 23 | 31 | 35 | 47 | 49 | 67 |
| 7/16" | 5/8" | 36 | 48 | 55 | 75 | 78 | 106 |
| 1/2" | 3/4" | 55 | 75 | 85 | 115 | 120 | 163 |
| 9/16" | 13/16" | 78 | 106 | 121 | 164 | 171 | 232 |
| 5/8" | 15/16" | 110 | 149 | 170 | 230 | 240 | 325 |
| 3/4" | 1-1/8" | 192 | 261 | 297 | 403 | 420 | 569 |
| 7/8" | 1-5/16" | 306 | 416 | 474 | 642 | 669 | 907 |
| 1" | 1-1/2" | 467 | 634 | 722 | 979 | 1020 | 1383 |



METRIC SERIES TORQUE CHART



Metric
Grade 8.8

Metric Bolt Head Identification



Metric
Grade 10.9

| Ⓐ Diameter & Thread Pitch (Millimeters) | Wrench Size | COARSE THREAD | | | | FINE THREAD | | | | Ⓐ Diameter & Thread Pitch (Millimeters) |
|--|----------------|-----------------|--------|-------------|--------|-----------------|--------|-------------|--------|--|
| | | MARKING ON HEAD | | | | MARKING ON HEAD | | | | |
| | | Metric 8.8 | | Metric 10.9 | | Metric 8.8 | | Metric 10.9 | | |
| | | N-m | lbs-ft | N-m | lbs-ft | N-m | lbs-ft | N-m | lbs-ft | |
| 6 x 1.0 | 10 mm | 8 | 6 | 11 | 8 | 8 | 6 | 11 | 8 | 6 x 1.0 |
| 8 x 1.25 | 13 mm | 20 | 15 | 27 | 20 | 21 | 16 | 29 | 22 | 8 x 1.0 |
| 10 x 1.5 | 16 mm | 39 | 29 | 54 | 40 | 41 | 30 | 57 | 42 | 10 x 1.25 |
| 12 x 1.75 | 18 mm | 68 | 50 | 94 | 70 | 75 | 55 | 103 | 76 | 12 x 1.25 |
| 14 x 2.0 | 21 mm | 109 | 80 | 151 | 111 | 118 | 87 | 163 | 120 | 14 x 1.5 |
| 16 x 2.0 | 24 mm | 169 | 125 | 234 | 173 | 181 | 133 | 250 | 184 | 16 x 1.5 |
| 18 x 2.5 | 27 mm | 234 | 172 | 323 | 239 | 263 | 194 | 363 | 268 | 18 x 1.5 |
| 20 x 2.5 | 30 mm | 330 | 244 | 457 | 337 | 367 | 270 | 507 | 374 | 20 x 1.5 |
| 22 x 2.5 | 34 mm | 451 | 332 | 623 | 460 | 495 | 365 | 684 | 505 | 22 x 1.5 |
| 24 x 3.0 | 36 mm | 571 | 421 | 790 | 583 | 623 | 459 | 861 | 635 | 24 x 2.0 |
| 30 x 3.0 | 46 mm | 1175 | 867 | 1626 | 1199 | 1258 | 928 | 1740 | 1283 | 30 x 2.0 |

Typical Washer Installations



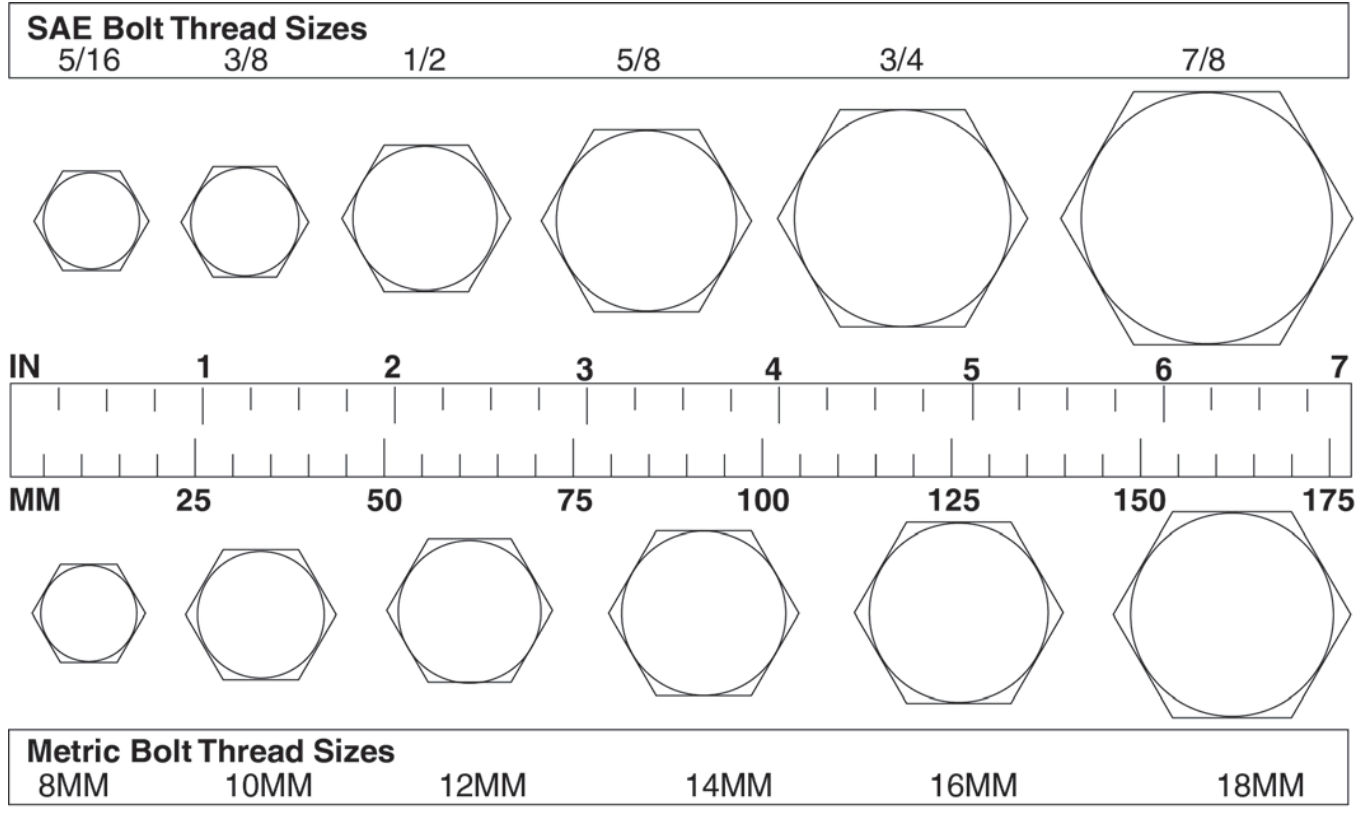
Flat Washer



Hcv Y

BOLT SIZE CHART

NOTE: Chart shows bolt thread sizes and corresponding head (wrench) sizes for standard SAE and metric bolts.



ABBREVIATIONS

| | | | |
|--------------------|---|---------------|-------------------------------------|
| AG | Agriculture | MPa..... | Mega Pascal |
| ASABE..... | American Society of Agricultural & Biological Engineers (formerly ASAE) | N..... | Newton |
| ASAE | American Society of Agricultural Engineers | NC | National Coarse |
| ATF..... | Automatic Transmission Fluid | NF | National Fine |
| BSPP | British Standard Pipe Parallel | NPSM..... | National Pipe Straight Mechanical |
| BSPTM | British Standard Pipe Tapered Male | NPT | National Pipe Tapered |
| CV..... | Constant Velocity | NPT SWF | National Pipe Tapered Swivel Female |
| CCW | Counter-Clockwise | ORBM | O-Ring Boss - Male |
| CW..... | Clockwise | P..... | Pitch |
| F | Female | PBY | Power-Beyond |
| FT | Full Thread | psi..... | Pounds per Square Inch |
| GA | Gauge | PTO..... | Power Take Off |
| GR (5, etc.) | Grade (5, etc.) | QD..... | Quick Disconnect |
| HHCS | Hex Head Cap Screw | RH..... | Right Hand |
| HT..... | Heat-Treated | ROPS | Roll-Over Protective Structure |
| JIC | Joint Industry Council 37° Degree Flare | RPM | Revolutions Per Minute |
| LH..... | Left Hand | RT | Right |
| LT | Left | SAE | Society of Automotive Engineers |
| m..... | Meter | UNC | Unified Coarse |
| mm..... | Millimeter | UNF..... | Unified Fine |
| M..... | Male | UNS..... | Unified Special |

INDEX

ASSEMBLY

- Dealer Set-Up Instructions 22
- Optional Equipment
 - Chain Shielding Installation 24
 - Front Roller Installation 24
 - Quick Hitch Kit Installation 24
 - Skid Shoe Kit 36

DEALER CHECK LIST

- Delivery (Dealer's Responsibility) 25
- Pre-Delivery (Dealer's Responsibility) 25

DEALER SERVICE

- Blade Spindle
 - Assembly 16
 - Disassembly 16
 - Installation 17
 - Removal 1
 - Service 23
- Gearbox
 - Drive Sheave Installation 20
 - Horizontal Shaft Seal Replacement 19
 - Installation 20
 - Reassembly 19
 - Repair 17
 - Seal Installation 18
 - Seal Replacement 18
 - Vertical Shaft Seal Replacement 19
- Universal Joint
 - Assembly 21
 - Disassembly 20
 - Repair 20

GENERAL

- Abbreviations 35
- Bolt Size Chart 35
- Bolt Torque Chart 34
- General Information 3
- Introduction 2
- Obtaining Replacement Manuals 2
- Specifications 3
- Table of Contents 3
- Warranty
 - Product 38
 - Replacement Parts 39

OPERATION

- Adjustment
 - Cutting Height Chart 9
 - Tractor Top Link 9

- Attaching Mower to Tractor 8
- Cutting Height Adjustment 9
- Front Caster Arm Configuration 10
- Front Caster Wheel Interference Check 10
- Front Roller (Optional) 11
- Mower Removal & Storage 11
- Operating
 - On Uneven Terrain 11
 - Technique 11
 - Tips 11
- Pre-Operation Check List (Owners Responsibility) 11
- Storage Position 11
- Tractor Stability 8

OWNER SERVICE

- Belt
 - Installation 13
 - Replacement 13
 - Routing Diagram 13
 - Service 13
- Blade
 - Installation 14
 - Service 13
 - Sharpening 14
- Blocking Method 12
- Chain Shielding 24
- Cleaning 14
- Lubrication
 - Driveshaft 17
 - Information 12
 - Lubrication Points & Chart 13

PARTS

- Index to Parts Lists 26

SAFETY

- Blocking Method 12
- Check List
 - Delivery (Dealer's Responsibility) 25
 - Pre-Delivery (Dealer's Responsibility) 25
 - Pre-Operation (Owner's Responsibility) 11
- Declaration of Conformity 7
- Safety & Instructional Decals 5, 6
- Safety Rules 4
- Safety Symbol Explanation 2

TROUBLE SHOOTING

- Belt Conditions 15
- Mowing Conditions 15

WARRANTY

All Models Except Mow'n Machine™ Zero-Turn Mowers

Please Enter Information Below and Save for Future Reference.

Date Purchased: _____ From (Dealer): _____

Model Number: _____ Serial Number: _____

Woods Equipment Company ("WOODS") warrants this product to be free from defect in material and workmanship. Except as otherwise set forth below, the duration of this Warranty shall be for TWELVE (12) MONTHS COMMENCING ON THE DATE OF DELIVERY OF THE PRODUCT TO THE ORIGINAL PURCHASER.

All current model backhoes, loaders and mounts (except 3-pt. SAF-T-LOK® mounts) are warranted for two (2) years from the date of delivery to the original purchaser. The limited warranty covers any defects in the material and/or workmanship. Following the proper, recommended installation by an authorized Woods Dealer and normal use of a Woods mounting and backhoe or loader, if a tractor incurs damage resulting from the attachment, Woods will cover the existing tractor warranty in the event the manufacturer voids its tractor warranty because of the attachment. Warranty does not cover any misuse or abusive conditions that could cause premature wear or damage to attachment or tractor.

The warranty periods for specific parts or conditions are listed below:

| Part or Condition Warranted | Model Number | Duration (from date of delivery to the original purchaser) |
|--|--|---|
| All units invoiced after 4/30/2012 | | |
| Gearbox components | BB48X, BB60X, BB72X, BB84X, BB600X, BB720X, BB840X, BB6000X, BB7200X, BB8400X, DS12.50, TS14.60, DS1440, TS1680, DS8.30, DS10.40, DS8.50, DSO8.50, DS10.50, DSO10.50, DBH5.30, DBH6.30 | 6 years |
| | BW12, BW15, BW126X, BW180X, BW126XHD, BW180XHD, BW1260X, BW1800X, BW10.50, BW10.50Q, BW15.50, BW15.50Q, BW15.60, BW15.60Q, BW10.60, BW10.60Q | |
| | BW240X, BW240XHD, BW1620X, BW2400X | |
| | RD990X, PRD6000, PRD7200, PRD8400, S15CD, S20CD, S22CD, S25CD, S27CD, S30CD, TC/R74, TC/R68, TC/R60, TBW144, TBW180, TBW204, TSG50, S12ED, S15ED, S18ED, S20ED, TPD25, TPD35, TPD65, TPD95 | 3 years (1 year if used in rental or commercial applications) |
| RDC54, RD60, RD72, TBW150C, TS/R60, TS/R52, TS/R44, RC3.5, RC4, RC5, RC6 | | |
| Blade spindles | RD990X, PRD6000, PRD7200, PRD8400, TBW144, TBW180, TBW204 | 3 years |

Under no circumstances will this Warranty apply in the event that the product, in the good faith opinion of WOODS, has been subjected to improper operation, improper maintenance, misuse, or an accident. This Warranty does not apply in the event that the product has been materially modified or repaired by someone other than WOODS, a WOODS authorized dealer or distributor, and/or a WOODS authorized service center. This Warranty does not cover normal wear or tear, or normal maintenance items. This Warranty also does not cover repairs made with parts other than those obtainable through WOODS.

This Warranty is extended solely to the original purchaser of the product. Should the original purchaser sell or otherwise transfer this product to a third party, this Warranty does not transfer to the third party purchaser in any way. There are no third party beneficiaries of this Warranty.

WOODS makes no warranty, express or implied, with respect to engines, batteries, tires or other parts or accessories not manufactured by WOODS. Warranties for these items, if any, are provided separately by their respective manufacturers.

WOODS' obligation under this Warranty is limited to, at WOODS' option, the repair or replacement, free of charge, of the product if WOODS, in its sole discretion, deems it to be defective or in noncompliance with this Warranty. **The product must be returned to WOODS with proof of purchase within thirty (30) days after such defect or noncompliance is discovered or should have been discovered, routed through the dealer and distributor from whom the purchase was made, transportation charges prepaid.** WOODS shall complete such repair or replacement within a reasonable time after WOODS receives the product. THERE ARE NO OTHER REMEDIES UNDER THIS WARRANTY. THE REMEDY OF REPAIR OR REPLACEMENT IS THE SOLE AND EXCLUSIVE REMEDY UNDER THIS WARRANTY.

THERE ARE NO WARRANTIES WHICH EXTEND BEYOND THE DESCRIPTION ON THE FACE OF THIS WARRANTY. WOODS MAKES NO OTHER WARRANTY, EXPRESS OR IMPLIED, AND WOODS SPECIFICALLY DISCLAIMS ANY IMPLIED WARRANTY OF MERCHANTABILITY AND/OR ANY IMPLIED WARRANTY OF FITNESS FOR A PARTICULAR PURPOSE.

WOODS shall not be liable for any incidental or consequential losses, damages or expenses, arising directly or indirectly from the product, whether such claim is based upon breach of contract, breach of warranty, negligence, strict liability in tort or any other legal theory. Without limiting the generality of the foregoing, Woods specifically disclaims any damages relating to (i) lost profits, business, revenues or goodwill; (ii) loss of crops; (iii) loss because of delay in harvesting; (iv) any expense or loss incurred for labor, supplies, substitute machinery or rental; or (v) any other type of damage to property or economic loss.

This Warranty is subject to any existing conditions of supply which may directly affect WOODS' ability to obtain materials or manufacture replacement parts.

No agent, representative, dealer, distributor, serviceperson, salesperson, or employee of any company, including without limitation, WOODS, its authorized dealers, distributors, and service centers, is authorized to alter, modify, or enlarge this Warranty. Answers to any questions regarding warranty service and locations may be obtained by

WOODS® | A Blount International Brand

2606 South Illinois Route 2
Post Office Box 1000
Oregon, Illinois 61061 USA

800-319-6637 tel
800-399-6637 fax
woodsequipment.com

BLOUNT EUROPE SA

Rue Emile Francqui 5
1435 MONT-SANT-GUIBERT
Belgium

+32 10 301111 tel
woodsequipment.eu

ALITEC™
CENTRAL FABRICATORS®
GANNON®
WAIN-ROY®
WOODS®

WARRANTY

(Replacement Parts For All Models Except Mow'n Machine™
Zero-Turn Mowers and Woods Boundary™ Utility Vehicles)

Woods Equipment Company ("WOODS") warrants this product to be free from defect in material and workmanship for a period of ninety (90) days from the date of delivery of the product to the original purchaser with the exception of V-belts, which will be free of defect in material and workmanship for a period of 12 months.

Under no circumstances will this Warranty apply in the event that the product, in the good faith opinion of WOODS, has been subjected to improper operation, improper maintenance, misuse, or an accident. This Warranty does not cover normal wear or tear, or normal maintenance items.

This Warranty is extended solely to the original purchaser of the product. Should the original purchaser sell or otherwise transfer this product to a third party, this Warranty does not transfer to the third party purchaser in any way. There are no third party beneficiaries of this Warranty.

WOODS' obligation under this Warranty is limited to, at WOODS' option, the repair or replacement, free of charge, of the product if WOODS, in its sole discretion, deems it to be defective or in noncompliance with this Warranty. **The product must be returned to WOODS with proof of purchase within thirty (30) days after such defect or noncompliance is discovered or should have been discovered, routed through the dealer and distributor from whom the purchase was made, transportation charges prepaid.** WOODS shall complete such repair or replacement within a reasonable time after WOODS receives the product. THERE ARE NO OTHER REMEDIES UNDER THIS WARRANTY. THE REMEDY OF REPAIR OR REPLACEMENT IS THE SOLE AND EXCLUSIVE REMEDY UNDER THIS WARRANTY.

THERE ARE NO WARRANTIES WHICH EXTEND BEYOND THE DESCRIPTION ON THE FACE OF THIS WARRANTY. WOODS MAKES NO OTHER WARRANTY, EXPRESS OR IMPLIED, AND WOODS SPECIFICALLY DISCLAIMS ANY IMPLIED WARRANTY OF MERCHANTABILITY AND/OR ANY IMPLIED WARRANTY OF FITNESS FOR A PARTICULAR PURPOSE.

WOODS shall not be liable for any incidental or consequential losses, damages or expenses, arising directly or indirectly from the product, whether such claim is based upon breach of contract, breach of warranty, negligence, strict liability in tort or any other legal theory. Without limiting the generality of the foregoing, Woods specifically disclaims any damages relating to (i) lost profits, business, revenues or goodwill; (ii) loss of crops; (iii) loss because of delay in harvesting; (iv) any expense or loss incurred for labor, supplies, substitute machinery or rental; or (v) any other type of damage to property or economic loss.

This Warranty is subject to any existing conditions of supply which may directly affect WOODS' ability to obtain materials or manufacture replacement parts.

No agent, representative, dealer, distributor, service person, salesperson, or employee of any company, including without limitation, WOODS, its authorized dealers, distributors, and service centers, is authorized to alter, modify, or enlarge this Warranty.

Answers to any questions regarding warranty service and locations may be obtained by contacting:

ALITEC™
CENTRAL FABRICATORS®
GANNON®
WAIN-ROY®
WOODS®

BLOUNT EUROPE SA
Rue Emile Francqui 5
1435 MONT-SANT-GUIBERT
Belgium
+32 10 301111 tel
woodsequipment.eu

WOODS® | A Blount International Brand
2606 South Illinois Route 2
Post Office Box 1000
Oregon, Illinois 61061 USA
800-319-6637 tel
800-399-6637 fax
woodsequipment.com