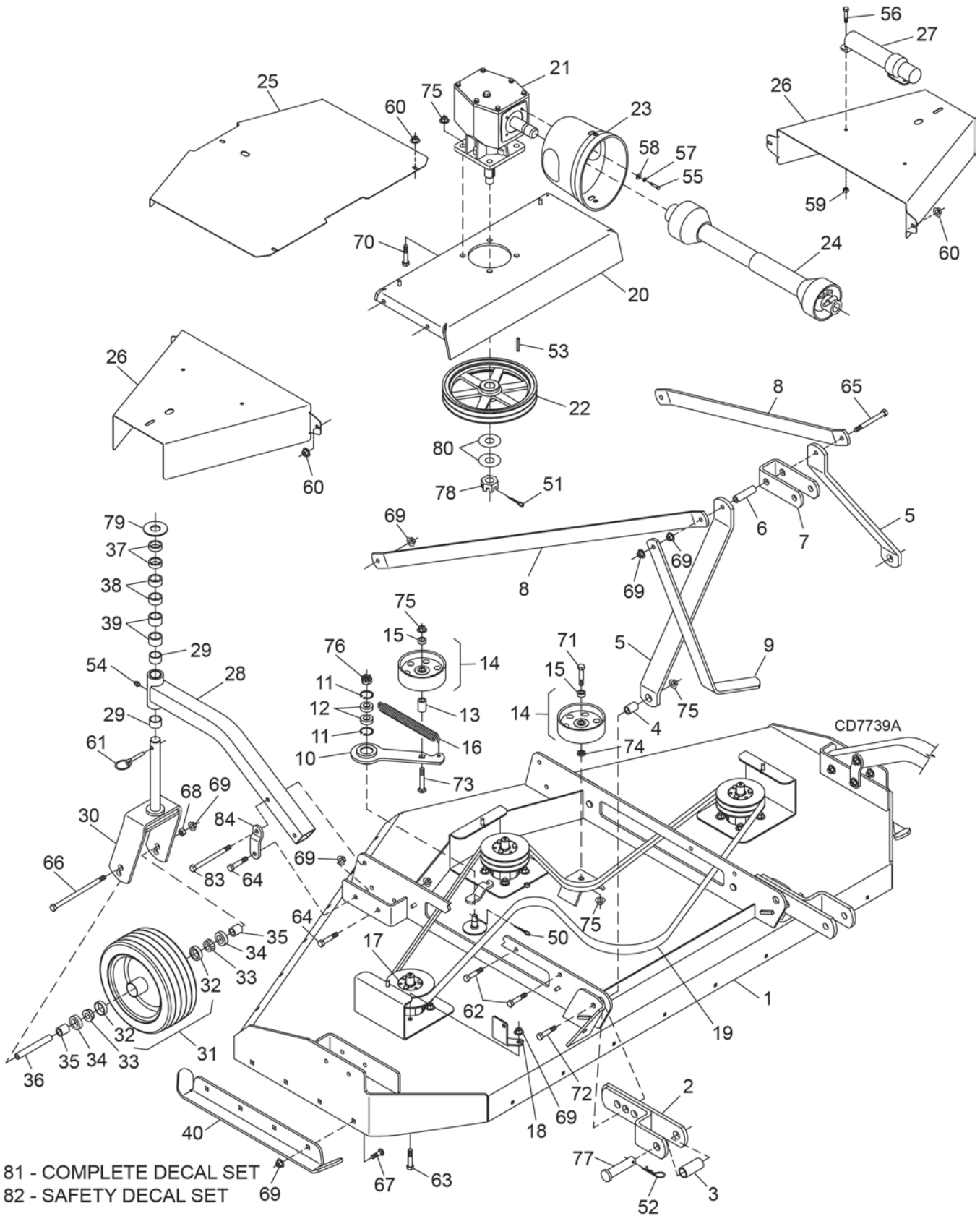


Rearmount Mower: RD990XE

MAIN FRAME ASSEMBLY	26 - 27
GEARBOX ASSEMBLY	28
BLADE & SPINDLE ASSEMBLY	29
CHAIN SHIELDING ASSEMBLY	30
FRONT ROLLER ASSEMBLY (OPTIONAL)	31
QUICK HITCH KIT (OPTIONAL)	31

RD990XE MAIN FRAME ASSEMBLY



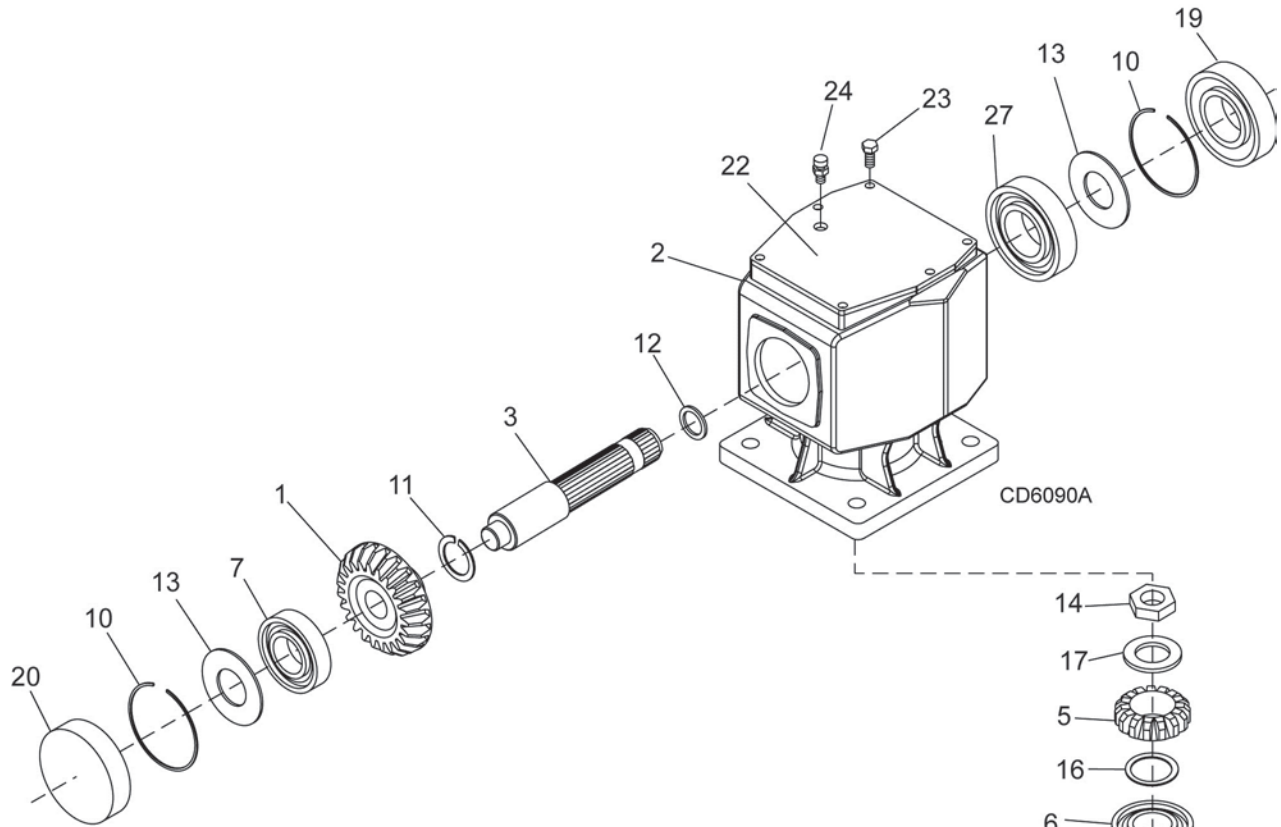
26 Parts

MAN1261 (4/11/2018)

RD990XE MAIN FRAME ASSEMBLY

REF	PART	QTY	DESCRIPTION	REF	PART	QTY	DESCRIPTION
1	----	1	Deck (not sold separately)	50	1266RP	*	3/16 x 1-1/2 Cotter Pin
2	1032786RP	2	Lower Hitch Arm	51	64803RP	*	3/16 x 2 Cotter Pin
3	56598	2	Sleeve .885 x 1.125 x 2.62	51	18270	*	3/16 Safety Pin
4	19524	2	Sleeve .64 x 1.00 x 2.09 HT	53	29792	*	1/4 x 1/4 x 1-1/4 Key
5	1032795RP	2	A-Frame Arm	54	12296	*	1/4-28 Grease Fitting
6	1032798	1	Sleeve .62 x .94 x 3.13	55	39254		M8 x 1.25P x 16mm HHCS
7	1032797RP	1	U-Link	56	14562RP	*	5/16 NC x 1 HHCS GR5
8	1032796RP	2	Rear Offset Link	58	4378RP	*	5/16 SAE Flat Washer
9	1032811RP	1	PTO Hanger	59	14139RP	*	5/16 NC Flange Lock Nut
10	1032789RP	1	Idler Arm	60	14350RP	*	3/8 NC Flange Lock Nut
11	35141RP	2	Retaining Ring	61	27542RP		7/16 Klik Pin
12	35193RP	2	Bearing	62	3379RP	*	1/2 NC x 1-1/2 HHCS GR5
13	27211	1	Sleeve .63 x .88 x 1.18	63	3699	*	1/2 NC x 2 HHCS GR5
14	19570RP	2	Flat Pulley (includes item 15)	64	10380	*	1/2 NC x 4 HHCS GR5
15	6095	2	.626 x 1.85 Ball Bearing	65	22205	*	1/2 NC x 6-1/2 HHCS GR5
16	28928RP	1	Ext. Spring .187 x 1.3 x 8.17	66	29604		1/2 NC x 8 HHCS GR5
17	----	3	Spindle Assembly (see page 29)	67	29893RP	*	1/2 NC x 1-1/2 Carriage Bolt
18	1032808RP	1	Belt Guide	68	1093		1/2 NC Hex Nut
19	1032799	1	2V Powerband Belt 2W174.5	69	11900RP	*	1/2 NC Flange Lock Nut
20	1032779RP	1	Gearbox Stand	70	19024		5/8 NC x 1-3/4 Flange HHCS GR5
21	1002499	1	Gearbox 1:1.92 (see page 28)	71	902RP	*	5/8 NC x 2 HHCS GR5
22	1032751	1	Sheave, 11.50 PD, 2B	72	23141		5/8 NC x 3-1/2 HHCS GR5
23	1002048RP	1	Clutch Shield	73	20419		5/8 NC x 3 Carriage Bolt GR5
24	----	1	Driveline	74	1517		.625 x 1.38 x 7GA Flat Washer
25	1032809RP	1	Belt Shield, Inner	75	19025RP	*	5/8 NC Flange Lock Nut
26	1032810RP	2	Belt Shield, Outer	76	302178RP		5/8 NF Castle Nut
27	1026530RP	1	Manual Tube	77	1032818		7/8 x 3.9 Clevis Pin
28	1037965RP	4	Caster Arm (includes item 29)	78	51946		M24 x 2 Castle Nut
29	31780	8	Bronze Bushing 1-1/4 x 1-1/2 x 1/2	79	7163RP	*	1-1/4 Stand Flat Washer
30	1032782RP	4	Caster Yoke	80	20893		25 x 44 x 4 mm Flat Washer
31	WP20718G	4	13 x 5 x 10 Solid Tire, gray (includes item 32) -or-	81	1032108	1	Safety Decal Set French
31	WP19744G	4	13 x 5 x 6 Pneumatic Tire, gray (includes item 32)	82	53591	1	Safety Decal Set English
32	2306	8	Bearing Cup	83	3508	*	1/2 NC x 4-1/2 HHCS GR5
33	2304	8	Bearing Cone	84	1037959RP	6	Lug
34	5624	8	Seal 1.13 x 1.78 x .47		HHCS		Hex Head Cap Screw
35	52744	8	Bushing .752 x 1.125 x .625 HT		*		Standard Hardware, Obtain Locally
36	20714	4	Sleeve .525 x .75 x 5.80 HT				
37	52853	8	Sleeve 1.25 x 1.90 x .50				
38	52854	8	Sleeve 1.25 x 1.90 x .75				
39	52855	8	Sleeve 1.25 x 1.90 x 1.00				
40	1032812RP	2	Skid Shoe				

RD990XE GEARBOX ASSEMBLY



REF	PART	QTY	DESCRIPTION
A	1002499	1	Gearbox Assembly, Complete
1	57458	1	Gear, Crown 25T M5.3
2	NSS	1	Gearbox Housing
3	1005320	1	Shaft, Input 1-3/8 -6
4	1005321	1	Shaft, Output 1-1/4
5	57491	1	Pinion Gear 13T M5.3
6	57476	1	Bearing Cup & Cone
7	57462	1	Bearing Cup & Cone
8	20888	1	Washer, 1.58 x 3.13 x .04 Protective Flat
9	*	1	Pin, Cotter B4 x 50
10	57466	2	Snap Ring
11	20895	1	Snap Ring, 45 mm
12	57373	1	Spacer, 35.3 x 48 x 2.5
13	57328	2	Kit, Shim 60.3 x 71.6
14	57468	1	Nut, Castle
15	51946	1	Nut, Castle M24 x 2
16	57328	1	Kit, Shim 30.3 x 44
17	57473	1	Washer, 21 x 37 x 3 mm Flat
18	20900	1	Seal, Oil 40 x 80 x 12 mm
19	57463	1	Seal, Oil 35 x 72 x 10 mm
20	57374	1	Oil Cap

REF	PART	QTY	DESCRIPTION
21	20897	1	Snap Ring SB 81 Int
22	57375	1	Cover, Top
23	*	6	Bolt, 8 mm x 14 mm
24	57076	1	Plug, 1/2 Breather Level
25	*	1	Pin, Cotter 5 x 50
26	57478	1	Bearing Cup & Cone
27	20890	1	Ball Bearing

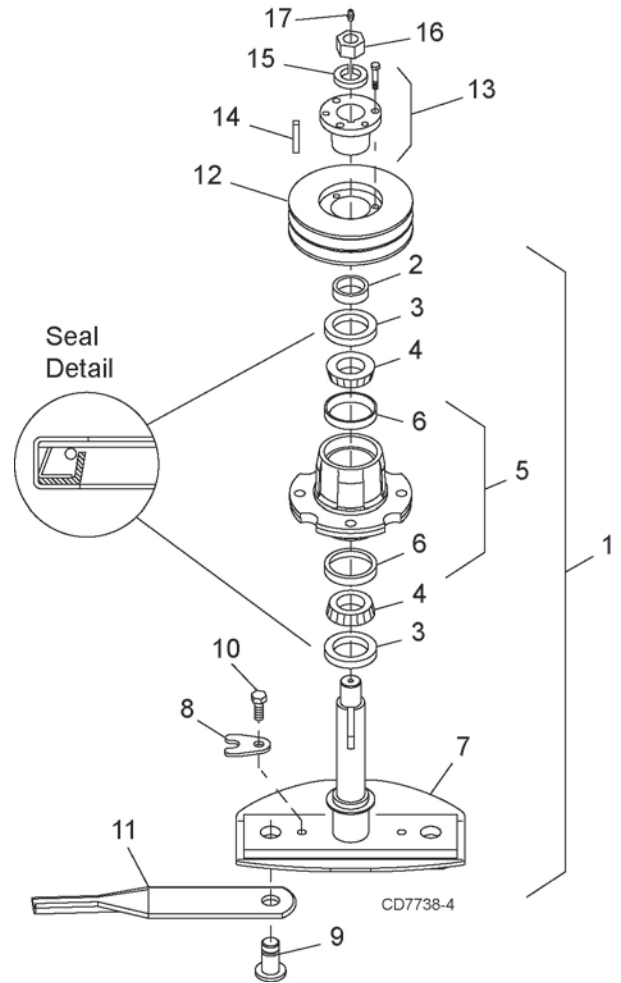
* Standard Hardware, Obtain Locally

28 Parts

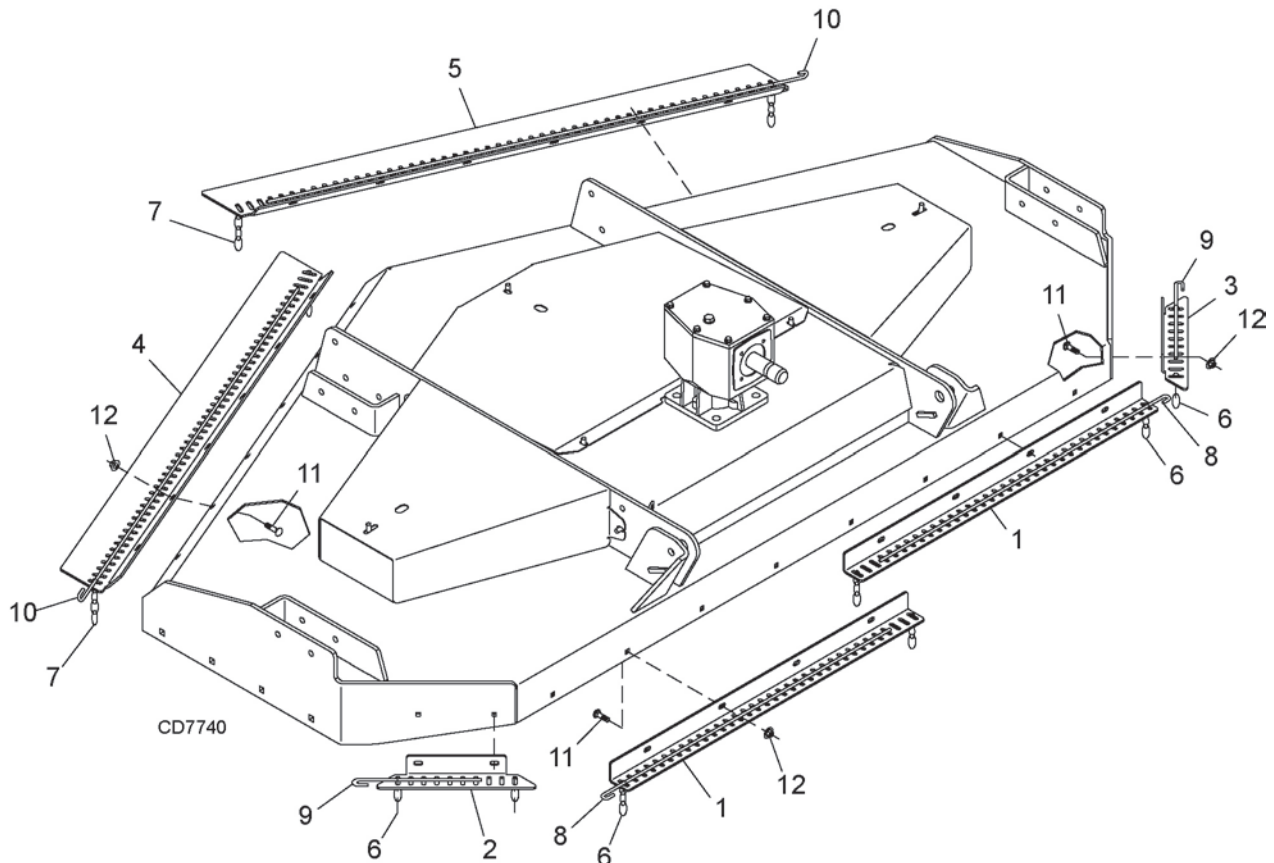
MAN1261 (4/11/2018)

RD900XE BLADE & SPINDLE ASSEMBLY

REF	PART	QTY	DESCRIPTION
1	1032800RP	1	Blade Spindle, Complete
2	18359	1	Sleeve 1-3/8 x 1-3/4 x 5/8
3	2715	2	Seal 1.75 x 2.56 x .5
4	2717RP	2	Bearing Cone
5	1032806	1	Spindle Housing w/ Cups
6	2716	2	Bearing Cup
7	1032801RP	1	Spindle Shaft & Crossbar
8	1032815RP	2	Blade Lock
9	1032814	2	Blade Pin
10	13288	2	1/2 NC x 3/4 Nylock HHCS
11	29186	2	CW Standard Blade, 13"
12	1032794	1	Sheave, 5.75 PD, 2B
13	13557	1	Bushing, P1 1-3/8 Straight Bore
14	24549	1	5/16 x 5/16 x 1-3/4 Key
15	3689RP *	-	1 Standard Lock Washer
16	1386RP	-	1 NC Jam Nut
17	1972RP *	-	1/4-28 Tapered Grease Fitting
	HHCS		Hex Head Cap Screw
	*		Standard Hardware, Obtain Locally



RD990XE CHAIN SHIELDING ASSEMBLY (STANDARD)



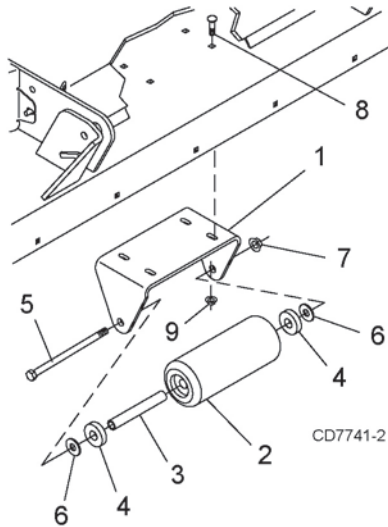
REF	PART	QTY	DESCRIPTION
1	1032821RP	2	Front Chain Shield Plate
2	1032832RP	1	Right Corner Chain Shield Plate
3	1032833RP	1	Left Corner Chain Shield Plate
4	1032822RP	1	Right Rear Chain Shield Plate
5	1032823RP	1	Left Rear Chain Shield Plate
6	4763	90	1/4 Chain - 3 Link
7	4765	100	1/4 Chain - 4 Link
8	1003646	2	Pin, 28 to 30 Chains
9	1007852	2	Pin, 7 to 9 Chains
10	1007854	2	Pin, 40 to 42 Chains
11	6697RP *	-	3/8 NC x 1 Carriage Bolt, GR5
12	14350RP *	-	3/8 NC Flange Lock Nut

* Standard Hardware, Obtain Locally

30 Parts

MAN1261 (4/11/2018)

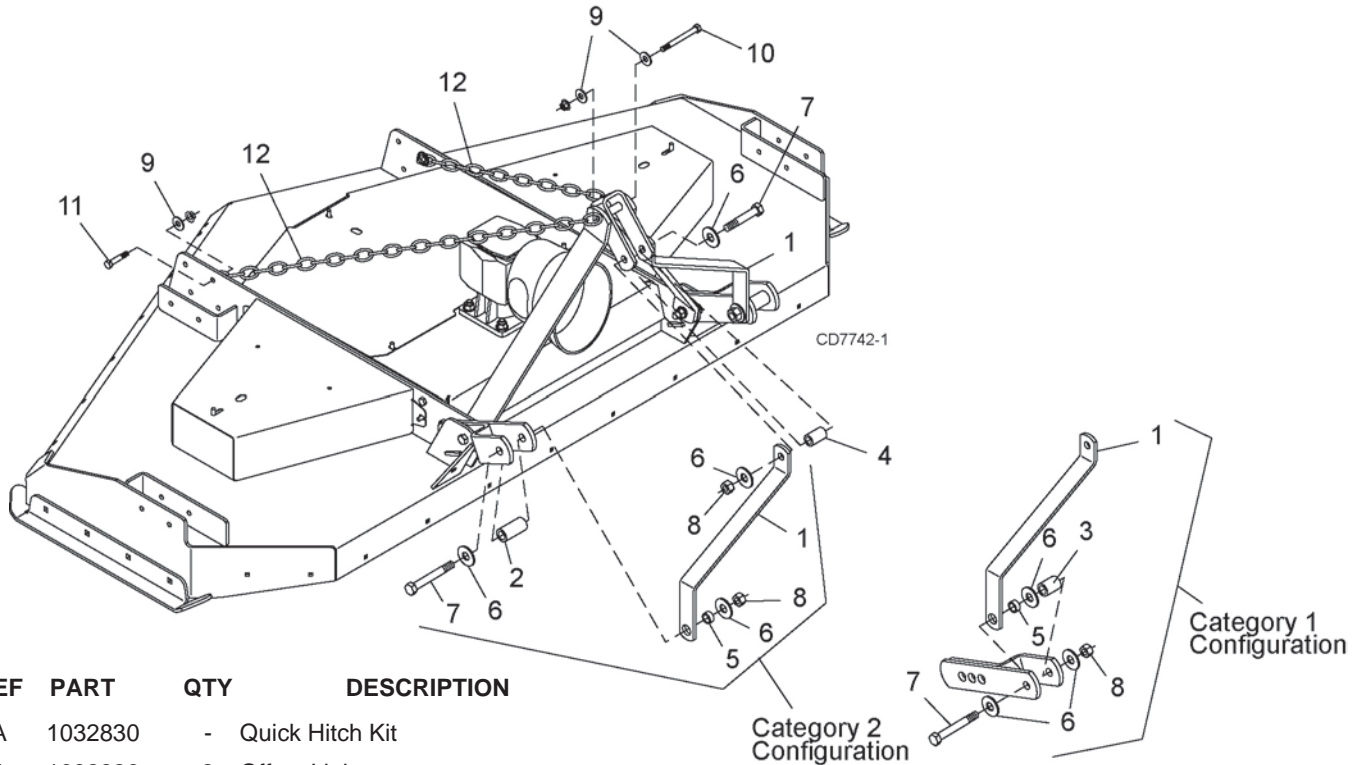
RD990XE FRONT ROLLER ASSEMBLY (OPTIONAL)



REF	PART	QTY	DESCRIPTION
A	1032828	1	Front Roller Kit - Complete
1	1032829RP	1	Roller Bracket
2	1006418	1	Roller, 4 x 7.38
3	1006420	1	Spacer, .75 x 7.27
4	35193RP	2	Bearing
5	38107	-	1/2 NC x 9 HHCS, GR5
6	3598	*	1/2 SAE Flat Washer
7	11900RP	*	1/2 NC Flange Lock Nut
8	20973RP	*	3/8 NC x 1-1/4 Carriage Bolt, GR5
9	14350RP	*	3/8 NC Flange Lock Nut

* Standard Hardware, Obtain Locally

QUICK HITCH KIT (OPTIONAL)



REF	PART	QTY	DESCRIPTION
A	1032830	-	Quick Hitch Kit
1	1032826	2	Offset Link
2	1002012	2	Sleeve, .94 x 1.44 x 2.75 (Cat 2 only)
3	1016517	2	Sleeve, .94 x 1.44 x 1.94 (Cat 1 only)
4	1002018	1	Sleeve, .81 x 1.25 x 2.12
5	29281	2	Sleeve, 7/8 x 1-1/8 x 19/32 HT
6	1257	*	3/4 Flat Washer
7	29315	-	3/4 NC x 5-1/2 HHCS, GR5
8	1450	*	3/4 NC Plated Hex Nut
9	854RP	*	1/2 Flat Washer

REF	PART	QTY	DESCRIPTION
10	13563	*	1/2 NC x 6 HHCS GR5
11	3699	*	1/2 NC x 2 HHCS GR5
12	1005401	2	Chain, 3/8 proof coil 38-link
	HHCS		Hex Head Cap Screw
	*		Standard Hardware, Obtain Locally

BOLT TORQUE CHART

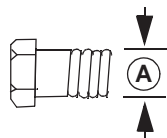
Always tighten hardware to these values unless a different torque value or tightening procedure is listed for a specific application.

Fasteners must always be replaced with the same grade as specified in the manual parts list.

Always use the proper tool for tightening hardware: SAE for SAE hardware and Metric for metric hardware.

Make sure fastener threads are clean and you start thread engagement properly.

All torque values are given to specifications used on hardware defined by SAE J1701 MAR 99 & J1701M JUL 96.



SAE SERIES TORQUE CHART



SAE Grade 2
(No Dashes)

SAE Bolt Head Identification

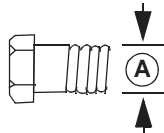


SAE Grade 5
(3 Radial Dashes)



SAE Grade 8
(6 Radial Dashes)

Ⓐ Diameter (Inches)	Wrench Size	MARKING ON HEAD					
		SAE 2		SAE 5		SAE 8	
		lbs-ft	N-m	lbs-ft	N-m	lbs-ft	N-m
1/4"	7/16"	6	8	10	13	14	18
5/16"	1/2"	12	17	19	26	27	37
3/8"	9/16"	23	31	35	47	49	67
7/16"	5/8"	36	48	55	75	78	106
1/2"	3/4"	55	75	85	115	120	163
9/16"	13/16"	78	106	121	164	171	232
5/8"	15/16"	110	149	170	230	240	325
3/4"	1-1/8"	192	261	297	403	420	569
7/8"	1-5/16"	306	416	474	642	669	907
1"	1-1/2"	467	634	722	979	1020	1383



METRIC SERIES TORQUE CHART



Metric
Grade 8.8

Metric Bolt Head Identification



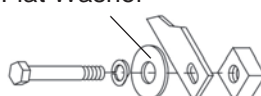
Metric
Grade 10.9

Ⓐ Diameter & Thread Pitch (Millimeters)	Wrench Size	COARSE THREAD				FINE THREAD				Ⓐ Diameter & Thread Pitch (Millimeters)
		MARKING ON HEAD				MARKING ON HEAD				
		Metric 8.8		Metric 10.9		Metric 8.8		Metric 10.9		
		N-m	lbs-ft	N-m	lbs-ft	N-m	lbs-ft	N-m	lbs-ft	
6 x 1.0	10 mm	8	6	11	8	8	6	11	8	6 x 1.0
8 x 1.25	13 mm	20	15	27	20	21	16	29	22	8 x 1.0
10 x 1.5	16 mm	39	29	54	40	41	30	57	42	10 x 1.25
12 x 1.75	18 mm	68	50	94	70	75	55	103	76	12 x 1.25
14 x 2.0	21 mm	109	80	151	111	118	87	163	120	14 x 1.5
16 x 2.0	24 mm	169	125	234	173	181	133	250	184	16 x 1.5
18 x 2.5	27 mm	234	172	323	239	263	194	363	268	18 x 1.5
20 x 2.5	30 mm	330	244	457	337	367	270	507	374	20 x 1.5
22 x 2.5	34 mm	451	332	623	460	495	365	684	505	22 x 1.5
24 x 3.0	36 mm	571	421	790	583	623	459	861	635	24 x 2.0
30 x 3.0	46 mm	1175	867	1626	1199	1258	928	1740	1283	30 x 2.0

Typical Washer Installations



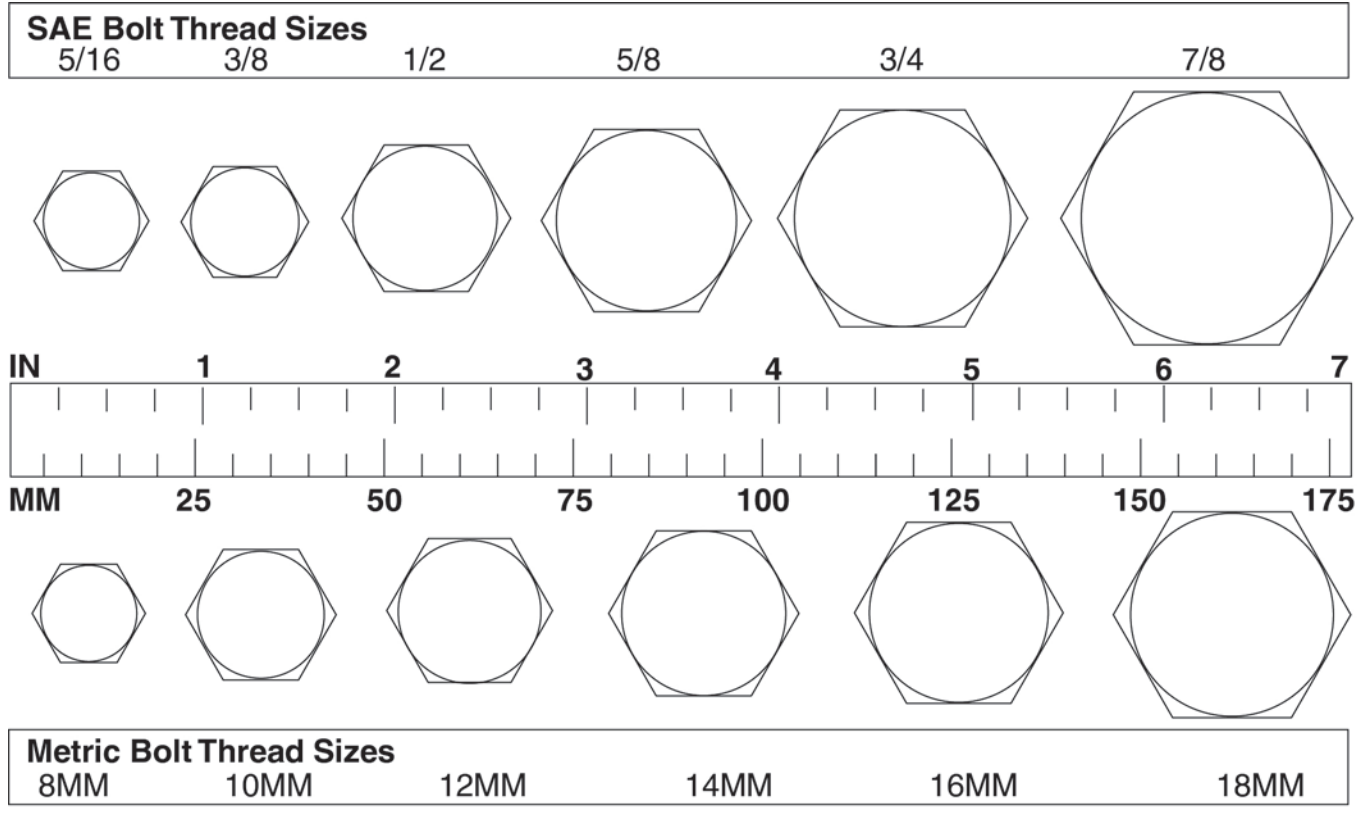
Flat Washer



Hcv Y

BOLT SIZE CHART

NOTE: Chart shows bolt thread sizes and corresponding head (wrench) sizes for standard SAE and metric bolts.



ABBREVIATIONS

AG	Agriculture	MPa.....	Mega Pascal
ASABE.....	American Society of Agricultural & Biological Engineers (formerly ASAE)	N.....	Newton
ASAE	American Society of Agricultural Engineers	NC	National Coarse
ATF	Automatic Transmission Fluid	NF	National Fine
BSPP	British Standard Pipe Parallel	NPSM.....	National Pipe Straight Mechanical
BSPTM	British Standard Pipe Tapered Male	NPT	National Pipe Tapered
CV.....	Constant Velocity	NPT SWF	National Pipe Tapered Swivel Female
CCW	Counter-Clockwise	ORB.....	O-Ring Boss - Male
CW.....	Clockwise	P.....	Pitch
F	Female	PBY	Power-Beyond
FT	Full Thread	psi.....	Pounds per Square Inch
GA	Gauge	PTO.....	Power Take Off
GR (5, etc.)	Grade (5, etc.)	QD.....	Quick Disconnect
HHCS	Hex Head Cap Screw	RH.....	Right Hand
HT	Heat-Treated	ROPS	Roll-Over Protective Structure
JIC	Joint Industry Council 37° Degree Flare	RPM	Revolutions Per Minute
LH.....	Left Hand	RT	Right
LT	Left	SAE	Society of Automotive Engineers
m.....	Meter	UNC	Unified Coarse
mm.....	Millimeter	UNF.....	Unified Fine
M.....	Male	UNS.....	Unified Special

INDEX

Assembly

- Chain Shielding 14
- Dealer Set-Up Instructions 21
- Initial Oil Fill 23
- Optional Equipment
 - Front Roller 11

Dealer Check Lists

- Delivery (Dealer's Responsibility) 25
- Pre-Delivery (Dealer's Responsibility) 25

Dealer Service

- Blade Spindle
 - Assembly 16
 - Disassembly 16
 - Installation 17
 - Removal 16
 - Service 16
- Blocking Method 12
- Gearbox
 - Disassembly 19
 - Drive Sheave Installation 19
 - Horizontal Shaft Seal Replacement 18
 - Installation 19
 - Reassembly 19
 - Removal 18
 - Repair 17, 18
 - Seal Installation 18
 - Seal Replacement 18
 - Vertical Shaft Seal Replacement 18
- Universal Joint
 - Assembly 20
 - Disassembly 19, 20
 - Repair 19

General

- Abbreviations 34
- Bolt Size Chart 34
- Bolt Torque Chart 33
- General Information 3
- Introduction 2
- Obtaining Replacement Manuals 2
- Product Registration 2
- Specifications 3
- Table of Contents 3
- Warranty
 - Product 36
 - Replacement Parts 37

Operation

- Adjustment
 - Cutting Height 9
 - Tractor Top Link 10
- Attaching Mower to Tractor 8
- Front Roller (Optional) 11
- Levelling Mower 9
- Mower Removal & Storage 11
- Mowing Speed Recommended 11
- Operating
 - On Uneven Terrain 11
 - Technique 11
 - Tips 11
- Pre-Operation Check List (Owners Responsibility) 11
- Recommended Uses 11
- Tractor Stability 8

Owner Service

- Belt
 - Installation 13
 - Replacement 13
 - Routing 13
 - Service 13
- Blade
 - Assembly 14
 - Service 13
 - Sharpening 14
- Blocking Method 12
- Chain Shielding 19
- Cleaning 14
- Lubrication
 - Driveshaft 12
 - Information 12
 - Lubrication Points & Chart 13

Parts

- Index to Parts Lists 26

Safety

- Blocking Method 12
- Check Lists
 - Delivery (Dealer's Responsibility) 25
 - Pre-Delivery (Dealer's Responsibility) 25
 - Pre-Operation (Owner's Responsibility) 11
- Safety & Instructional Decals 5, 6
- Safety Rules 4
- Safety Symbols Explained 2

Trouble Shooting

- Belt Conditions 15
- Mowing Conditions 15

WARRANTY

All Models Except Mow'n Machine™ Zero-Turn Mowers

Please Enter Information Below and Save for Future Reference.

Date Purchased: _____ From (Dealer): _____

Model Number: _____ Serial Number: _____

Woods Equipment Company ("WOODS") warrants this product to be free from defect in material and workmanship. Except as otherwise set forth below, the duration of this Warranty shall be for TWELVE (12) MONTHS COMMENCING ON THE DATE OF DELIVERY OF THE PRODUCT TO THE ORIGINAL PURCHASER.

All current model backhoes, loaders and mounts (except 3-pt. SAF-T-LOK® mounts) are warranted for two (2) years from the date of delivery to the original purchaser. The limited warranty covers any defects in the material and/or workmanship. Following the proper, recommended installation by an authorized Woods Dealer and normal use of a Woods mounting and backhoe or loader, if a tractor incurs damage resulting from the attachment, Woods will cover the existing tractor warranty in the event the manufacturer voids its tractor warranty because of the attachment. Warranty does not cover any misuse or abusive conditions that could cause premature wear or damage to attachment or tractor.

The warranty periods for specific parts or conditions are listed below:

Part or Condition Warranted	Model Number	Duration (from date of delivery to the original purchaser)
All units invoiced after 4/30/2012		
Gearbox components	BB48X, BB60X, BB72X, BB84X, BB600X, BB720X, BB840X, BB6000X, BB7200X, BB8400X, DS12.50, TS14.60, DS1440, TS1680, DS8.30, DS10.40, DS8.50, DSO8.50, DS10.50, DSO10.50, DBH5.30, DBH6.30	6 years
	BW12, BW15, BW126X, BW180X, BW126XHD, BW180XHD, BW1260X, BW1800X, BW10.50, BW10.50Q, BW15.50, BW15.50Q, BW15.60, BW15.60Q, BW10.60, BW10.60Q	
	BW240X, BW240XHD, BW1620X, BW2400X	
	RD990X, PRD6000, PRD7200, PRD8400, S15CD, S20CD, S22CD, S25CD, S27CD, S30CD, TC/R74, TC/R68, TC/R60, TBW144, TBW180, TBW204, TSG50, S12ED, S15ED, S18ED, S20ED, TPD25, TPD35, TPD65, TPD95	3 years (1 year if used in rental or commercial applications)
RDC54, RD60, RD72, TBW150C, TS/R60, TS/R52, TS/R44, RC3.5, RC4, RC5, RC6		
Blade spindles	RD990X, PRD6000, PRD7200, PRD8400, TBW144, TBW180, TBW204	3 years

Under no circumstances will this Warranty apply in the event that the product, in the good faith opinion of WOODS, has been subjected to improper operation, improper maintenance, misuse, or an accident. This Warranty does not apply in the event that the product has been materially modified or repaired by someone other than WOODS, a WOODS authorized dealer or distributor, and/or a WOODS authorized service center. This Warranty does not cover normal wear or tear, or normal maintenance items. This Warranty also does not cover repairs made with parts other than those obtainable through WOODS.

This Warranty is extended solely to the original purchaser of the product. Should the original purchaser sell or otherwise transfer this product to a third party, this Warranty does not transfer to the third party purchaser in any way. There are no third party beneficiaries of this Warranty.

WOODS makes no warranty, express or implied, with respect to engines, batteries, tires or other parts or accessories not manufactured by WOODS. Warranties for these items, if any, are provided separately by their respective manufacturers.

WOODS' obligation under this Warranty is limited to, at WOODS' option, the repair or replacement, free of charge, of the product if WOODS, in its sole discretion, deems it to be defective or in noncompliance with this Warranty. **The product must be returned to WOODS with proof of purchase within thirty (30) days after such defect or noncompliance is discovered or should have been discovered, routed through the dealer and distributor from whom the purchase was made, transportation charges prepaid.** WOODS shall complete such repair or replacement within a reasonable time after WOODS receives the product. THERE ARE NO OTHER REMEDIES UNDER THIS WARRANTY. THE REMEDY OF REPAIR OR REPLACEMENT IS THE SOLE AND EXCLUSIVE REMEDY UNDER THIS WARRANTY.

THERE ARE NO WARRANTIES WHICH EXTEND BEYOND THE DESCRIPTION ON THE FACE OF THIS WARRANTY. WOODS MAKES NO OTHER WARRANTY, EXPRESS OR IMPLIED, AND WOODS SPECIFICALLY DISCLAIMS ANY IMPLIED WARRANTY OF MERCHANTABILITY AND/OR ANY IMPLIED WARRANTY OF FITNESS FOR A PARTICULAR PURPOSE.

WOODS shall not be liable for any incidental or consequential losses, damages or expenses, arising directly or indirectly from the product, whether such claim is based upon breach of contract, breach of warranty, negligence, strict liability in tort or any other legal theory. Without limiting the generality of the foregoing, Woods specifically disclaims any damages relating to (i) lost profits, business, revenues or goodwill; (ii) loss of crops; (iii) loss because of delay in harvesting; (iv) any expense or loss incurred for labor, supplies, substitute machinery or rental; or (v) any other type of damage to property or economic loss.

This Warranty is subject to any existing conditions of supply which may directly affect WOODS' ability to obtain materials or manufacture replacement parts.

No agent, representative, dealer, distributor, serviceperson, salesperson, or employee of any company, including without limitation, WOODS, its authorized dealers, distributors, and service centers, is authorized to alter, modify, or enlarge this Warranty. Answers to any questions regarding warranty service and locations may be obtained by

WOODS® | A Blount International Brand

2606 South Illinois Route 2
Post Office Box 1000
Oregon, Illinois 61061 USA

800-319-6637 tel
800-399-6637 fax
woodsequipment.com

BLOUNT EUROPE SA

Rue Emile Francqui 5
1435 MONT-SANT-GUIBERT
Belgium

+32 10 301111 tel
woodsequipment.eu

ALITEC™
CENTRAL FABRICATORS®
GANNON®
WAIN-ROY®
WOODS®



WARRANTY

(Replacement Parts For All Models Except Mow'n Machine™
Zero-Turn Mowers and Woods Boundary™ Utility Vehicles)

Woods Equipment Company ("WOODS") warrants this product to be free from defect in material and workmanship for a period of ninety (90) days from the date of delivery of the product to the original purchaser with the exception of V-belts, which will be free of defect in material and workmanship for a period of 12 months.

Under no circumstances will this Warranty apply in the event that the product, in the good faith opinion of WOODS, has been subjected to improper operation, improper maintenance, misuse, or an accident. This Warranty does not cover normal wear or tear, or normal maintenance items.

This Warranty is extended solely to the original purchaser of the product. Should the original purchaser sell or otherwise transfer this product to a third party, this Warranty does not transfer to the third party purchaser in any way. There are no third party beneficiaries of this Warranty.

WOODS' obligation under this Warranty is limited to, at WOODS' option, the repair or replacement, free of charge, of the product if WOODS, in its sole discretion, deems it to be defective or in noncompliance with this Warranty. **The product must be returned to WOODS with proof of purchase within thirty (30) days after such defect or noncompliance is discovered or should have been discovered, routed through the dealer and distributor from whom the purchase was made, transportation charges prepaid.** WOODS shall complete such repair or replacement within a reasonable time after WOODS receives the product. THERE ARE NO OTHER REMEDIES UNDER THIS WARRANTY. THE REMEDY OF REPAIR OR REPLACEMENT IS THE SOLE AND EXCLUSIVE REMEDY UNDER THIS WARRANTY.

THERE ARE NO WARRANTIES WHICH EXTEND BEYOND THE DESCRIPTION ON THE FACE OF THIS WARRANTY. WOODS MAKES NO OTHER WARRANTY, EXPRESS OR IMPLIED, AND WOODS SPECIFICALLY DISCLAIMS ANY IMPLIED WARRANTY OF MERCHANTABILITY AND/OR ANY IMPLIED WARRANTY OF FITNESS FOR A PARTICULAR PURPOSE.

WOODS shall not be liable for any incidental or consequential losses, damages or expenses, arising directly or indirectly from the product, whether such claim is based upon breach of contract, breach of warranty, negligence, strict liability in tort or any other legal theory. Without limiting the generality of the foregoing, Woods specifically disclaims any damages relating to (i) lost profits, business, revenues or goodwill; (ii) loss of crops; (iii) loss because of delay in harvesting; (iv) any expense or loss incurred for labor, supplies, substitute machinery or rental; or (v) any other type of damage to property or economic loss.

This Warranty is subject to any existing conditions of supply which may directly affect WOODS' ability to obtain materials or manufacture replacement parts.

No agent, representative, dealer, distributor, service person, salesperson, or employee of any company, including without limitation, WOODS, its authorized dealers, distributors, and service centers, is authorized to alter, modify, or enlarge this Warranty.

Answers to any questions regarding warranty service and locations may be obtained by contacting:

ALITEC™
CENTRAL FABRICATORS®
GANNON®
WAIN-ROY®
WOODS®

BLOUNT EUROPE SA
Rue Emile Francqui 5
1435 MONT-SANT-GUIBERT
Belgium
+32 10 301111 tel
woodsequipment.eu

WOODS® | A Blount International Brand
2606 South Illinois Route 2
Post Office Box 1000
Oregon, Illinois 61061 USA
800-319-6637 tel
800-399-6637 fax
woodsequipment.com