

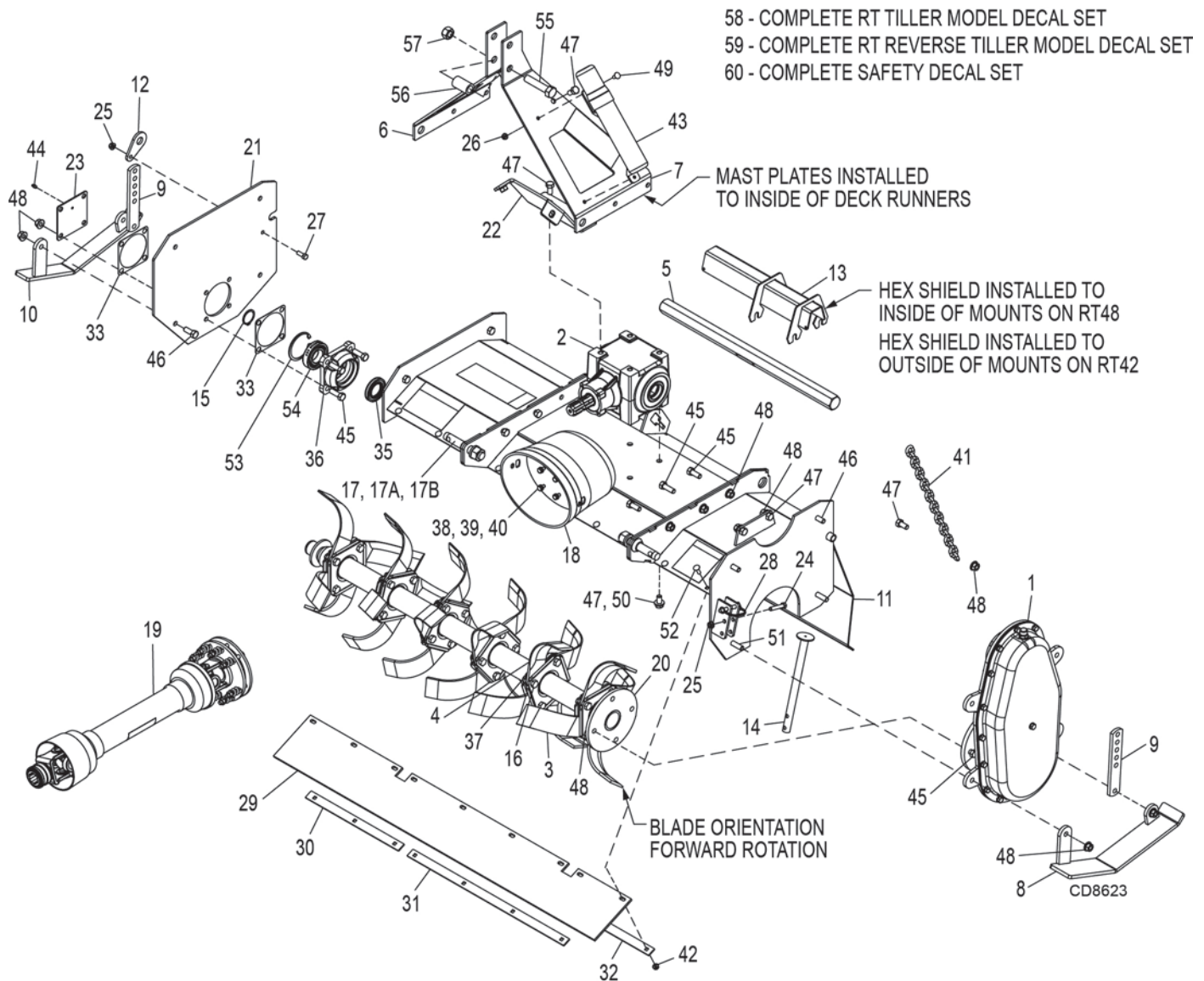


PARTS INDEX

Rotary Tillers

RT / RTR42.30E & RT / RTR48.30E TILLER ASSEMBLY	30-31
RT / RTR60.40E & RT / RTR72.40E TILLER ASSEMBLY	32-33
RT / RTR42.30E & RT / RTR48.30E DRIVELINE ASSEMBLY	34
RT / RTR60.40E & RT / RTR72.40E DRIVELINE ASSEMBLY	35
SIDE DRIVE ASSEMBLY	36
GEARBOX ASSEMBLY	37

RT42.30E / RTR42.30E & RT48.30E / RTR48.30E ROTARY TILLER ASSEMBLY



RT/RTR42.30E RT/RTR48.30E

REF	PART	PART	QTY	DESCRIPTION
1	1042319	1042319	1	Side drive assembly (See page 34)
2	1042304	1042304	1	Gearbox assembly, 1.46:1 1.50 hex (See page 35)
3	1031934 (10)	1031934 (12)		Speed blade, RH
4	1031935 (10)	1031935 (12)		Speed blade, LH
5	104391142	104391148	1	Hex shaft - 1.50
6	1043901	1043901	1	Mast plate, right
7	1043902	1043902	1	Mast plate, left
8	1043903	1043903	1	Skid shoe, left
9	1043904	1043904	2	Link, bolt on
10	1043905	1043905	1	Skid shoe, right
11	104390642	104390648	1	Tailgate
12	1043919	1043919	1	Link, tailgate mount
13	104390842	104390848	1	Shield, hex shaft
14	1043910	1043910	1	Parking stand

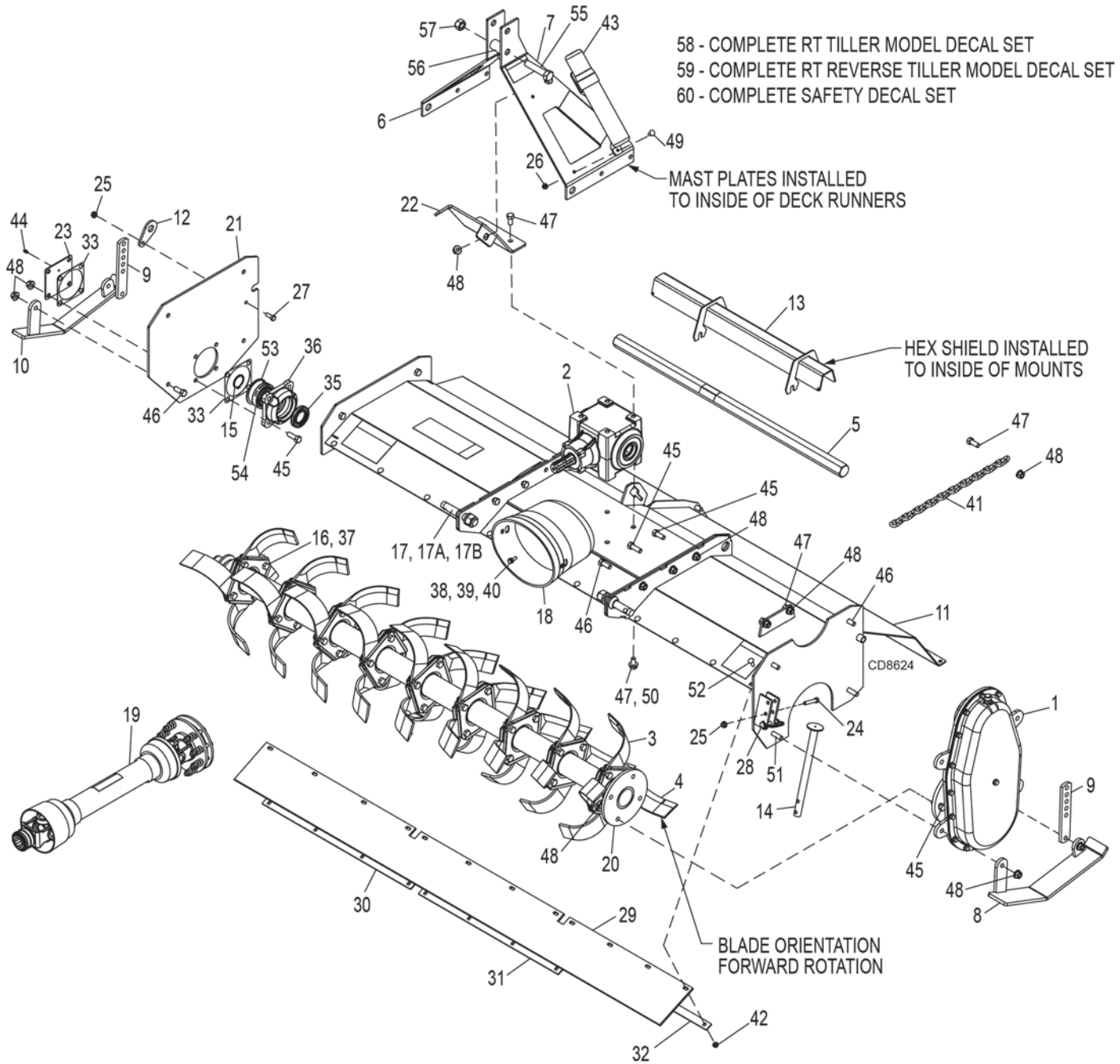
RT42.30E / RTR42.30E & RT48.30E / RTR48.30E ROTARY TILLER ASSEMBLY

	RT/RTR42.30E	RT/RTR48.30E		
REF	PART	PART	QTY	DESCRIPTION
15	1034983	1034983	1	Snap ring, external, 40 mm
16	1031925 (20)	1031925 (24)		1/2 NC x 1-1/4 HHCS, GR8 w/shank
17	33661	33661	2	Category 1 mounting pin, w/nut & lock washer
17A	30007	30007	2	Nut, hex 7/8 NF
17B	30008	30008	2	Washer, lock 7/8
18	1002048	1002048	1	Clutch shield
19	1042364	1042364	1	Drive assembly, complete (See page 32)
20	104391542	104391548	1	Rotor shaft
21	1043917	1043917	1	End plate
22	1043920	1043920	1	Gearbox mount
23	1043918	1043918	1	Bearing cover
24	3231	3231 *	1	3/8 NC x 2 HHCS, GR5
25	14350	14350 *	2	3/8 NC Flange lock nut
26	73163	73163 *	2	5/16 NC Flange whiz nut
27	839	839 *	1	3/8 NC x 1 HHCS, GR5
28	H019	H019	1	Lock pin, 3/8 x 2-1/4
29	104235042	104235048	1	Shield, rubber
30	104391342	104391348	1	Clamp, rubber shield, right
31	1043912	1043912	1	Clamp, rubber shield, center
32	104391442	104391448	1	Clamp, rubber shield, left
33	1043088	1043088	2	Gasket
35	1042303	1042303	1	Seal, 40 x 70 x 10
36	1042352	1042352	1	Bearing asy, 6208 w/seal
37	1031226 (20)	1031226 (24)		1/2 NC flange spirallock
38	39254	39254	4	M8-1.25P x 14 mm HHCS, CL8.8
39	35155	35155 *	4	5/16 SAE Flat washer
40	2472	2472 *	4	5/16 Lock washer
41	44638	44638	1	Chain, 1/4 proof coil, 16 link
42	14139	14139 *	8	5/16 NC Flange lock nut
43	1026530	1026530	1	Manual storage tube
44	1972	1972 *	1	1/4-28 Tapered thread grease fitting
45	3379	3379 *	10	1/2 NC x 1-1/2 HHCS, GR5
46	6100	6100 *	6	1/2 NC x 1-1/4 HHCS, GR5
47	25475	25475 *	10	1/2 NC x 1 HHCS, GR5, Full thread
48	11900	11900 *	22	1/2 NC Flange lock nut
49	16148	16148 *	2	5/16 NC x 3/4 Carriage bolt, GR5
50	57816	57816	4	1/2 SAE Flat washer, hardened
51	24576	24576 *	2	1/2 NC x 1-3/4 HHCS, GR5
52	51243	51243 *	9	5/16 NC x 1 Carriage bolt, GR5
53	1034984	1034984	1	Snap ring, internal, 80 mm
54	20891	20891	1	Ball bearing, 6208
55	15007	15007 *	1	3/4 NC x 3-1/2 HHCS, GR5
56	1002018	1002018	1	Sleeve, .81 x 1.25 x 2.12
57	2371	2371 *	1	3/4 NC Hex lock nut
58	1043922	1043922	1	RT Tiller model decal set (Not Shown)
59	1043923	1043923	1	RT Reverse Tiller model decal set (Not Shown)
60	1031976	1031976	1	RT Tiller safety decal set (Not Shown)

HHCS Hex Head Cap Screw

* Standard Hardware, Obtain Locally

RT/RTR60.40E & RT/RTR72.40E ROTARY TILLER ASSEMBLY



REF	PART	PART	QTY	DESCRIPTION
1	1042319	1042319	1	Side drive assembly (See page 34)
2	1042304	1042304	1	Gearbox assembly, 1.46:1 1.50 hex (See page 35)
3	1031934 (14)	1031934 (18)		Speed blade, RH
4	1031935 (14)	1031935 (18)		Speed blade, LH
5	104391160	104391172	1	Hex shaft - 1.50
6	1043901	1043901	1	Mast plate, right
7	1043902	1043902	1	Mast plate, left
8	1043903	1043903	1	Skid shoe, left
9	1043904	1043904	2	Link, bolt on
10	1043905	1043905	1	Skid shoe, right

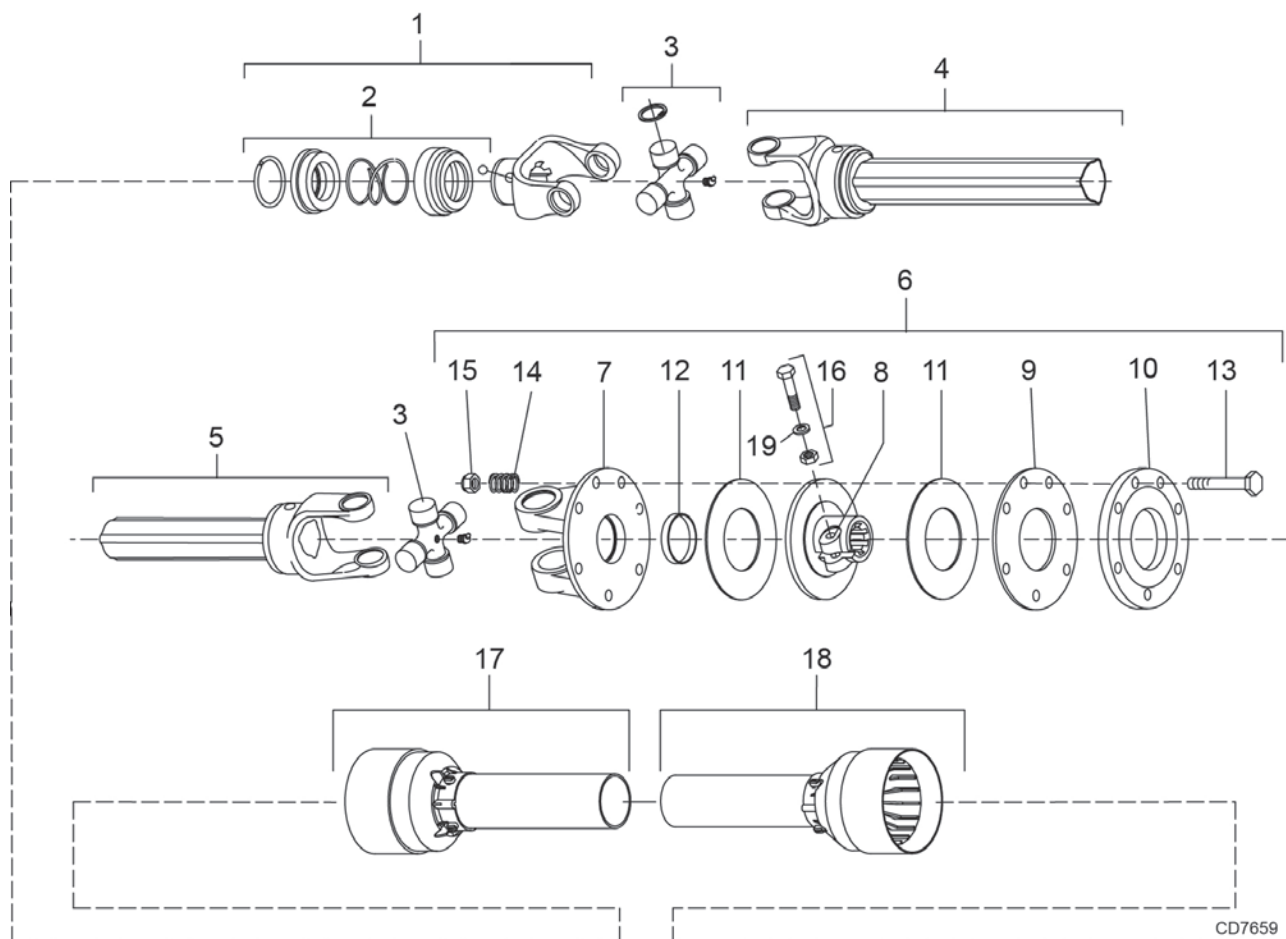
RT/RTR60.40E & RT/RTR72.40E ROTARY TILLER ASSEMBLY

	RT/RTR60.40E	RT/RTR72.40E		
REF	PART	PART	QTY	DESCRIPTION
12	1043919	1043919	1	Link, tailgate mount
13	104390860	104390872	1	Shield, hex shaft
14	1043910	1043910	1	Parking stand
15	1034983	1034983	1	Snap ring, external, 40 mm
16	1031925 (28)	1031925 (36)		1/2 NC x 1-1/4 HHCS, GR8 w/shank
17	33661	33661	2	Category 1 mounting pin, w/nut & lock washer
17A	30007	30007	2	Nut, hex 7/8 NF
17B	30008	30008	2	Washer, lock 7/8
18	1002048	1002048	1	Clutch shield
19	1042365	1042365	1	Drive assembly, complete (See page 33)
20	104391560	104391572	1	Rotor shaft
21	1043917	1043917	1	End plate
22	1043920	1043920	1	Gearbox mount
23	1043918	1043918	1	Bearing cover
24	3231	3231 *	1	3/8 NC x 2 HHCS, GR5
25	14350	14350 *	2	3/8 NC Flange lock nut
26	73163	73163 *	2	5/16 NC Flange whiz nut
27	839	839 *	1	3/8 NC x 1 HHCS, GR5
28	H019	H019	1	Lock pin, 3/8 x 2-1/4
29	104235060	104235072	1	Shield, rubber
30	104391360	104391372	1	Clamp, rubber shield, right
31	1043912	1043912	1	Clamp, rubber shield, center
32	104391460	104391472	1	Clamp, rubber shield, left
33	1043088	1043088	2	Gasket
35	1042303	1042303	1	Seal, 40 x 70 x 10
36	1042352	1042352	1	Bearing asy, 6208 w/seal
37	1031226 (28)	1031226 (36)		1/2 NC flange spirallock
38	39254	39254	4	M8-1.25P x 14 mm HHCS, CL8.8
39	35155	35155 *	4	5/16 SAE Flat washer
40	2472	2472 *	4	5/16 Lock washer
41	44638	44638	1	Chain, 1/4 proof coil, 16 link
42	14139	14139 *	8	5/16 NC Flange lock nut
44	1972	1972 *	1	1/4-28 Tapered thread grease fitting
45	3379	3379 *	10	1/2 NC x 1-1/2 HHCS, GR5
46	6100	6100 *	6	1/2 NC x 1-1/4 HHCS, GR5
47	25475	25475 *	10	1/2 NC x 1 HHCS, GR5, Full thread
48	11900	11900 *	22	1/2 NC Flange lock nut
49	16148	16148 *	2	5/16 NC x 3/4 Carriage bolt, GR5
50	57816	57816	4	1/2 SAE Flat washer, hardened
51	24576	24576 *	2	1/2 NC x 1-3/4 HHCS, GR5
52	51243	51243 *	12	5/16 NC x 1 Carriage bolt, GR5
53	1034984	1034984	1	Snap ring, internal, 80 mm
54	20891	20891	1	Ball bearing, 6208
55	15007	15007 *	1	3/4 NC x 3-1/2 HHCS, GR5
56	1002018	1002018	1	Sleeve, .81 x 1.25 x 2.12
57	2371	2371 *	1	3/4 NC Hex lock nut
58	1043922	1043922	1	RT Tiller model decal set (Not Shown)
59	1043923	1043923	1	RT Reverse Tiller model decal set (Not Shown)
60	1031976	1031976	1	RT Tiller safety decal set (Not Shown)

HHCS Hex Head Cap Screw

* Standard Hardware, Obtain Locally

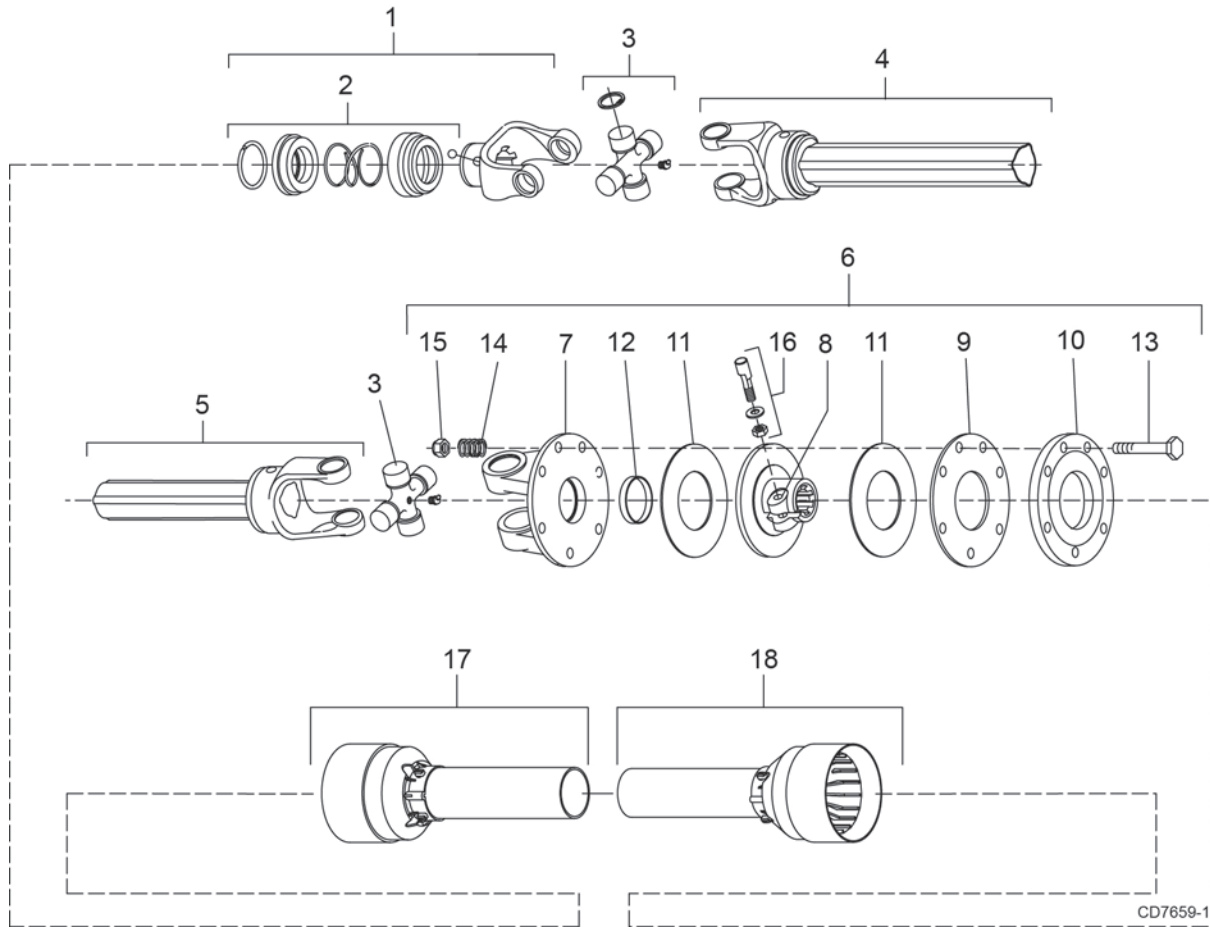
**1042364 SLIP CLUTCH DRIVE ASSEMBLY
RT42.30E / RTR42.30E / RT48.30E / RTR48.30E TILLERS**



REF	PART	QTY	DESCRIPTION
A	1042364	1	Complete 540 driveline and clutch assembly
1	1044064	1	Complete collar yoke 1-3/8-6 spline
2	1044063	1	Lock collar repair kit
3	1044065	2	U-Joint cross & bearing kit
4	1043996	1	Outer profile tube & yoke
5	1043997	1	Inner profile tube & yoke
6	1044057	1	Friction clutch assembly
7	1043995	1	Flange yoke
8	1043993		Clutch hub
9	1044054	1	Internal disc
10	1044053	1	Pressure plate
11	1044055	2	Friction disc
12	1043994	1	Bushing
13	307208	8	M10 x 1.5P x 85, HHCS
14	1044056	8	Clutch spring
15	57260	8	M10 x 1.5P Nylon lock nut
16	1001315	1	Bolt & nut, M12 x 65
17	1043998	1	Outer shield kit, T20
18	1043999	1	Inner shield kit, T20
19	1044074	1	M12 Spring washer

HHCS Hex Head Cap Screw

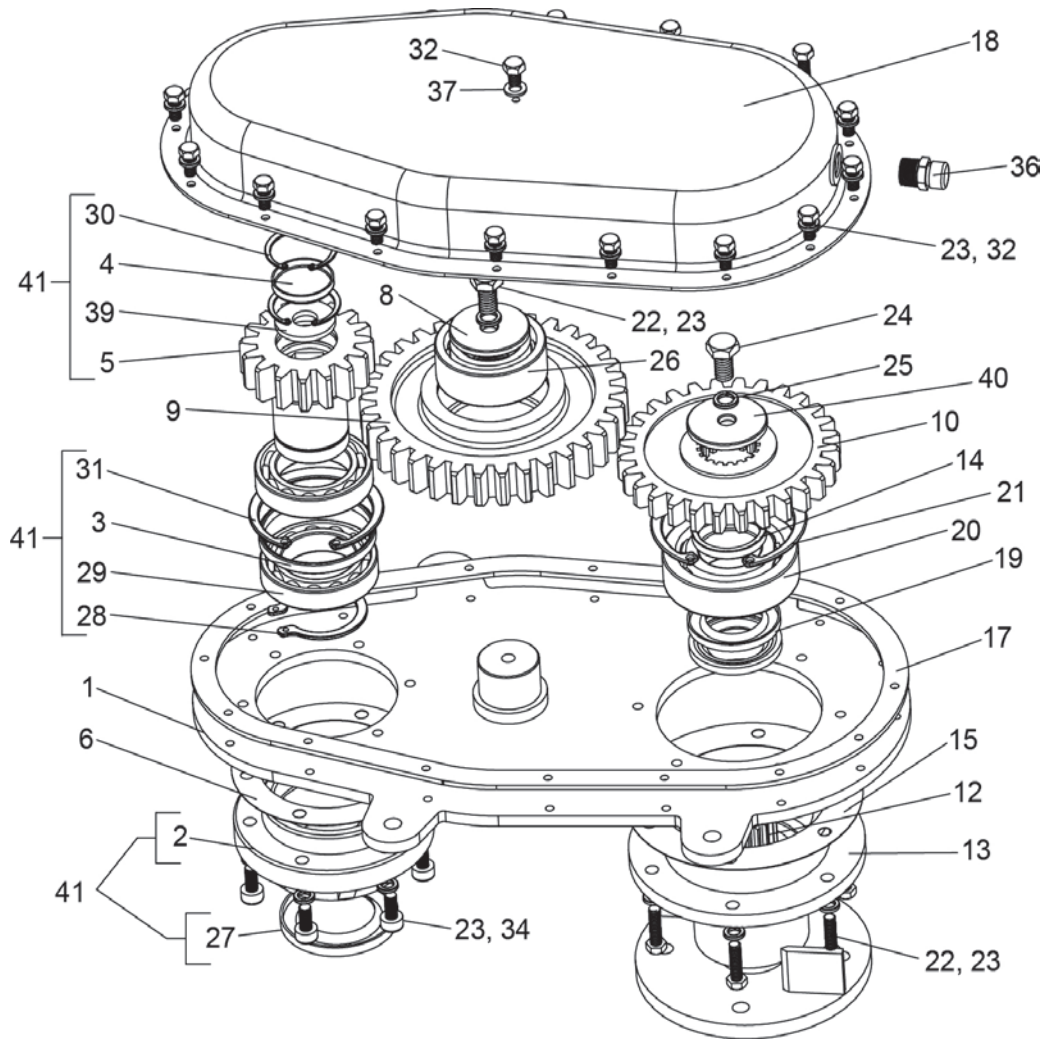
**1042365 SLIP CLUTCH DRIVE ASSEMBLY
RT60.40E / RTR60.40E / RT72.40E / RTR72.40E TILLERS**



REF	PART	QTY	DESCRIPTION
A	1042365	1	Complete 540 driveline and clutch assembly
1	1044051	1	Complete collar yoke 1-3/8-6 spline
2	1044050	1	Lock collar repair kit
3	1044052	2	U-Joint cross & bearing kit
4	1044059	1	Outer profile tube & yoke
5	1044060	1	Inner profile tube & yoke
6	1044058	1	Friction clutch assembly
7	1044077	1	Flanged yoke
8	1044076	1	Clutch hub
9	1044082	1	Internal disc
10	1044081	1	Pressure plate
11	1044083	2	Friction disc
12	1043994	1	Bushing
13	307208	8	M10 x 1.5P x 85, HHCS
14	1044056	8	Clutch spring
15	57260	8	M10 x 1.5P Nylon lock nut
16	1044091	1	Tapered pin & nut
17	1044061	1	Outer shield kit, T40
18	1044062	1	Inner shield kit, T40

HHCS Hex Head Cap Screw

TILLER SIDE DRIVE ASSEMBLY



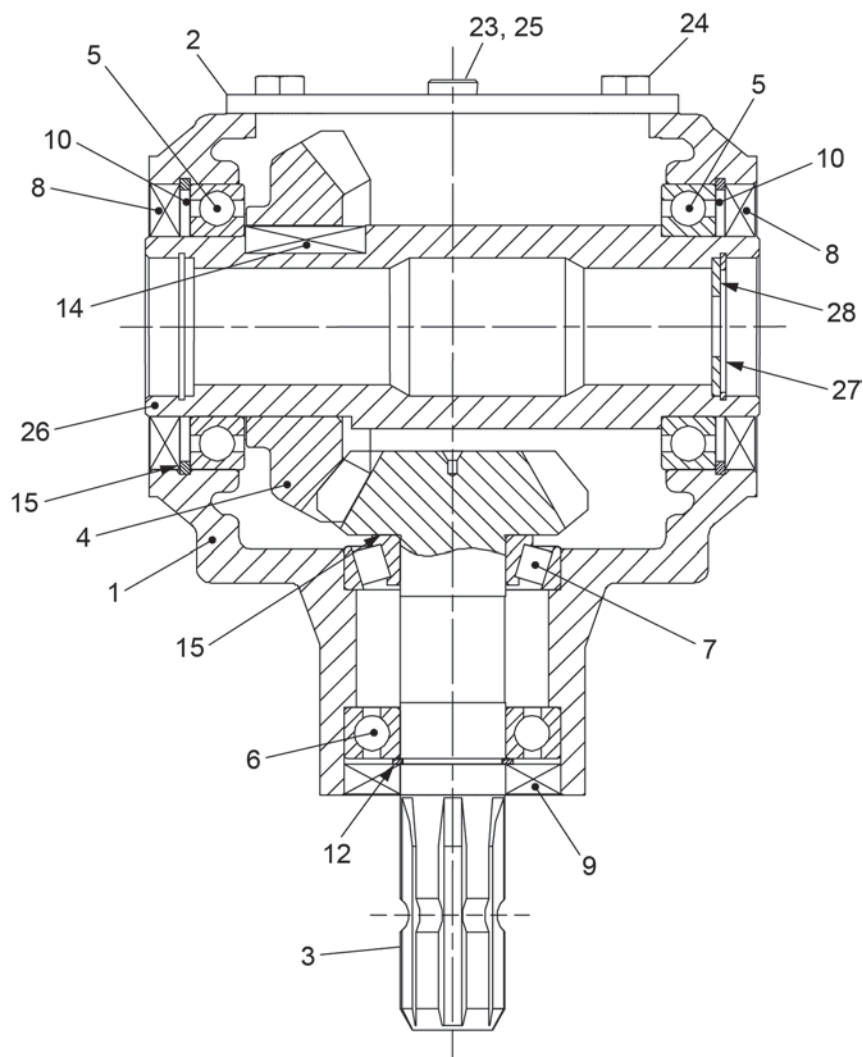
REF	PART	QTY	DESCRIPTION	REF	PART	QTY	DESCRIPTION
1	1043927	1	Plate, side drive	24	6100 *	1	1/2 NC x 1-1/4 HHCS, GR5
2	1043928	1	Housing, bearing, input	25	855 *	1	1/2 Lock washer
3	1043929	1	Spacer, 88 x 94.5 x 9.2	26	1043950	1	Bearing, 5210, no shield
4	-----	1	Oil cover (Included with 1043931)	27	1043951	1	Seal, 60 x 95 x 12
5	1043931	1	Shaft, input gear, 16T (Includes items 4, 5, 30 & 39)	28	1043952	1	Retaining ring, external, 2 x 60 mm
6	1043932	A/R	Gasket, .5 mm, input	29	1032445	2	Bearing, ball, 6012
8	1043933	1	Washer, 10.5 x 60 x 6	30	1043954	2	Retaining ring, internal, 3 x 50 mm
9	1043934	1	Gear, middle, 34T	31	1032408	1	Retaining ring, internal, 3 x 95 mm
10	1043935	1	Gear, output, 28T	32	1043956 *	17	3/8 NC x .67 HHCS
12	1043937	1	Weldment, shaft & flange output	34	300176 *	6	3/8 NC x 1 SHCS
13	1043938	1	Housing, bearing, output	36	11975	1	1/2 NPT vent plug
14	1043939	1	Spacer, 51 x 60 x 7.5	37	1043959	1	Seal, M10
15	1043940	A/R	Gasket, .5 mm, output	39	1043961	1	Washer, 20 x 49 mm
17	1043941	1	Seal ring	40	1043962	1	Washer, 13.5 x 60 x 6
18	1043942	1	Cover	41	1044782	1	Asy, top gear (Includes items 2, 3, 4, 5, 27, 28, 29, 30, 31 & 39)
19	1043943	2	Seal, 55 x 75 x 12				
20	1043944	1	Bearing, 6310, no shield				
21	1043945	1	Retaining ring, internal, 3.2 x 110 mm				
22	1263 *	7	3/8 NC x 1 HHCS, GR5				
23	838 *	29	3/8 Lock washer				

HHCS Hex Head Cap Screw

SHCS Socket Head Cap Screw

* Standard hardware, obtain locally

1042304 GEARBOX ASSEMBLY



REF	PART	QTY	DESCRIPTION	REF	PART	QTY	DESCRIPTION
A	1042304	1	Gearbox assembly 1.46:1 1.50 hex	23	39325	1	3/8 Vent plug
1	NSS	1	Gearbox housing	24	63716	4	M10-1.50P x 20 HHCS
2	1043970	1	Cap	25	27326	2	Plug, pipe 3/8 NPT
3	NSS	1	Input shaft & gear	26	NSS	1	Output shaft
4	NSS	1	Bevel gear	27	1043986	1	Snap ring, 1.5 x 45 mm internal
5	1032445	2	Ball bearing, 6012	28	1044758	1	7/8 SAE Flat washer
6	438	1	Ball bearing, 6207				
7	1032448	1	Tapered roller bearing, 30207				
8	1032437	2	Oil seal, 60 x 95 x 10				
9	1032401	1	Oil seal, 35 x 72 x 10				
10	1032408	2	Snap ring, 95 x 3 mm				
12	1007859	1	Snap ring, 35 x 1.5 mm				
14	1043992	1	Key, 14 x 9 x 33 mm				
15	1043976	A/R	Shim kit, 85.3 x 94.7; 35.5 x 48				
					NSS		Not Serviced Separately
					HHCS		Hex Head Cap Screw

37 Parts

MAN1249 (2/28/2018)

BOLT TORQUE CHART

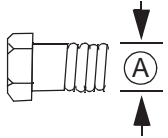
Always tighten hardware to these values unless a different torque value or tightening procedure is listed for a specific application.

Fasteners must always be replaced with the same grade as specified in the manual parts list.

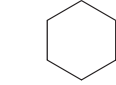
Always use the proper tool for tightening hardware: SAE for SAE hardware and Metric for metric hardware.

Make sure fastener threads are clean and you start thread engagement properly.

All torque values are given to specifications used on hardware defined by SAE J1701 MAR 99 & J1701M JUL 96.



SAE SERIES TORQUE CHART



SAE Grade 2
(No Dashes)

SAE Bolt Head Identification

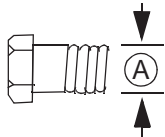


SAE Grade 5
(3 Radial Dashes)



SAE Grade 8
(6 Radial Dashes)

Ⓐ Diameter (Inches)	Wrench Size	MARKING ON HEAD					
		SAE 2		SAE 5		SAE 8	
		lbs-ft	N-m	lbs-ft	N-m	lbs-ft	N-m
1/4"	7/16"	6	8	10	13	14	18
5/16"	1/2"	12	17	19	26	27	37
3/8"	9/16"	23	31	35	47	49	67
7/16"	5/8"	36	48	55	75	78	106
1/2"	3/4"	55	75	85	115	120	163
9/16"	13/16"	78	106	121	164	171	232
5/8"	15/16"	110	149	170	230	240	325
3/4"	1-1/8"	192	261	297	403	420	569
7/8"	1-5/16"	306	416	474	642	669	907
1"	1-1/2"	467	634	722	979	1020	1383



METRIC SERIES TORQUE CHART



Metric
Grade 8.8

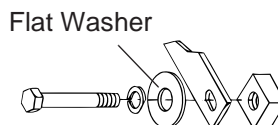
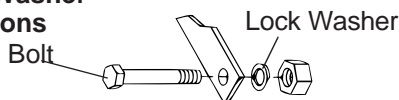
Metric Bolt Head Identification



Metric
Grade 10.9

Ⓐ Diameter & Thread Pitch (Millimeters)	Wrench Size	Coarse Thread				Fine Thread				Ⓐ Diameter & Thread Pitch (Millimeters)
		Marking on Head				Marking on Head				
		Metric 8.8		Metric 10.9		Metric 8.8		Metric 10.9		
		N-m	lbs-ft	N-m	lbs-ft	N-m	lbs-ft	N-m	lbs-ft	
6 x 1.0	10 mm	8	6	11	8	8	6	11	8	6 x 1.0
8 x 1.25	13 mm	20	15	27	20	21	16	29	22	8 x 1.0
10 x 1.5	16 mm	39	29	54	40	41	30	57	42	10 x 1.25
12 x 1.75	18 mm	68	50	94	70	75	55	103	76	12 x 1.25
14 x 2.0	21 mm	109	80	151	111	118	87	163	120	14 x 1.5
16 x 2.0	24 mm	169	125	234	173	181	133	250	184	16 x 1.5
18 x 2.5	27 mm	234	172	323	239	263	194	363	268	18 x 1.5
20 x 2.5	30 mm	330	244	457	337	367	270	507	374	20 x 1.5
22 x 2.5	34 mm	451	332	623	460	495	365	684	505	22 x 1.5
24 x 3.0	36 mm	571	421	790	583	623	459	861	635	24 x 2.0
30 x 3.0	46 mm	1175	867	1626	1199	1258	928	1740	1283	30 x 2.0

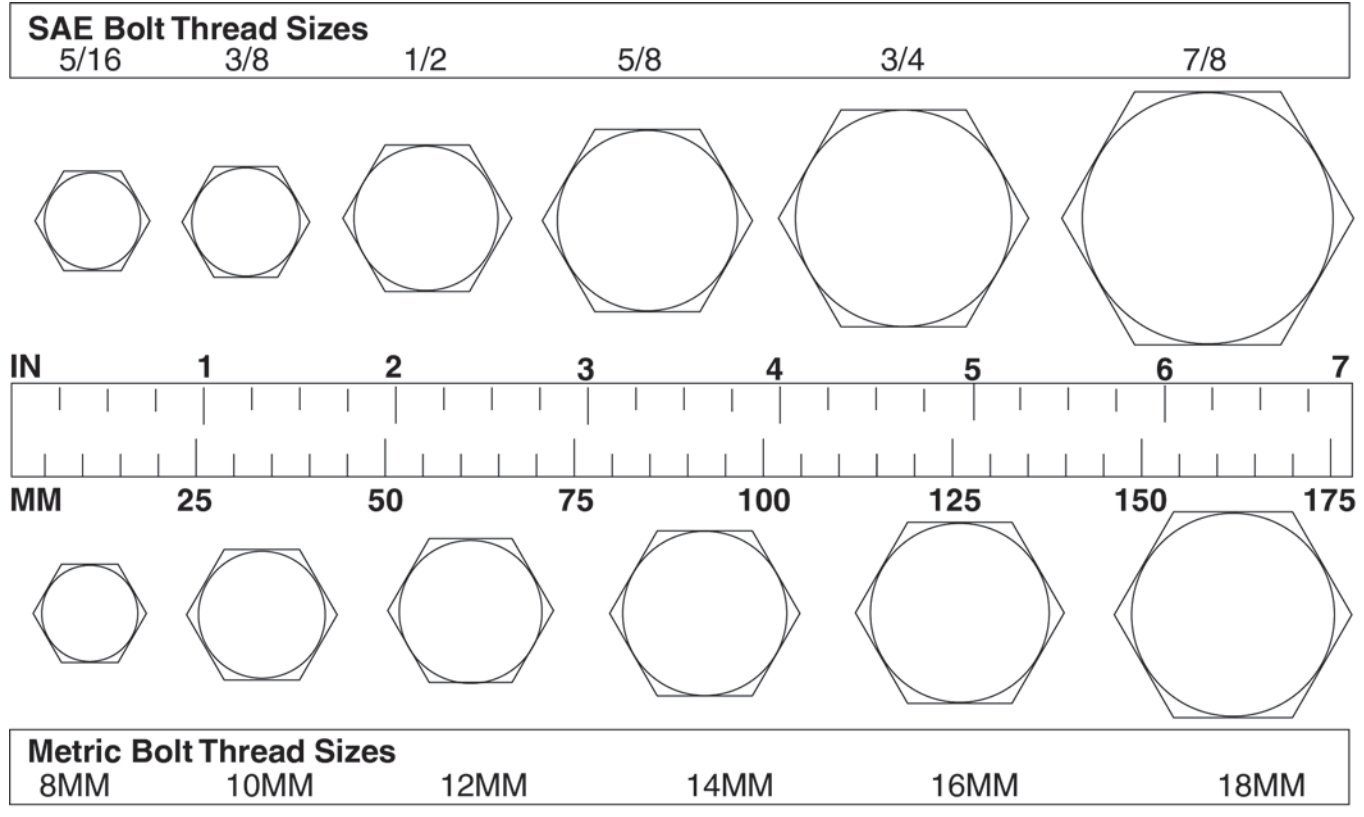
Typical Washer Installations



8/9/00

BOLT SIZE CHART

NOTE: Chart shows bolt thread sizes and corresponding head (wrench) sizes for standard SAE and metric bolts.



ABBREVIATIONS

AG.....Agriculture	MPa.....Mega Pascal
ASABE..... American Society of Agricultural & Biological Engineers (formerly ASAE)	N..... Newton
ASAE..... American Society of Agricultural Engineers	NC..... National Coarse
ATF..... Automatic Transmission Fluid	NF..... National Fine
BSPP..... British Standard Pipe Parallel	NPSM..... National Pipe Straight Mechanical
BSPTM..... British Standard Pipe Tapered Male	NPT..... National Pipe Tapered
CV..... Constant Velocity	NPT SWF..... National Pipe Tapered Swivel Female
CCW..... Counter-Clockwise	ORBM..... O-Ring Boss - Male
CW..... Clockwise	P..... Pitch
F..... Female	PBY..... Power-Beyond
FT..... Full Thread	psi..... Pounds per Square Inch
GA..... Gauge	PTO..... Power Take Off
GR (5, etc.)..... Grade (5, etc.)	QD..... Quick Disconnect
HHCS..... Hex Head Cap Screw	RH..... Right Hand
HT..... Heat-Treated	ROPS..... Roll-Over Protective Structure
JIC..... Joint Industry Council 37° Flare	RPM..... Revolutions Per Minute
LH..... Left Hand	RT..... Right
LT..... Left	SAE..... Society of Automotive Engineers
m..... Meter	UNC..... Unified Coarse
mm..... Millimeter	UNF..... Unified Fine
M..... Male	UNS..... Unified Special

WARRANTY

All Models Except Mow'n Machine™ Zero-Turn Mowers

Please Enter Information Below and Save for Future Reference.

Date Purchased: _____ From (Dealer): _____

Model Number: _____ Serial Number: _____

Woods Equipment Company ("WOODS") warrants this product to be free from defect in material and workmanship. Except as otherwise set forth below, the duration of this Warranty shall be for TWELVE (12) MONTHS COMMENCING ON THE DATE OF DELIVERY OF THE PRODUCT TO THE ORIGINAL PURCHASER.

All current model backhoes, loaders and mounts (except 3-pt. SAF-T-LOK® mounts) are warranted for two (2) years from the date of delivery to the original purchaser. The limited warranty covers any defects in the material and/or workmanship. Following the proper, recommended installation by an authorized Woods Dealer and normal use of a Woods mounting and backhoe or loader, if a tractor incurs damage resulting from the attachment, Woods will cover the existing tractor warranty in the event the manufacturer voids its tractor warranty because of the attachment. Warranty does not cover any misuse or abusive conditions that could cause premature wear or damage to attachment or tractor.

The warranty periods for specific parts or conditions are listed below:

Part or Condition Warranted	Model Number	Duration (from date of delivery to the original purchaser)
	All units invoiced after 4/30/2012	
Gearbox components	BB48X, BB60X, BB72X, BB84X, BB600X, BB720X, BB840X, BB6000X, BB7200X, BB8400X, DS12.50, TS14.60, DS1440, TS1680, DS8.30, DS10.40, DS8.50, DSO8.50, DS10.50, DSO10.50, DBH5.30, DBH6.30	6 years
	BW12, BW15, BW126X, BW180X, BW126XHD, BW180XHD, BW1260X, BW1800X, BW10.50, BW10.50Q, BW15.50, BW15.50Q, BW15.60, BW15.60Q, BW10.60, BW10.60Q	
	BW240X, BW240XHD, BW1620X, BW2400X	
	RD990X, PRD6000, PRD7200, PRD8400, S15CD, S20CD, S22CD, S25CD, S27CD, S30CD, TC/R74, TC/R68, TC/R60, TBW144, TBW180, TBW204, TSG50, S12ED, S15ED, S18ED, S20ED, TPD25, TPD35, TPD65, TPD95	
	RDC54, RD60, RD72, TBW150C, TS/R60, TS/R52, TS/R44, RC3.5, RC4, RC5, RC6	3 years (1 year if used in rental or commercial applications)
Blade spindles	RD990X, PRD6000, PRD7200, PRD8400, TBW144, TBW180, TBW204	3 years

Under no circumstances will this Warranty apply in the event that the product, in the good faith opinion of WOODS, has been subjected to improper operation, improper maintenance, misuse, or an accident. This Warranty does not apply in the event that the product has been materially modified or repaired by someone other than WOODS, a WOODS authorized dealer or distributor, and/or a WOODS authorized service center. This Warranty does not cover normal wear or tear, or normal maintenance items. This Warranty also does not cover repairs made with parts other than those obtainable through WOODS.

This Warranty is extended solely to the original purchaser of the product. Should the original purchaser sell or otherwise transfer this product to a third party, this Warranty does not transfer to the third party purchaser in any way. There are no third party beneficiaries of this Warranty.

WOODS makes no warranty, express or implied, with respect to engines, batteries, tires or other parts or accessories not manufactured by WOODS. Warranties for these items, if any, are provided separately by their respective manufacturers.

WOODS' obligation under this Warranty is limited to, at WOODS' option, the repair or replacement, free of charge, of the product if WOODS, in its sole discretion, deems it to be defective or in noncompliance with this Warranty. **The product must be returned to WOODS with proof of purchase within thirty (30) days after such defect or noncompliance is discovered or should have been discovered, routed through the dealer and distributor from whom the purchase was made, transportation charges prepaid.** WOODS shall complete such repair or replacement within a reasonable time after WOODS receives the product. **THERE ARE NO OTHER REMEDIES UNDER THIS WARRANTY. THE REMEDY OF REPAIR OR REPLACEMENT IS THE SOLE AND EXCLUSIVE REMEDY UNDER THIS WARRANTY.**

THERE ARE NO WARRANTIES WHICH EXTEND BEYOND THE DESCRIPTION ON THE FACE OF THIS WARRANTY. WOODS MAKES NO OTHER WARRANTY, EXPRESS OR IMPLIED, AND WOODS SPECIFICALLY DISCLAIMS ANY IMPLIED WARRANTY OF MERCHANTABILITY AND/OR ANY IMPLIED WARRANTY OF FITNESS FOR A PARTICULAR PURPOSE.

WOODS shall not be liable for any incidental or consequential losses, damages or expenses, arising directly or indirectly from the product, whether such claim is based upon breach of contract, breach of warranty, negligence, strict liability in tort or any other legal theory. Without limiting the generality of the foregoing, Woods specifically disclaims any damages relating to (i) lost profits, business, revenues or goodwill; (ii) loss of crops; (iii) loss because of delay in harvesting; (iv) any expense or loss incurred for labor, supplies, substitute machinery or rental; or (v) any other type of damage to property or economic loss.

This Warranty is subject to any existing conditions of supply which may directly affect WOODS' ability to obtain materials or manufacture replacement parts.

No agent, representative, dealer, distributor, serviceperson, salesperson, or employee of any company, including without limitation, WOODS, its authorized dealers, distributors, and service centers, is authorized to alter, modify, or

ALITEC™
CENTRAL FABRICATORS®
GANNON®
WAIN-ROY®
WOODS®



WOODS® | A Blount International Brand
 2606 South Illinois Route 2
 Post Office Box 1000
 Oregon, Illinois 61061 USA
 800-319-6637 tel
 800-399-6637 fax
 woodsequipment.com



WARRANTY

(Replacement Parts For All Models Except Mow'n Machine™
Zero-Turn Mowers and Woods Boundary™ Utility Vehicles)

Woods Equipment Company ("WOODS") warrants this product to be free from defect in material and workmanship for a period of ninety (90) days from the date of delivery of the product to the original purchaser with the exception of V-belts, which will be free of defect in material and workmanship for a period of 12 months.

Under no circumstances will this Warranty apply in the event that the product, in the good faith opinion of WOODS, has been subjected to improper operation, improper maintenance, misuse, or an accident. This Warranty does not cover normal wear or tear, or normal maintenance items.

This Warranty is extended solely to the original purchaser of the product. Should the original purchaser sell or otherwise transfer this product to a third party, this Warranty does not transfer to the third party purchaser in any way. There are no third party beneficiaries of this Warranty.

WOODS' obligation under this Warranty is limited to, at WOODS' option, the repair or replacement, free of charge, of the product if WOODS, in its sole discretion, deems it to be defective or in noncompliance with this Warranty. **The product must be returned to WOODS with proof of purchase within thirty (30) days after such defect or noncompliance is discovered or should have been discovered, routed through the dealer and distributor from whom the purchase was made, transportation charges prepaid.** WOODS shall complete such repair or replacement within a reasonable time after WOODS receives the product. THERE ARE NO OTHER REMEDIES UNDER THIS WARRANTY. THE REMEDY OF REPAIR OR REPLACEMENT IS THE SOLE AND EXCLUSIVE REMEDY UNDER THIS WARRANTY.

THERE ARE NO WARRANTIES WHICH EXTEND BEYOND THE DESCRIPTION ON THE FACE OF THIS WARRANTY. WOODS MAKES NO OTHER WARRANTY, EXPRESS OR IMPLIED, AND WOODS SPECIFICALLY DISCLAIMS ANY IMPLIED WARRANTY OF MERCHANTABILITY AND/OR ANY IMPLIED WARRANTY OF FITNESS FOR A PARTICULAR PURPOSE.

WOODS shall not be liable for any incidental or consequential losses, damages or expenses, arising directly or indirectly from the product, whether such claim is based upon breach of contract, breach of warranty, negligence, strict liability in tort or any other legal theory. Without limiting the generality of the foregoing, Woods specifically disclaims any damages relating to (i) lost profits, business, revenues or goodwill; (ii) loss of crops; (iii) loss because of delay in harvesting; (iv) any expense or loss incurred for labor, supplies, substitute machinery or rental; or (v) any other type of damage to property or economic loss.

This Warranty is subject to any existing conditions of supply which may directly affect WOODS' ability to obtain materials or manufacture replacement parts.

No agent, representative, dealer, distributor, service person, salesperson, or employee of any company, including without limitation, WOODS, its authorized dealers, distributors, and service centers, is authorized to alter, modify, or enlarge this Warranty.

Answers to any questions regarding warranty service and locations may be obtained by contacting:

WOODS® | A Blount International Brand

2606 South Illinois Route 2
Post Office Box 1000
Oregon, Illinois 61061 USA

800-319-6637 tel
800-399-6637 fax
woodsequipment.com



ALITEC™
CENTRAL FABRICATORS®
GANNON®
WAIN-ROY®
WOODS®

PART NO.
MAN1249

WOODS® | A Blount International Brand

2606 South Illinois Route 2
Post Office Box 1000
Oregon, Illinois 61061 USA

800-319-6637 tel
800-399-6637 fax
woodsequipment.com

WOODS®

© 2018 Woods Equipment Company. All rights reserved. Woods® and the Woods logo are trademarks of Woods Equipment Company. All other trademarks, trade names, or service marks not owned by Woods Equipment Company that appear in this manual are the property of their respective companies or mark holders. Specifications subject to change without notice.